

FRAMELESS GLASS RAILINGS



STATIC STUDIO

GAMIN



Faculty of Civil Engineering



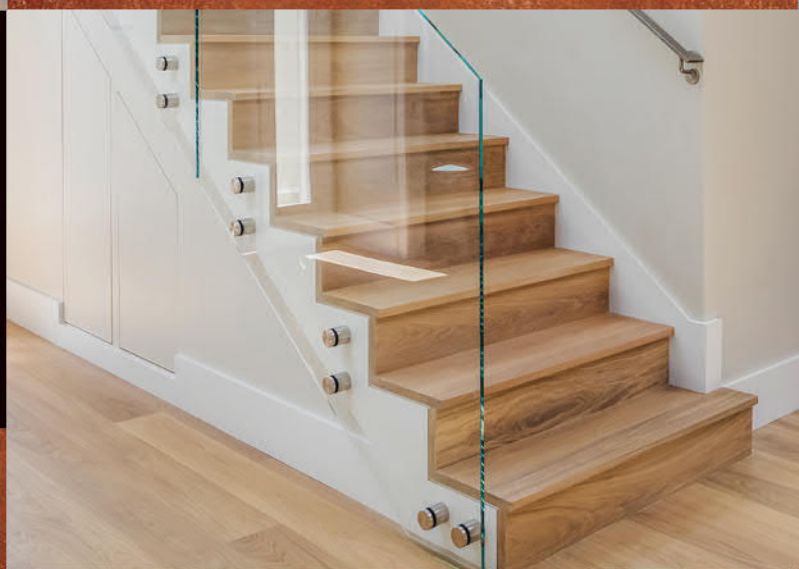
TESTED BY
RISE
SWEDEN



1 AL PROFILE SYSTEMS

4 - 69

2 GLASS ADAPTERS



70 - 79



3 SPIGOTS

80 - 85

4 GLASS CONNECTORS HANDRAIL HOLDERS FOR GLASS



86 - 93



5

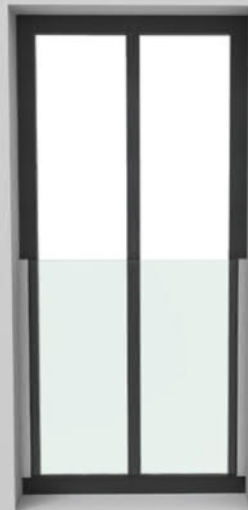
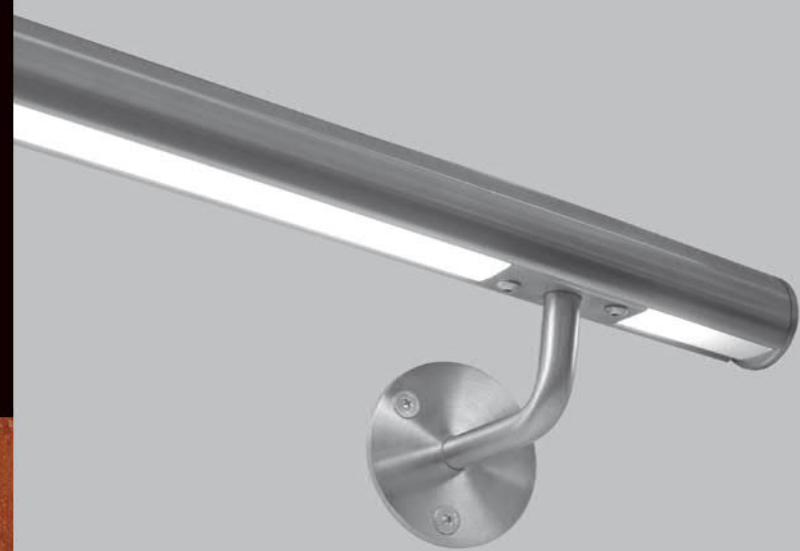
CAP RAILS

94 - 109

6

**LED
HANDRAILS**

110 - 117



7

JULIET BALCONY

118 - 119

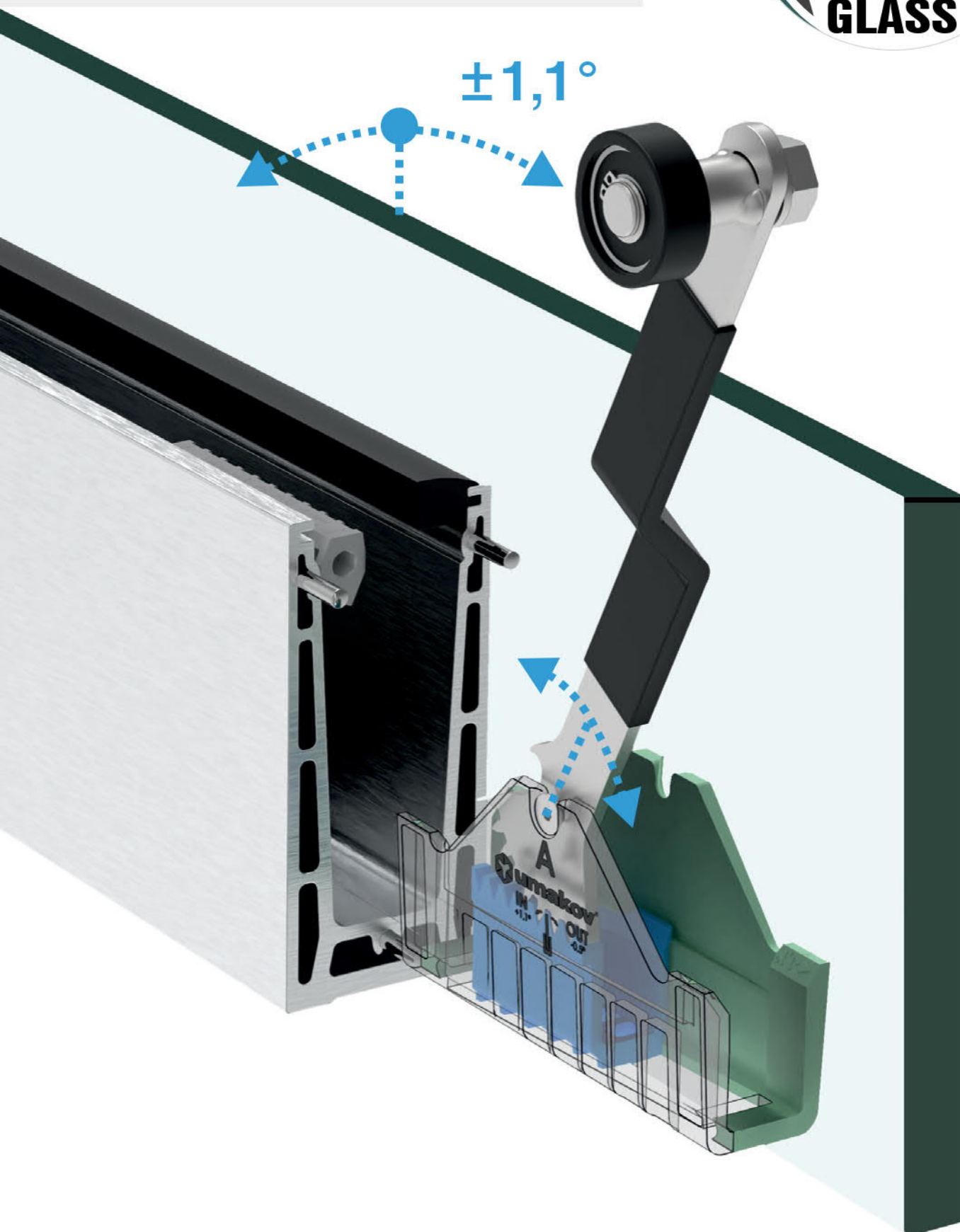
8

ACCESSORIES

120 - 136



1 AL PROFILE SYSTEMS





**U PROFILES
TOP MOUNT
FIX**

AL/0004
AL/0004-ECO
AL/NX50-SEG
AL/CL40-SEG
AL/0008



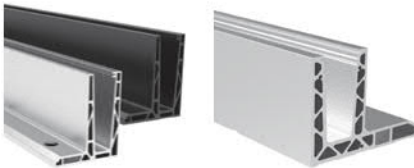
**FLEX
FIX, FLEX**

AL/0004-LIGHT
AL/0004-UnoXL
AL/0004-PRO
AL/0008-ProXL
AL/0019



**L PROFILES
TOP MOUNT
FIX**

AL/0006
AL/0006-ECO



FIX, FLEX

AL/0006-UNO
AL/0018



**U PROFILES
SIDE MOUNT
FIX**

AL/0005-D
AL/0009

FLEX

AL/0005-UNO



**Y PROFILES
SIDE MOUNT
FIX**

AL/0011

FLEX

AL/0011-LIGHT

FIX, FLEX

AL/0011-ProXL



**GLASS
SETS**

AL/ZALVR...004
AL/ZALVR...006
AL/ZALBR...005
AL/ZALBR...011

U PROFILES

SIDE MOUNT

Material	Finish	Effect	art.	L	G/h	12	12,76	16,76	17,52	20,76	21,52	24,76	25,52	30,76	31,52	kg/m	FLEX	FLEX1	FLEX2	FIX	FIX1	FIX2	COVERS		
ANODIZED ALUMINIUM	satin		AL/0005-UNO-2500-S-E	2500																					
			AL/0005-UNO-5000-S-E	5000	1kN	■	■	■	■									-	■	-	-	-	-	-	✓
			AL/0005-UNO-6000-S-E	6000																					
	black		AL/0005-D-1250-S-E	1250																					
			AL/0005-D-2500-S-E	2500																					
			AL/0005-D-5000-S-E	5000	2,5kN	●	●	●	●	●	●	●						6,3	-	-	-	●	-	-	-
	silver		AL/0005-D-6000-S-E	6000																					
			AL/0009-2500-S-E	2500	3kN													8,6	-	-	-	●	-	-	-
			AL/0009-5000-S-E	5000																					

Y PROFILES

SIDE MOUNT

Material	Finish	Effect	art.	L	G/h	12	12,76	16,76	17,52	20,76	21,52	24,76	25,52	30,76	31,52	kg/m	FLEX	FLEX1	FLEX2	FIX	FIX1	FIX2	COVERS		
ANODIZED ALUMINIUM	natural		AL/0011-1250-N-E	1250																					
			AL/0011-2500-N-E	2500																					
			AL/0011-5000-N-E	5000	3kN	●	●	●	●	●	●	●						9	-	-	-	●	-	-	-
	silver		AL/0011-6000-N-E	6000																					
			AL/0011-2500-N-EB	2500																					
			AL/0011-5000-N-EB	5000																					
	black		AL/0011-LIGHT-2500-N-E	2500																					
			AL/0011-LIGHT-5000-N-E	5000	0,5 kN	■	■	■	■									4,9	-	■	-	-	-	-	✓
			AL/0011-LIGHT-6000-N-E	6000																					
silver		AL/0011-ProXL-2500-N-E	2500																						
		AL/0011-ProXL-5000-N-E	5000	2kN			■	■	■	■	●	●					8,5	-	-	■	-	-	●	✓	
		AL/0011-ProXL-6000-N-E	6000																						

CONFIGURATOR

RAILING

umakov
Base > Railing > Planning > View > Shopping Cart
🇧🇪 🇩🇪 🇬🇧

Railing 0
Railing 1

Railing 0

918mm

10mm

1030mm

X

CHOOSE HEIGHT

1200mm | 1000mm | 900mm

CHOOSE WIDTH OF GLASS

15mm | 10mm | 5mm

CHOOSE HANDLE

Hranaty | Obyj

CHOOSE HANDLE MATERIAL

Nerez | Hlinik | Ocof

CHOOSE PROFILE MATERIAL

Nerez | Hlinik | Ocof

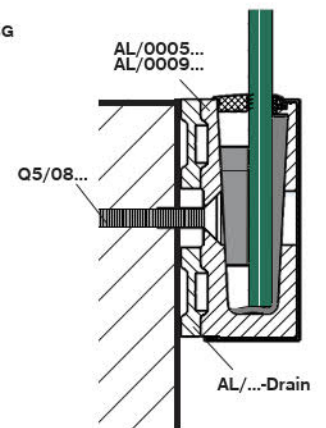
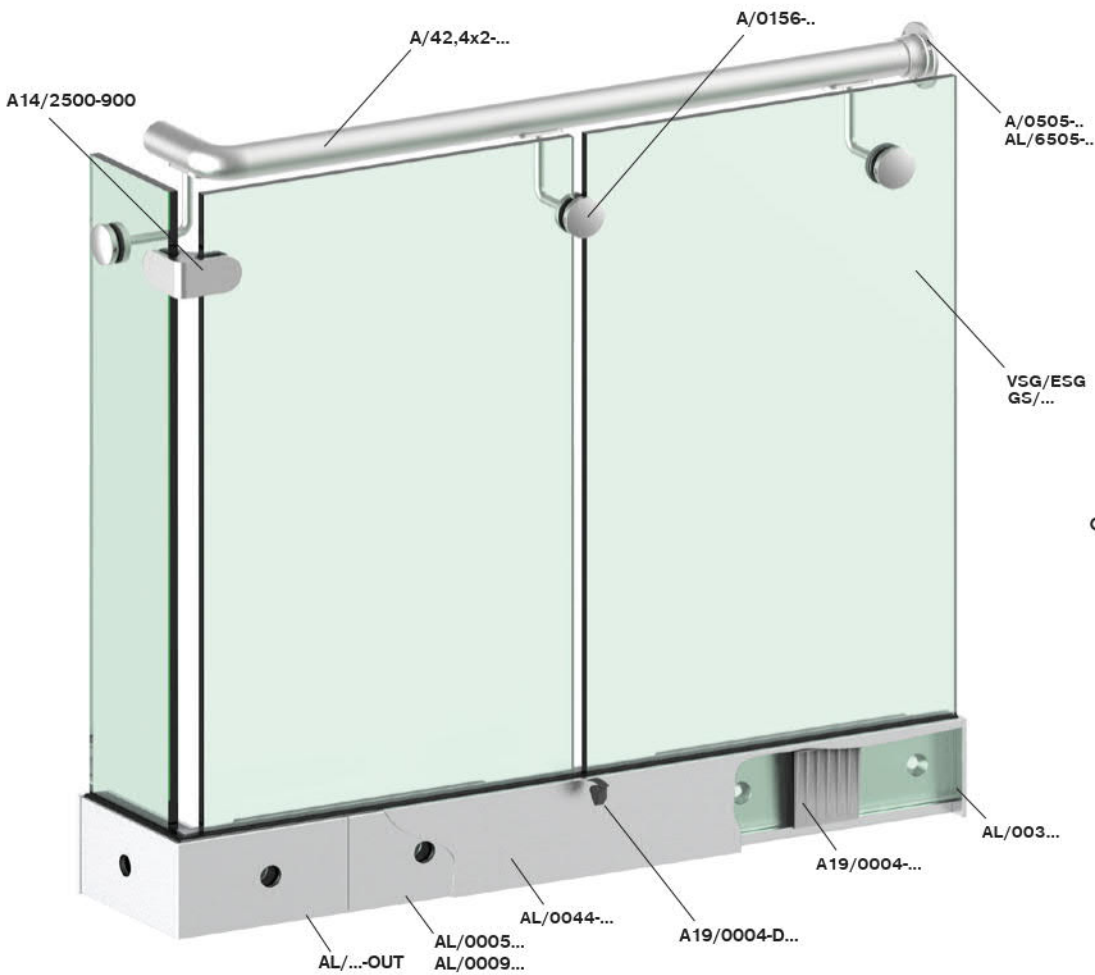
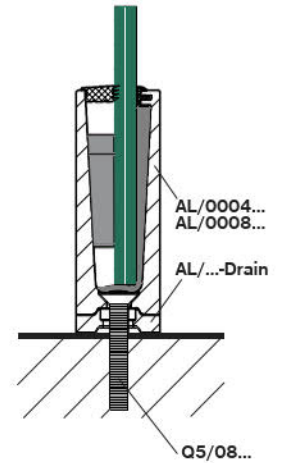
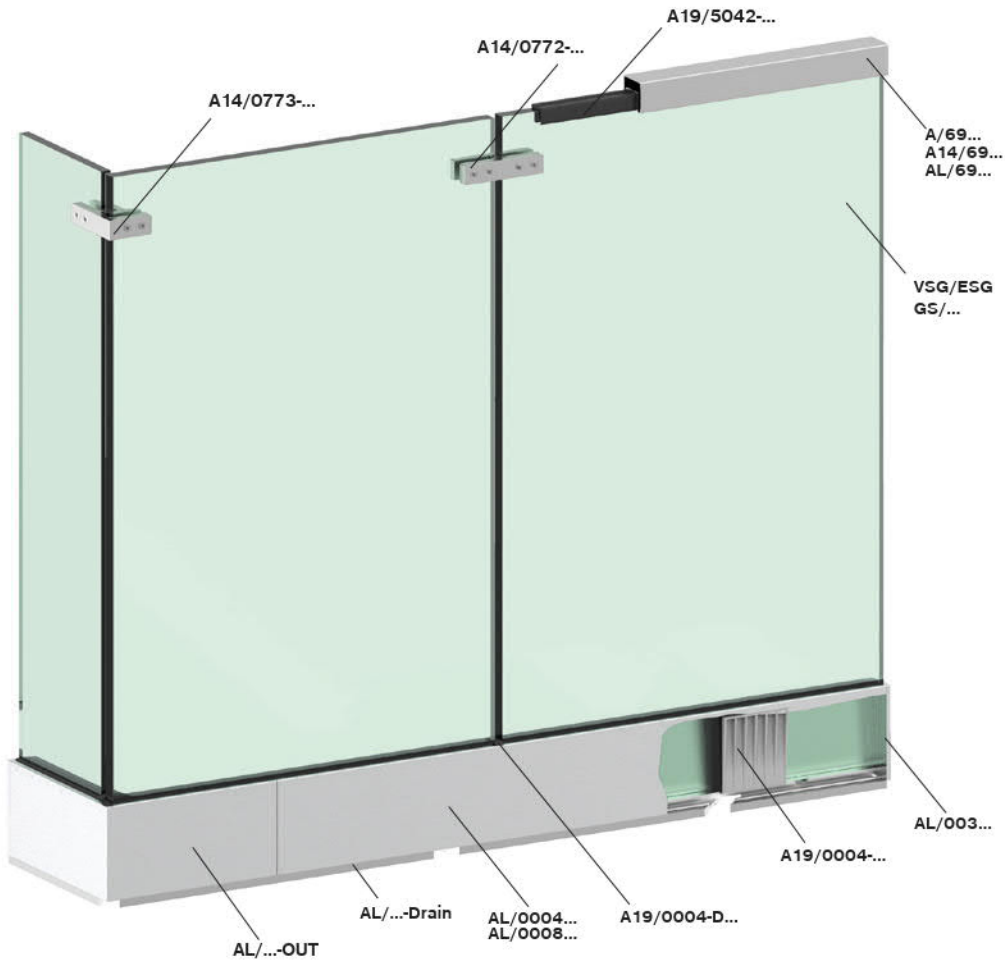
CONTINUE

SOON

new

new

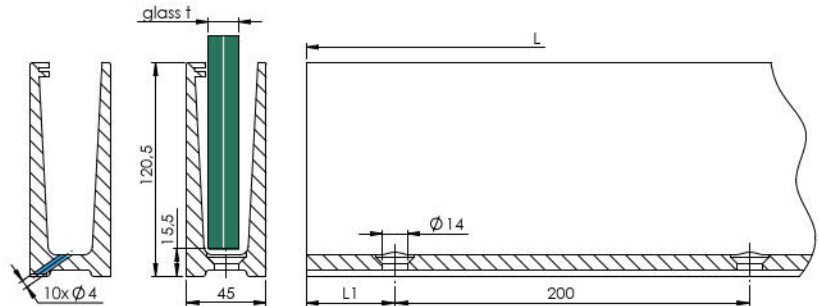




MODEL 0004 FIX series



TESTED BY STATIC STUDIO **RISE** SWEDEN



AL/0004...S-E-Drain

AL/0004...S-E
AL/0004...S-VA...

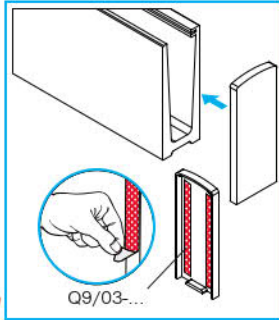
Material	Finish	Effect	art.	L	L1	G/h	glass t			
ANODIZED ALUMINIUM	silver		AL/0004-1250-S-E	1250					AL/0004-S-E-Drain	
			AL/0004-2500-S-E	2500	50			✓		
			AL/0004-5000-S-E	5000						
	black		AL/0004-6000-S-E	6000						
			AL/0004-5000-S-E-Drain	5000		100	1kN	12,00-21,52		built in drain
			AL/0004-5000-S-EB-Drain	5000						
INOX		AL/0004-2500-S-VA-EXCLUSI	2500	50				✓		
		AL/0004-5000-S-VA-EXCLUSI	5000	100						



...ANGLE

Material	Finish	Effect	art.
ANODIZED ALUMINIUM	silver		AL/0034-004-S-E
			AL/0034-004-S-VA-EX
			AL/0034-004-S-E-ANGLE

new

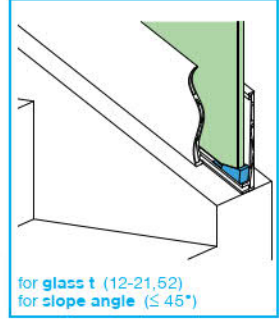


Q9/03...

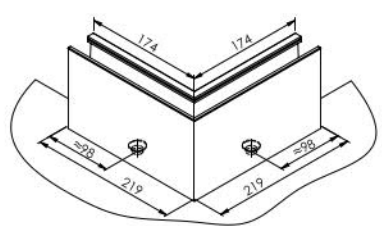


new

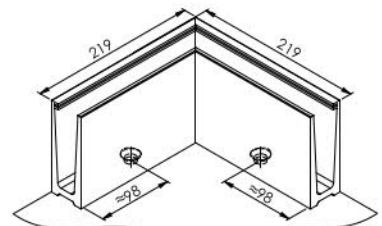
Quality	Finish	art.
PETG	gray	A19/glass-stop



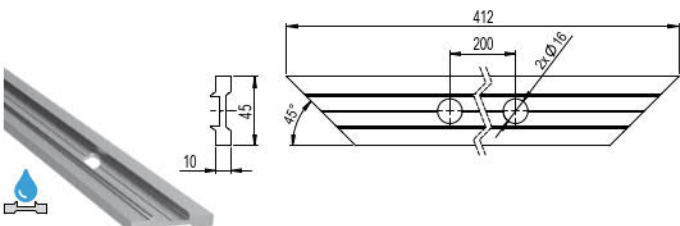
for glass t (12-21,52)
for slope angle (≤ 45°)



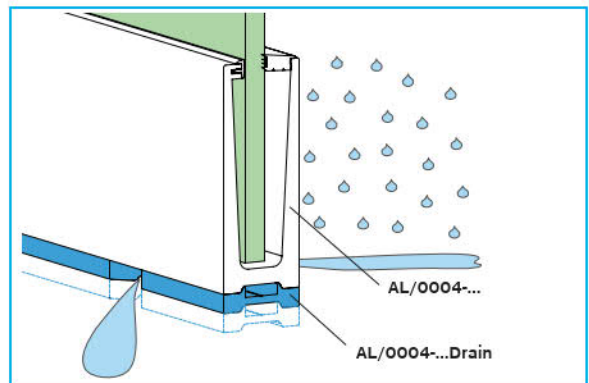
Material	Finish	Effect	art.
ANODIZED ALUMINIUM	silver		AL/0004-S-E-90-IN
			AL/0004-S-VA-EX-90-IN



Material	Finish	Effect	art.
ANODIZED ALUMINIUM	silver		AL/0004-S-E-90-OUT
			AL/0004-S-VA-EX-90-OUT



Material	Finish	Effect	art.	compatibility	pcs
ANODIZED ALUMINIUM	silver		AL/0004-S-E-Drain	AL/0004-1250...	4
				AL/0004-2500...	7
				AL/0004-5000...	13
				AL/0004-6000...	15



MODEL 0004 FIX series

Glass t (mm)	L (m)	art.
12 (12)	2,5	A19/0004-012-02.5
	5	A19/0004-012-05.0
	25	A19/0004-012-25.0
12,76 (66.2)	2,5	A19/0004-013-02.5
	5	A19/0004-013-05.0
	25	A19/0004-013-25.0
16,76 (88.2)	2,5	A19/0004-017-02.5
	5	A19/0004-017-05.0
	25	A19/0004-017-25.0
17,52 (88.4)	2,5	A19/0004-018-02.5
	5	A19/0004-018-05.0
	25	A19/0004-018-25.0
20,76 (1010.2)	2,5	A19/0004-021-02.5
	5	A19/0004-021-05.0
	25	A19/0004-021-25.0
21,52 (1010.4)	2,5	A19/0004-022-02.5
	5	A19/0004-022-05.0
	25	A19/0004-022-25.0

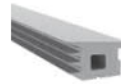
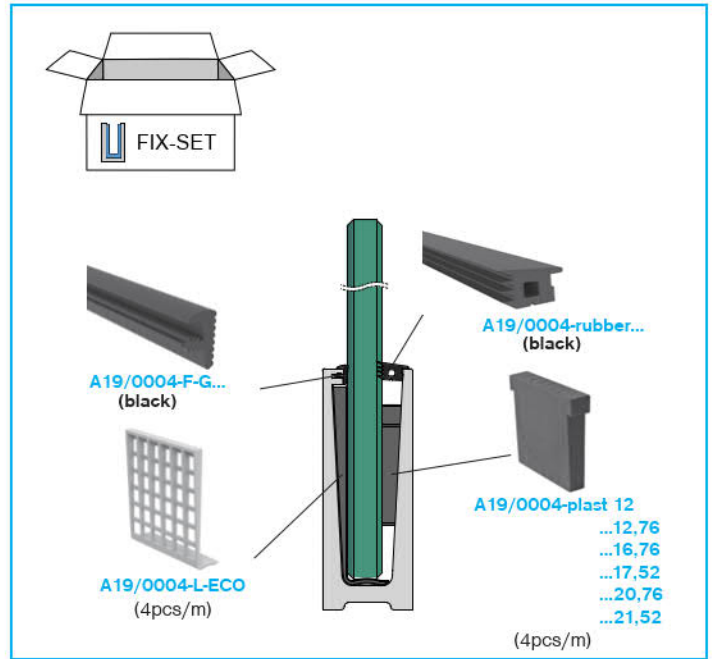


PVC-P - interior



EPDM - exterior

Quality	Finish	art.	L(m)	glass t
Rubber	gray (interier)	A19/0004-F-G-02.5	2,5	12-21,52
		A19/0004-F-G-05.0	5	
		A19/0004-F-G-25.0	25	
	black (exterier)	A19/0004-F-B-02.5	2,5	
		A19/0004-F-B-05.0	5	
		A19/0004-F-B-06.0	6	
A19/0004-F-B-25.0	25			



PVC-P - interior

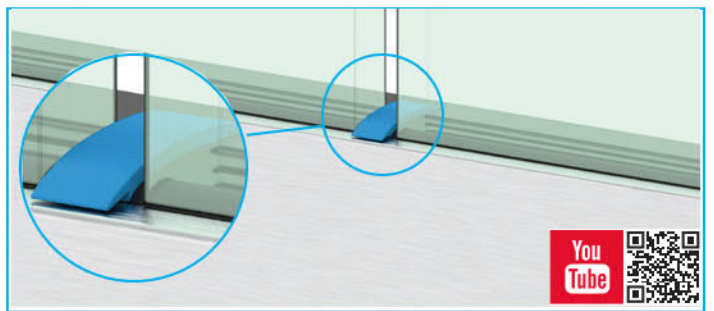


EPDM - exterior

Quality	Finish	art.	L(m)	glass t		
Rubber	gray (interier)	A19/0004-17-18-G-02.5	2,5	16,76-17,52		
		A19/0004-17-18-G-05.0	5			
		A19/0004-17-18-G-25.0	25			
		black (exterier)	A19/0004-rubber12-13-02.5		2,5	12,76-13,52
			A19/0004-rubber12-13-05.0		5	
			A19/0004-rubber12-13-06.0		6	
	A19/0004-rubber12-13-25.0		25			
	black (exterier)	A19/0004-rubber17-18-02.5	2,5	16,76-17,52		
		A19/0004-rubber17-18-05.0	5			
		A19/0004-rubber17-18-06.0	6			
		A19/0004-rubber17-18-25.0	25			
		black (exterier)	A19/0004-rubber21-22-02.5		2,5	20,76-21,52
			A19/0004-rubber21-22-05.0		5	
	A19/0004-rubber21-22-06.0		6			
	A19/0004-rubber21-22-25.0		25			



Quality	Finish	art.	L	glass t
Rubber	black	A19/0004-D-B-100	100	12-21,52



AL/0004 ANCHORS			+	
	CHEMICAL	5pcs/m		1pcs/2,5m
	MECHANICAL	5pcs/m		

AL ANCHORS → 62-63

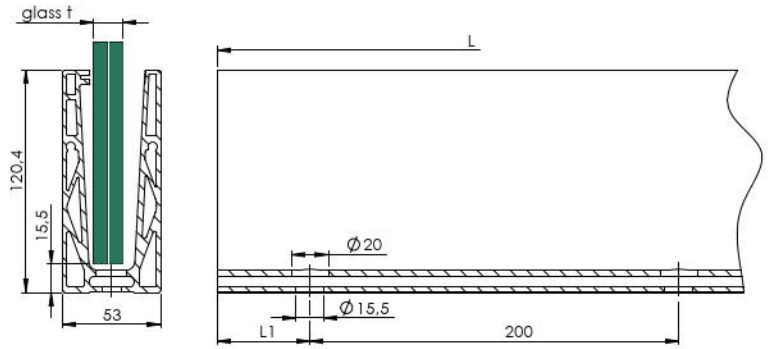
new

Material	Finish	art.
AISI304	natural	Q10/ANGLE-0-3-60

new

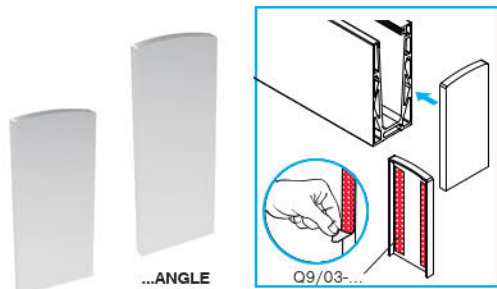
Material	Finish	art.
AISI304	natural	Q10/60-M16/M10

MODEL 0004-ECO FIX series



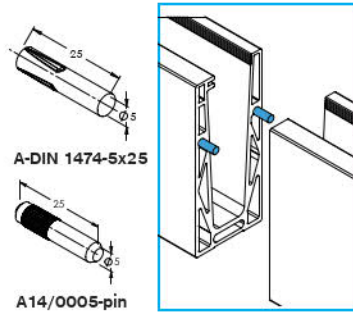
Material	Finish	Effect	art.	L	L1	G/h	glass t	AL/0004-ECO-Drain
ANODIZED ALUMINIUM	satin		AL/0004-ECO-2500-S-E	2500	50	1kN	12,00-21,52	✓
		silver	AL/0004-ECO-5000-S-E	5000	100			
			AL/0004-ECO-6000-S-E	6000	100			
		black	AL/0004-ECO-2500-S-EB	2500	50			
		AL/0004-ECO-5000-S-EB	5000	100				
	natural	silver	AL/0004-ECO-6000-N	6000	100			

new



Material	Finish	Effect	art.
ANODIZED ALUMINIUM	satin	silver	AL/0034-004-ECO-S-E
		black	AL/0034-004-ECO-S-EB
		silver	AL/0034-004-ECO-S-E-ANGLE

new



Material	Finish	art.
AISI304		A-DIN 1474-5x25
AISI316	satin	A14/0005-pin

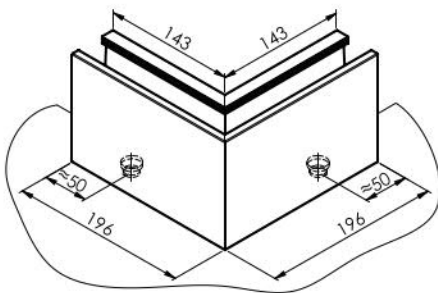
new



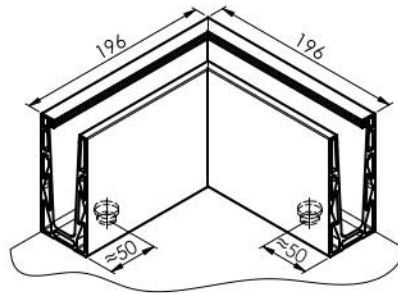
Material	Finish	art.
AISI304	natural	Q10/ANGLE-O-3-60

Material	Finish	art.
AISI304	natural	Q10/60-M16/M10

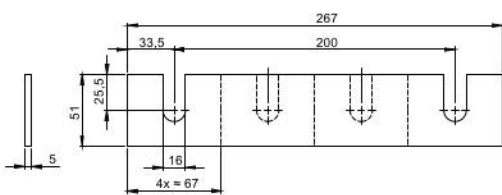
new



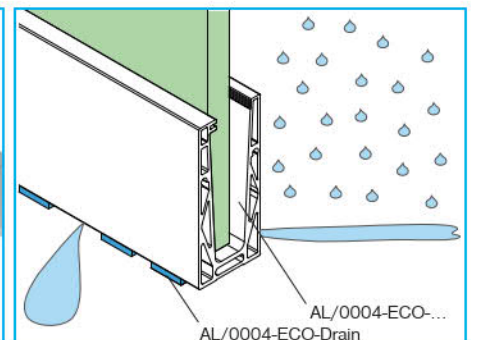
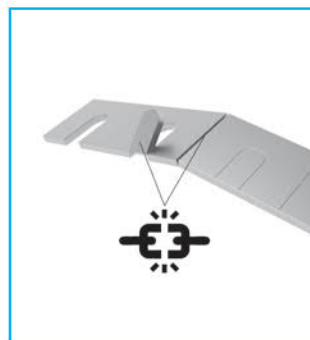
Material	Finish	Effect	art.
ANODIZED ALUMINIUM	satin	silver	AL/0004-ECO-S-E-90-IN
		black	AL/0004-ECO-S-EB-90-IN



Material	Finish	Effect	art.
ANODIZED ALUMINIUM	satin	silver	AL/0004-ECO-S-E-90-OUT
		black	AL/0004-ECO-S-EB-90-OUT

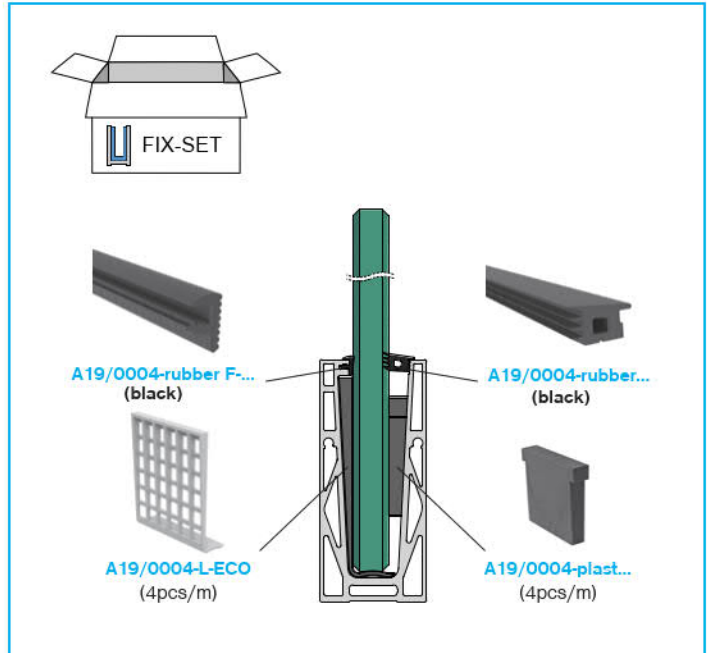


Material	Finish	art.	compatibility	Pcs/m
AISI304	satin	A/0004-ECO-Drain	AL/0004-ECO-...-S-E AL/0004-ECO-...-S-EB	2.5



MODEL 0004-ECO FIX series

Glass t (mm)	L (m)	art.
12 (12)	2,5	A19/0004-012-02.5
	5	A19/0004-012-05.0
	25	A19/0004-012-25.0
12,76 (66.2)	2,5	A19/0004-013-02.5
	5	A19/0004-013-05.0
	25	A19/0004-013-25.0
16,76 (88.2)	2,5	A19/0004-017-02.5
	5	A19/0004-017-05.0
	25	A19/0004-017-25.0
17,52 (88.4)	2,5	A19/0004-018-02.5
	5	A19/0004-018-05.0
	25	A19/0004-018-25.0
20,76 (1010.2)	2,5	A19/0004-021-02.5
	5	A19/0004-021-05.0
	25	A19/0004-021-25.0
21,52 (1010.4)	2,5	A19/0004-022-02.5
	5	A19/0004-022-05.0
	25	A19/0004-022-25.0

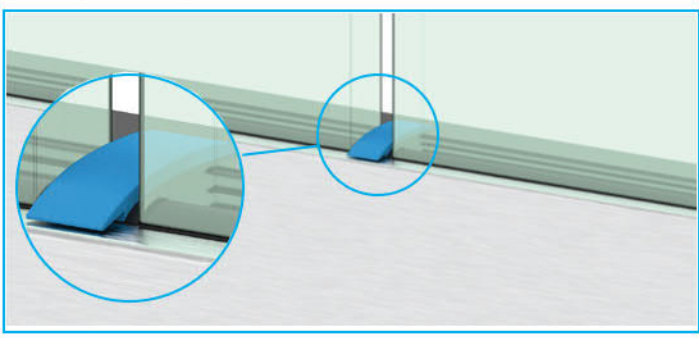


Quality	Finish	art.	L(m)	glass t
Rubber	gray (interier)	A19/0004-F-G-02.5	2,5	12-21,52
		A19/0004-F-G-05.0	5	
		A19/0004-F-G-25.0	25	
	black (exterier)	A19/0004-F-B-02.5	2,5	
		A19/0004-F-B-05.0	5	
		A19/0004-F-B-06.0	6	
A19/0004-F-B-25.0	25			

Quality	Finish	art.	L(m)	glass t		
Rubber	gray (interier)	A19/0004-17-18-G-02.5	2,5	16,76-17,52		
		A19/0004-17-18-G-05.0	5			
		A19/0004-17-18-G-25.0	25			
		black (exterier)	A19/0004-rubber12-13-02.5		2,5	12,76-13,52
			A19/0004-rubber12-13-05.0		5	
			A19/0004-rubber12-13-06.0		6	
	A19/0004-rubber12-13-25.0		25			
	A19/0004-rubber17-18-02.5		2,5	16,76-17,52		
	A19/0004-rubber17-18-05.0		5			
	A19/0004-rubber17-18-06.0	6				
	A19/0004-rubber17-18-25.0	25	20,76-21,52			
	A19/0004-rubber21-22-02.5	2,5				
	A19/0004-rubber21-22-05.0	5				
	A19/0004-rubber21-22-06.0	6				
	A19/0004-rubber21-22-25.0	25				



art.	use
AL/glass-mont-PRO	FLEX/FIX <i>new</i>



Quality	Finish	art.	L	glass t
Rubber	black	A19/0004-D-B-100	100	12-21,52

AL/0004-ECO

AL ANCHORS → **62-63**

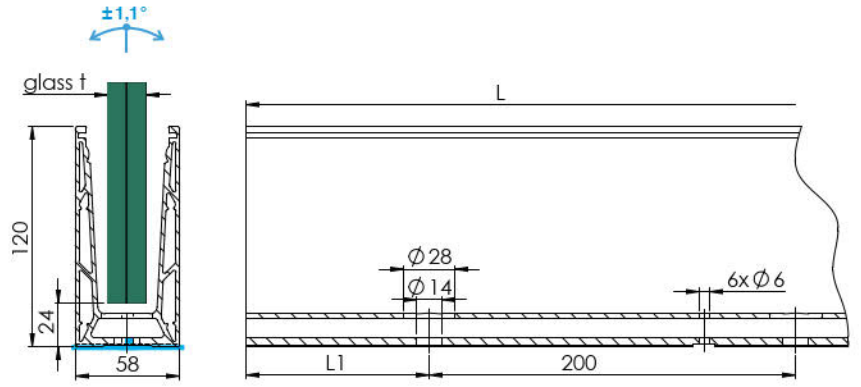
ANCHORS	CHEMICAL	MECHANICAL
	5pcs /m	5pcs/m
	5pcs /m	5pcs/m
	5pcs /m	5pcs/m
	1pcs /2,5m	

A19/glass-stop *new*

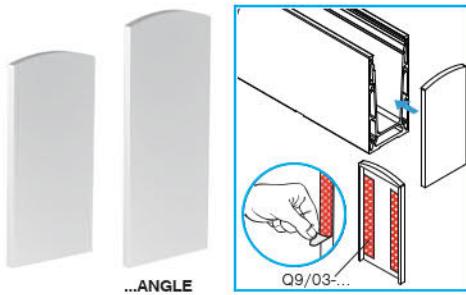
for glass t (12-21,52)
for slope angle (≤ 45°)

Quality	Finish	art.
PETG	gray	A19/glass-stop

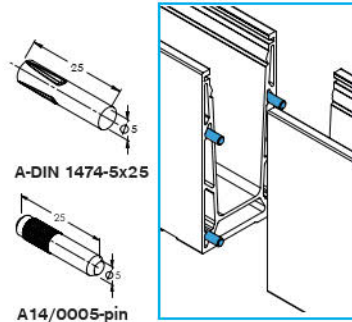
MODEL 0004-LIGHT FLEX series



Material	Finish	Effect	art.	L	G/h	L1	glass t				
ANODIZED ALUMINIUM	satin	silver	AL/0004-LIGHT-2500-S-E	2500		50					
			AL/0004-LIGHT-5000-S-E	5000	0,5kN	100	12,00-17,52	built in drain	✓	±1,1°	<i>new</i>
			AL/0004-LIGHT-6000-S-E	6000							



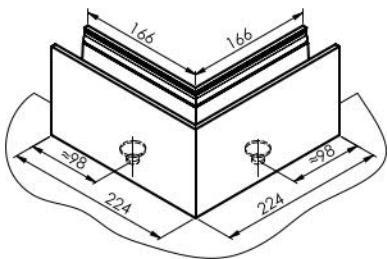
Material	Finish	Effect	art.
ANODIZED ALUMINIUM	satin	silver	AL/0034-004-LIGHT-S-E
			AL/0034-004-LIGHT-S-E-ANG <i>new</i>



Material	Finish	art.
AISI304		A-DIN 1474-5x25 <i>new</i>
AISI316	satin	A14/0005-pin <i>new</i>



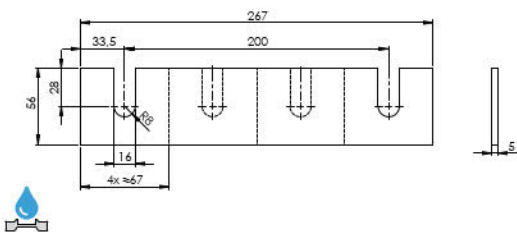
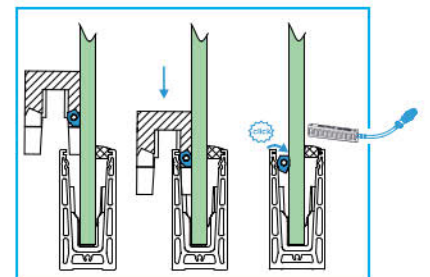
Material	Finish	art.
AISI304	natural	Q10/ANGLE-0-3-60 <i>new</i>
AISI304	natural	Q10/60-M16/M10 <i>new</i>



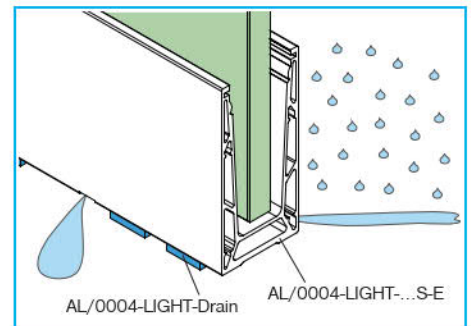
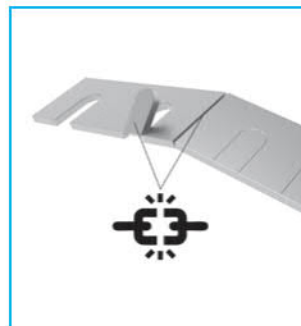
Material	Finish	Effect	art.
ANODIZED ALUMINIUM	satin	silver	AL/0004-LIGHT-S-E-90 <i>new</i>



Quality	Finish	art.
PETG	gray	MP/excenter-mount <i>new</i>

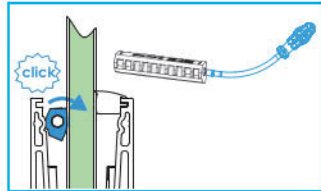


Material	Finish	art.	compatibility	Pcs/m
AISI304	satin	A/0004-LIGHT-Drain	AL/0004-LIGHT-...	2,5

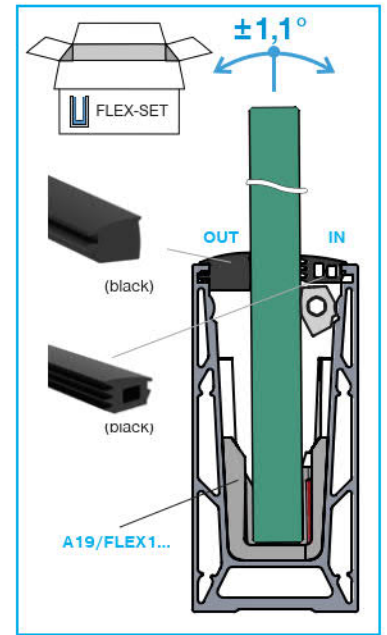


MODEL 0004-LIGHT FLEX series

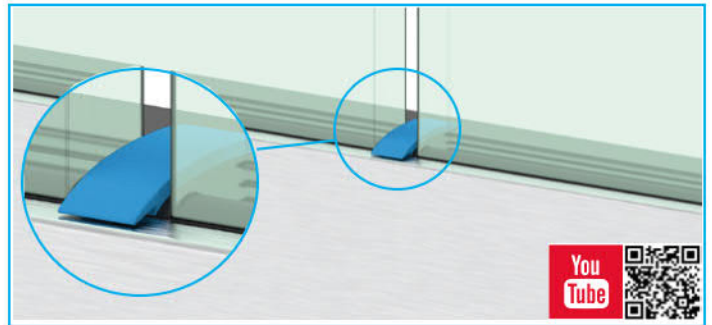
Glass t (mm)	L (m)	FIX	FLEX $\pm 1.1^\circ$
12 (12)	2,5 5		A19/FLEX1-012-SET-02.5 A19/FLEX1-012-SET-05.0
12,76 (6.6.2)	2,5 5		A19/FLEX1-013-SET-02.5 A19/FLEX1-013-SET-05.0
16,76 (8.8.2)	2,5 5		A19/FLEX1-017-SET-02.5 A19/FLEX1-017-SET-05.0
17,52 (8.8.4)	2,5 5		A19/FLEX1-018-SET-02.5 A19/FLEX1-018-SET-05.0



art.	total length	ext. square
Q8/70-275-PRO	275mm	1/4"



Quality	Finish	art.	L	glass t
Rubber	black	A19/0004-D-B-100	100	12-21,52



AL/glass-mont-PRO

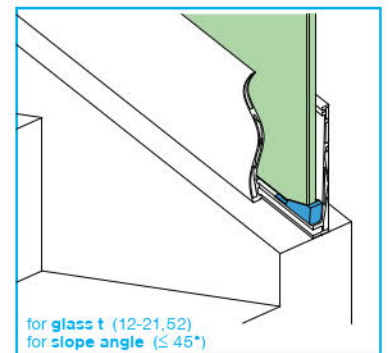


new

art.	use
AL/glass-mont-PRO	FLEX/FIX

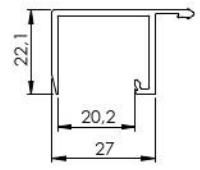
new

Quality	Finish	art.
PETG	gray	A19/glass-stop

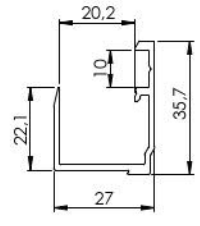
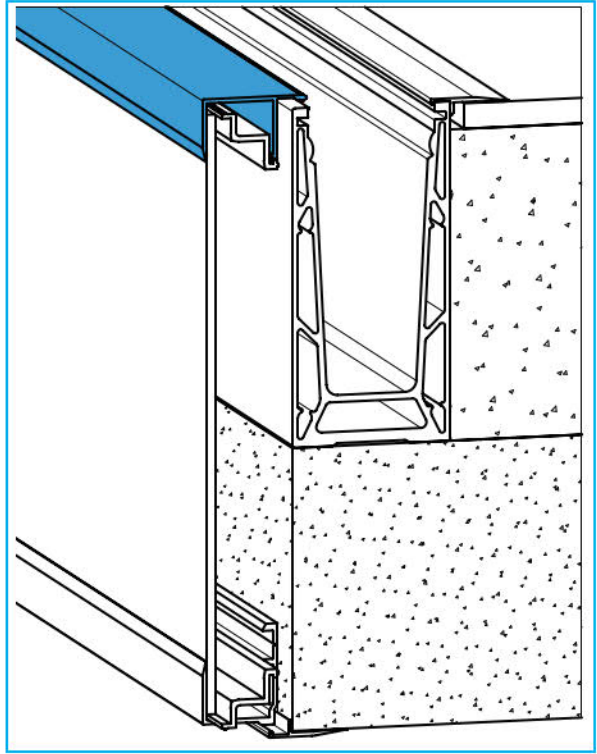


AL/0004-LIGHT		AL ANCHORS				62-63	
CHEMICAL		5pcs/m	5pcs/m	5pcs/m	5pcs/m	5pcs/m	1pcs/2,5m
MECHANICAL		5pcs/m	5pcs/m	5pcs/m			

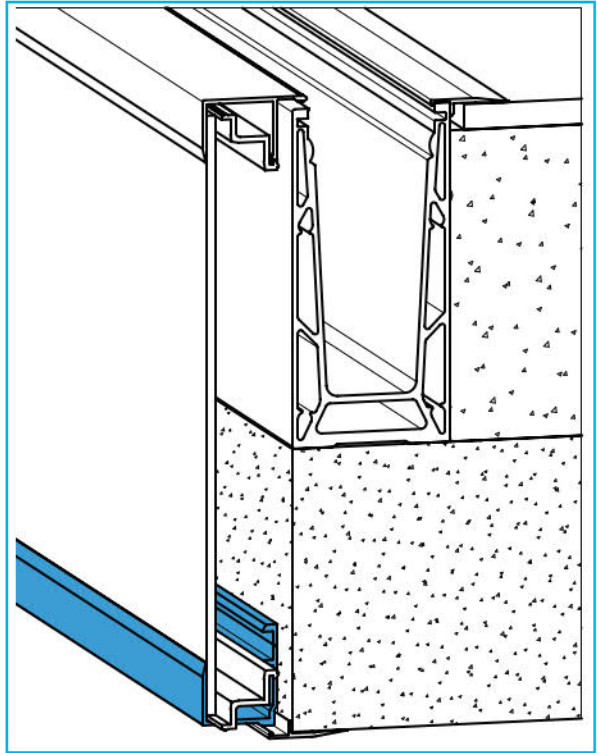
MODEL 0004-LIGHT CONNECTION PROFILES - TOP MOUNT

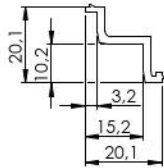


Material	Finish	Effect	art.	L
ANODIZED ALUMINIUM	satin	silver	AL/0051-2500-S-E	2500
			AL/0051-5000-S-E	5000 <i>new</i>
			AL/0051-6000-S-E	6000

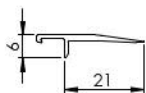
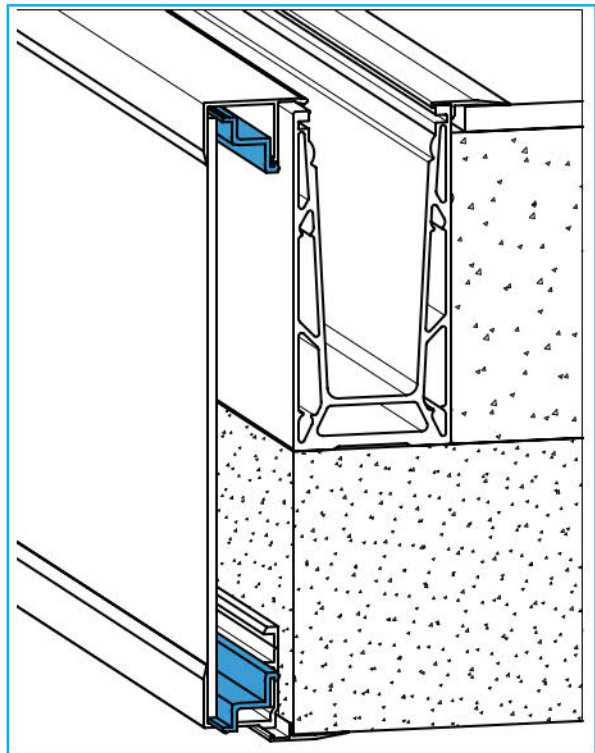
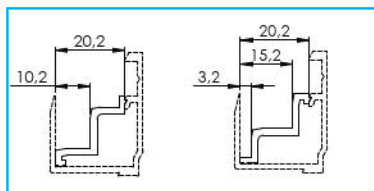
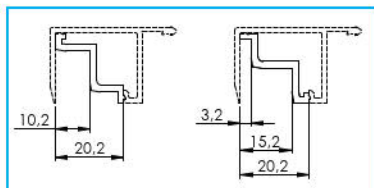


Material	Finish	Effect	art.	L
ANODIZED ALUMINIUM	satin	silver	AL/0052-2500-S-E	2500
			AL/0052-5000-S-E	5000 <i>new</i>
			AL/0052-6000-S-E	6000

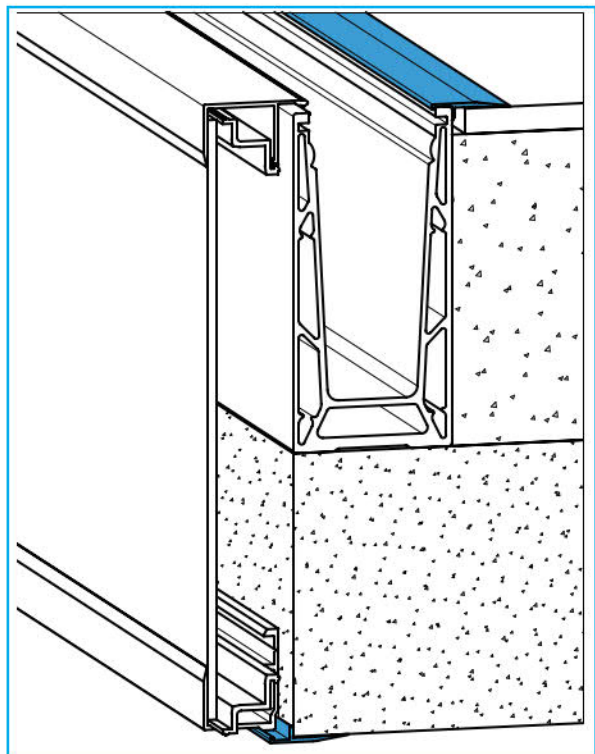




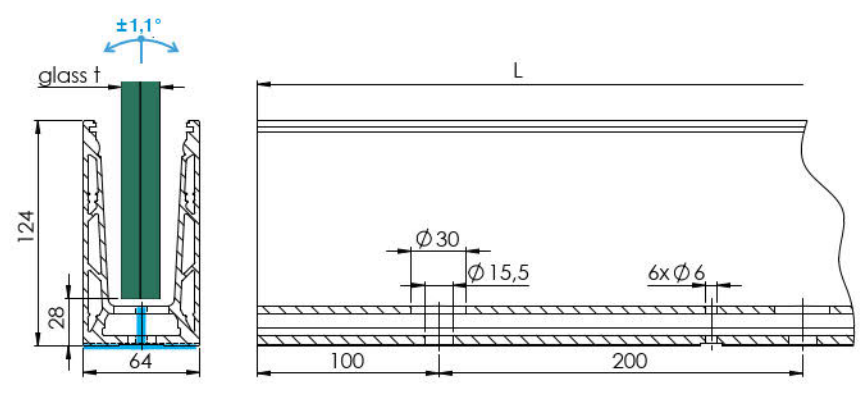
Material	Finish	Effect	art.	L
ANODIZED ALUMINIUM	natur	silver	AL/0053-2500-N-E	2500
			AL/0053-5000-N-E	5000 <i>new</i>
			AL/0053-6000-N-E	6000



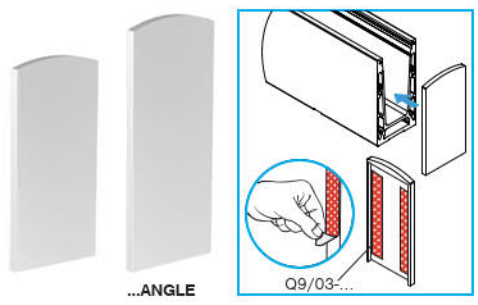
Material	Finish	Effect	art.	L
ANODIZED ALUMINIUM	satin	silver	AL/0054-2500-S-E	2500
			AL/0054-5000-S-E	5000 <i>new</i>
			AL/0054-6000-S-E	6000



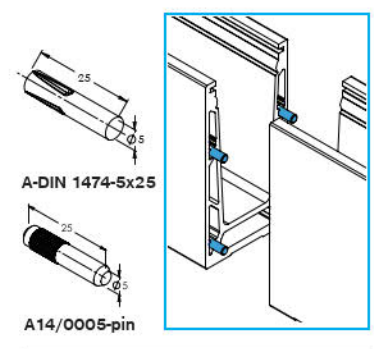
MODEL 0004-UnoXL FLEX series



Material	Finish	Effect	art.	L	G/h	L1	glass t				
ANODIZED ALUMINIUM	satin	silver	AL/0004-UnoXL-2500-S-E	2500		50					
			AL/0004-UnoXL-5000-S-E	5000	1kN	100	16,76-21,52	built in drain	✓	±1,1°	<i>new</i>
			AL/0004-UnoXL-6000-S-E	6000							



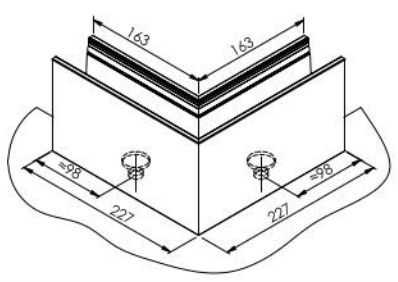
Material	Finish	Effect	art.
ANODIZED ALUMINIUM	satin	silver	AL/0034-004-UnoXL-S-E
			AL/0034-004-UnoXL-S-E-ANGLE <i>new</i>



Material	Finish	art.
AISI304		A-DIN 1474-5x25 <i>new</i>
AISI316	satin	A14/0005-pin <i>new</i>



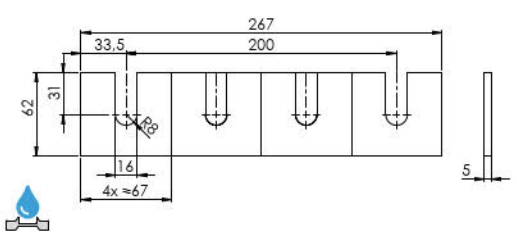
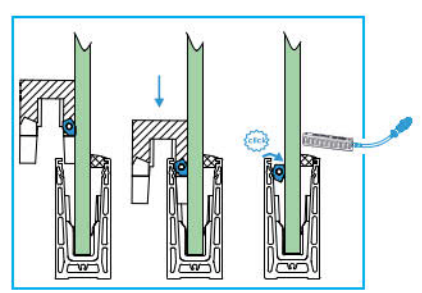
Material	Finish	art.
AISI304	natural	Q10/ANGLE-0-3-60 <i>new</i>
AISI304	natural	Q10/60-M16/M10 <i>new</i>



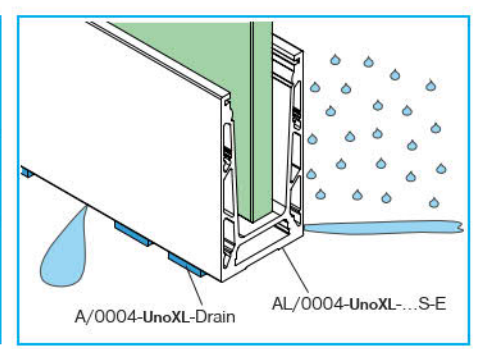
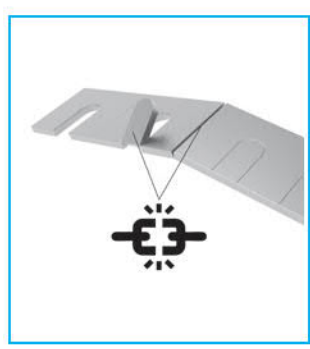
Material	Finish	Effect	art.
ANODIZED ALUMINIUM	satin	silver	AL/0004-UnoXL-S-E-90 <i>new</i>



Quality	Finish	art.
PETG	gray	MP/excenter-mount <i>new</i>

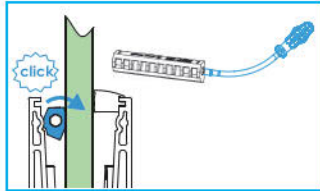


Material	Finish	art.	compatibility	Pcs/m
AISI304	satin	A/0004-UnoXL-Drain	AL/0004-UnoXL-...	2,5

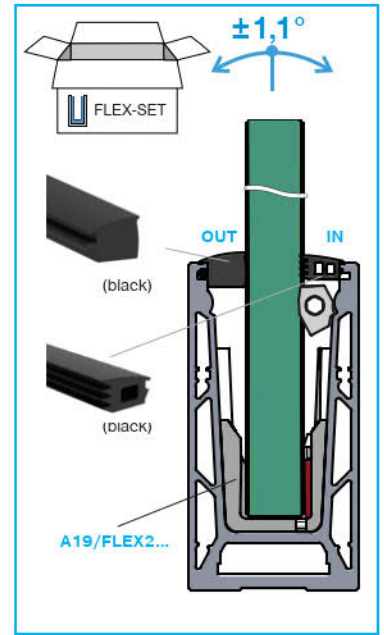


MODEL 0004-UnoXL FLEX series

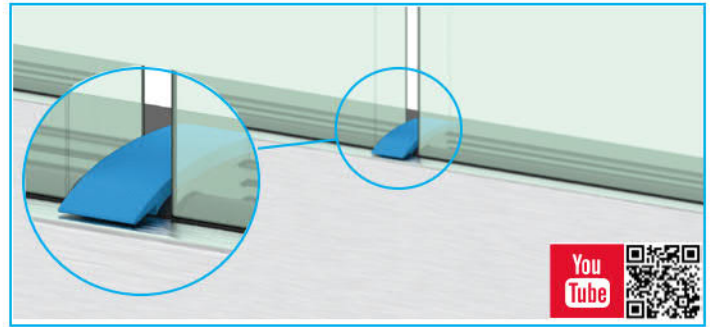
Glass t (mm)	L (m)	FIX	FLEX $\pm 1,1^\circ$
16,76 (8.8.2)	2,5 5		A19/FLEX2-017-SET-02.5 A19/FLEX2-017-SET-05.0
17,52 (8.8.4)	2,5 5		A19/FLEX2-018-SET-02.5 A19/FLEX2-018-SET-05.0
20,76 (10.10.2)	2,5 5		A19/FLEX2-021-SET-02.5 A19/FLEX2-021-SET-05.0
21,52 (10.10.4)	2,5 5		A19/FLEX2-022-SET-02.5 A19/FLEX2-022-SET-05.0



art.	total length	ext. square
Q8/70-275-PRO	275mm	1/4"

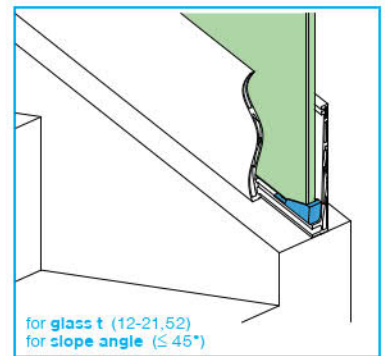


Quality	Finish	art.	L	glass t
Rubber	black	A19/0004-D-B-100	100	12-21,52



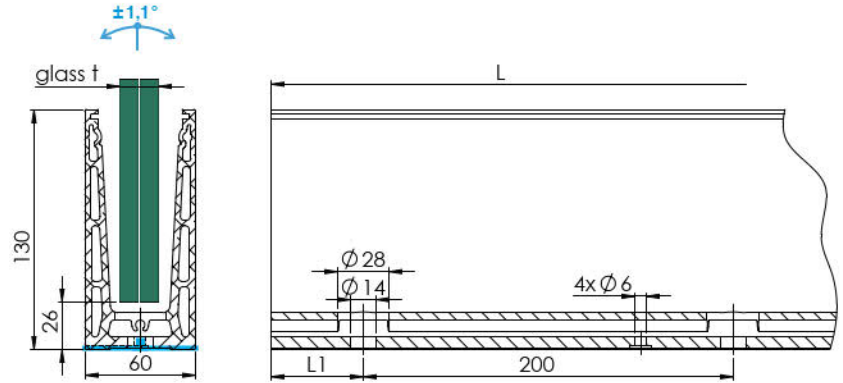
art.	use
AL/glass-mont-PRO	FLEX/FIX <i>new</i>

Quality	Finish	art.
PETG	gray	A19/glass-stop <i>new</i>



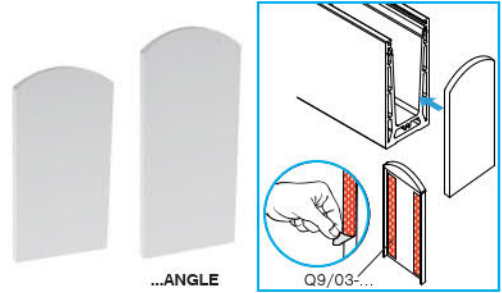
AL/0004-UnoXL							
		AL ANCHORS		62-63			
CHEMICAL		5pcs/m	5pcs/m	5pcs/m	1pcs/2,5m		
MECHANICAL		5pcs/m	5pcs/m	5pcs/m			

MODEL 0004-PRO FLEX/FIX series

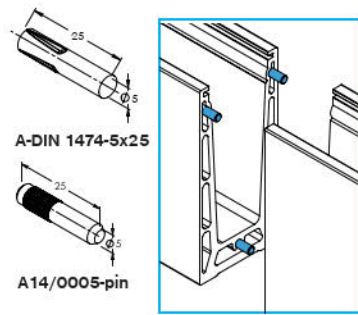


Material	Finish	Effect	art.	L	G/h	L1	glass t			
ANODIZED ALUMINIUM	satin	silver	AL/0004-PRO-2500-S-E	2500		50				
			AL/0004-PRO-5000-S-E	5000	2kN (3kN*)	100	12,00-21,52	built in drain	✓	±1,1°
			AL/0004-PRO-6000-S-E	6000						

* 3kN - info according to the test protocol 03/23



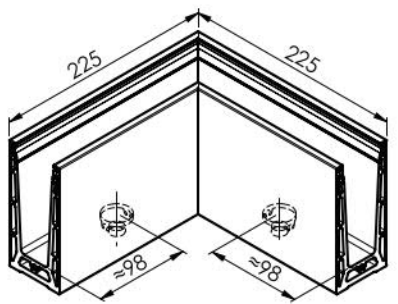
Material	Finish	Effect	art.
ANODIZED ALUMINIUM	satin	silver	AL/0034-004-PRO-S-E
			AL/0034-004-PRO-S-E-ANGLE



Material	Finish	art.
AISI304		A-DIN 1474-5x25
AISI316	satin	A14/0005-pin



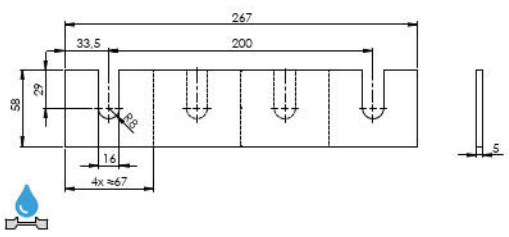
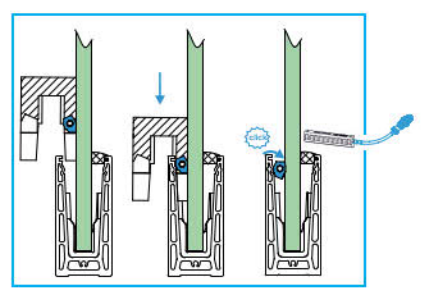
Material	Finish	art.
AISI304	natural	Q10/ANGLE-O-3-60
AISI304	natural	Q10/60-M16/M10



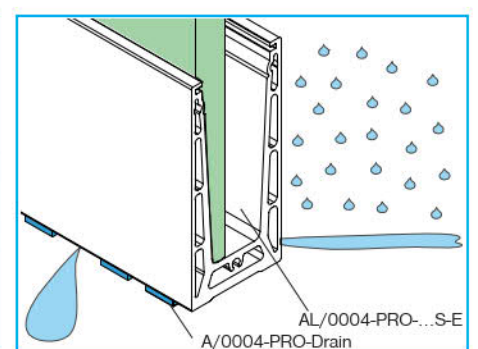
Material	Finish	Effect	art.
ANODIZED ALUMINIUM	satin	silver	AL/0004-PRO-S-E-90



Quality	Finish	art.
PETG	gray	MP/excenter-mount

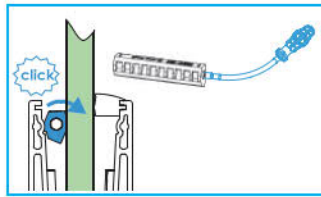
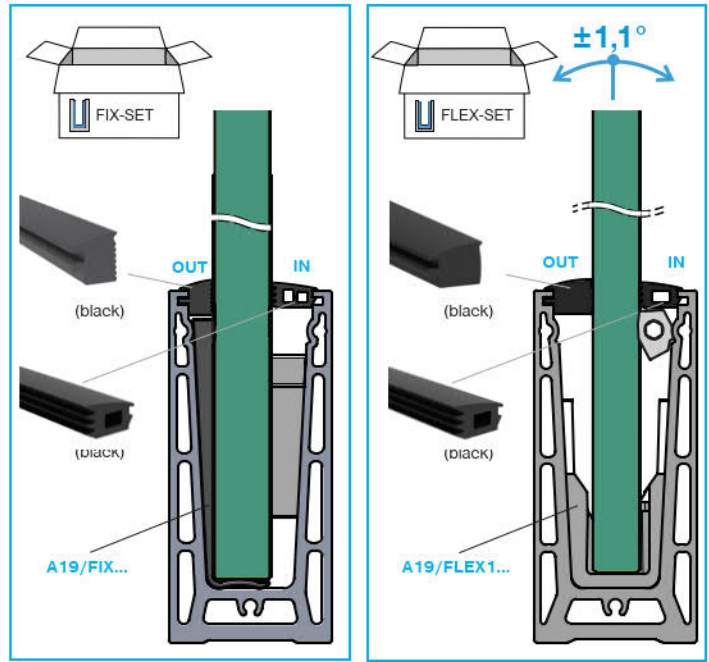


Material	Finish	art.	compatibility	Pcs/m
AISI304	satin	A/0004-PRO-Drain	AL/0004-PRO-...-S-E	2,5

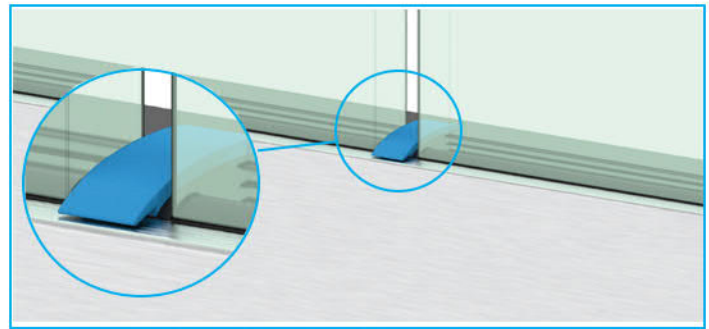


MODEL 0004-PRO FLEX/FIX series

Glass t (mm)	L (m)	FIX	FLEX $\pm 1.1^\circ$
12 (12)	2,5 5		A19/FLEX-012-SET-02.5 A19/FLEX-012-SET-05.0
12,76 (6.6.2)	2,5 5		A19/FLEX-013-SET-02.5 A19/FLEX-013-SET-05.0
16,76 (8.8.2)	2,5 5		A19/FLEX-017-SET-02.5 A19/FLEX-017-SET-05.0
17,52 (8.8.4)	2,5 5		A19/FLEX-018-SET-02.5 A19/FLEX-018-SET-05.0
20,76 (10.10.2)	2,5 5	A19/FIX1-21-SET-02.5 A19/FIX1-21-SET-05.0	
21,52 (10.10.4)	2,5 5	A19/FIX1-22-SET-02.5 A19/FIX1-22-SET-05.0	



art.	total length	ext. square
Q8/70-275-PRO	275mm	1/4"



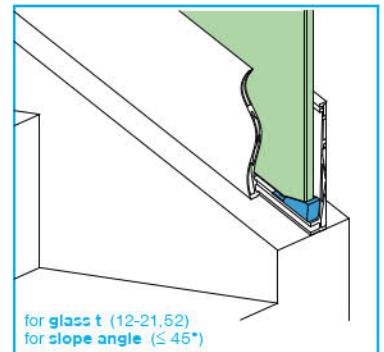
Quality	Finish	art.	L	glass t
Rubber	black	A19/0004-D-B-100	100	12-21,52



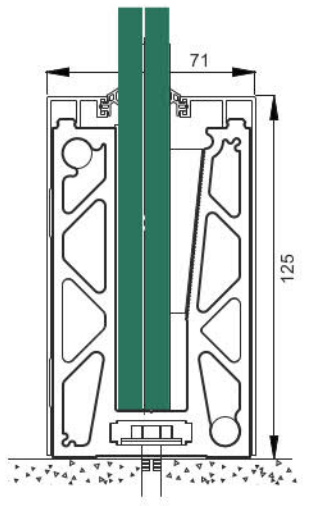
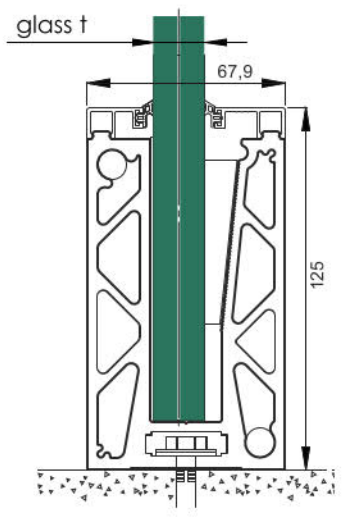
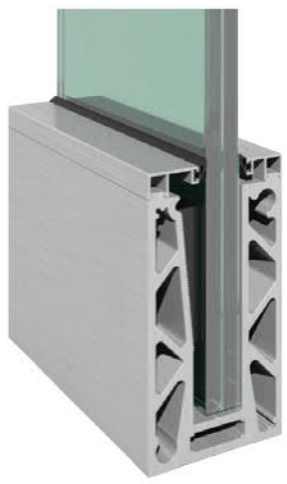
art.	use
AL/glass-mont-PRO	FLEX/FIX <i>new</i>



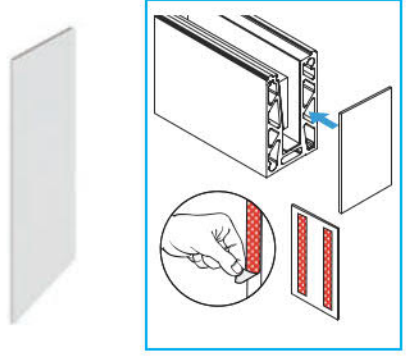
Quality	Finish	art.
PETG	gray	A19/glass-stop <i>new</i>



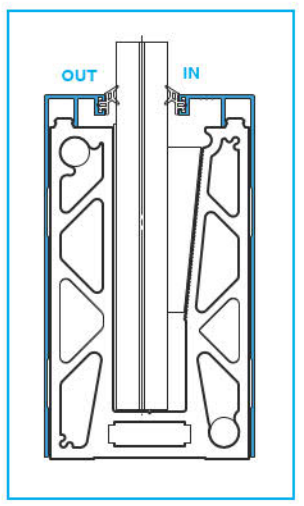
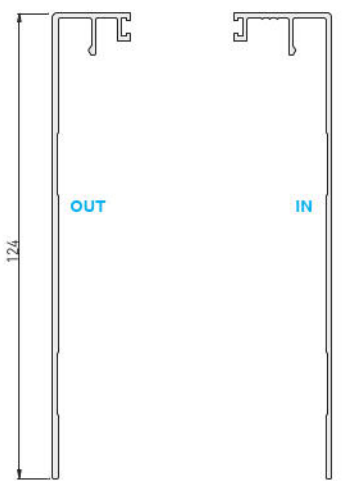
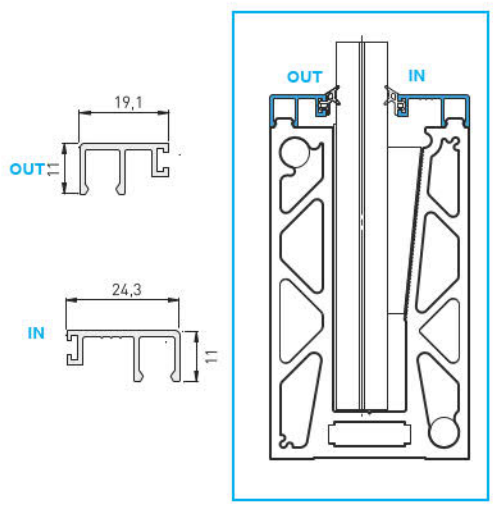
AL/0004-PRO	ANCHORS	AL ANCHORS \Rightarrow 62-63			
		CHEMICAL	MECHANICAL		
		5pcs/m	5pcs/m	5pcs/m	1pcs/2,5m
		5pcs/m	5pcs/m	5pcs/m	



Material	Finish	Effect	art.	L	G/h	glass t	
ANODIZED ALUMINIUM	satin	silver	AL/NX50-SEG150-017-S-E	150	1 kN	16,76-17,52	<i>new</i>
			AL/NX50-SEG300-017-S-E	300		-	
			AL/NX50-SEG150-021-S-E	150		20,76-21,52	
			AL/NX50-SEG300-021-S-E	300		-	



Material	Finish	Effect	art.
ANODIZED ALUMINIUM	satin	silver	AL/NX50-CAP-S-E <i>new</i>



Material	Finish	Effect	art.
ANODIZED ALUMINIUM	satin	silver	AL/NX51-IN-3000-S-E <i>new</i>
			AL/NX51-OUT-3000-S-E

Material	Finish	Effect	art.
ANODIZED ALUMINIUM	satin	silver	AL/NX52-IN-3000-S-E <i>new</i>
			AL/NX52-OUT-3000-S-E

MODEL **NX50-SEG** FIX series



Quality	Finish	art.
PETG	gray	A19/glass-stop

new



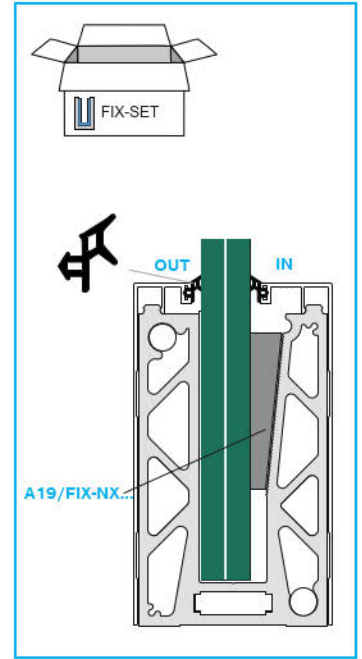
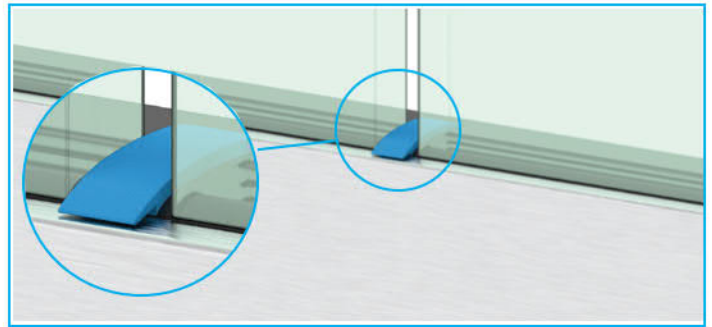
AL/glass-mont-PRO


art.	use
AL/glass-mont-PRO	FLEX/FIX

new




Quality	Finish	art.	L	glass t
Rubber	black	A19/0004-D-B-100	100	12-21,52





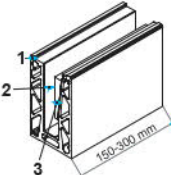
AL/NX50-SEG150-S-E



AL/NX50-SEG300-S-E

Material List

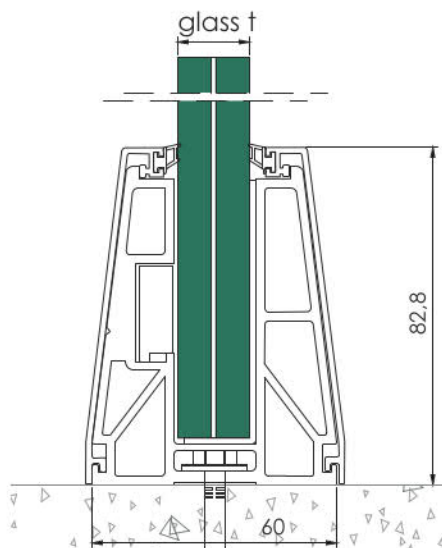
- 1- Glass support base shoe
- 2- Spacer
- 3- Plastic wedge




AL/NX50-SEG...	MECHANICAL			CHEMICAL			
							
ANCHORS	5pcs/m	5pcs/m	5pcs/m	5pcs/m	5pcs/m	5pcs/m	1pcs/2,5m

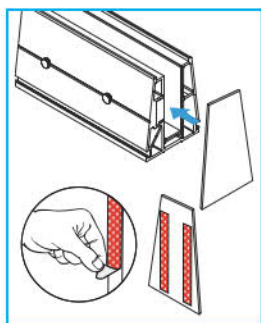
AL ANCHORS   **62-63**

MODEL CL40-SEG FIX series



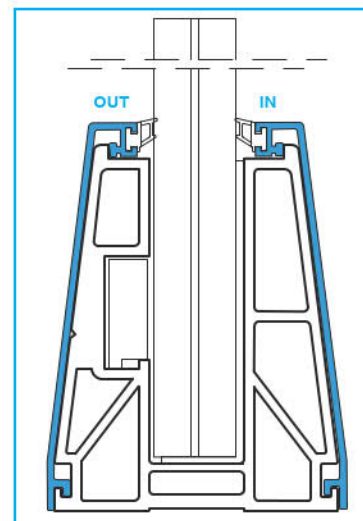
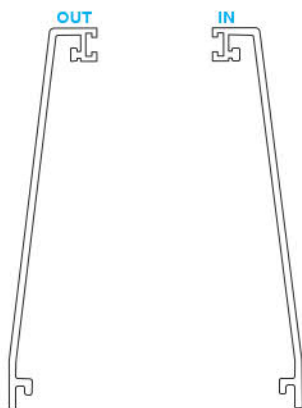
Material	Finish	Effect	art.	L	G/h	glass t			
ANODIZED ALUMINIUM	satin	silver	AL/CL40-SEG150-013-S-E	150	1 kN	12,76-13,52	A19/CL40-1213		
			AL/CL40-SEG300-013-S-E	300					
			AL/CL40-SEG150-017-S-E	150		16,76-17,52	A19/CL40-1617		
			AL/CL40-SEG300-017-S-E	300					

new



Material	Finish	Effect	art.
ANODIZED ALUMINIUM	satin	silver	AL/CL40-CAP-S-E

new



Material	Finish	Effect	art.
ANODIZED ALUMINIUM	satin	silver	AL/CL42-IN-3000-S-E
			AL/CL42-OUT-3000-S-E

new

MODEL **CL40-SEG** FIX series

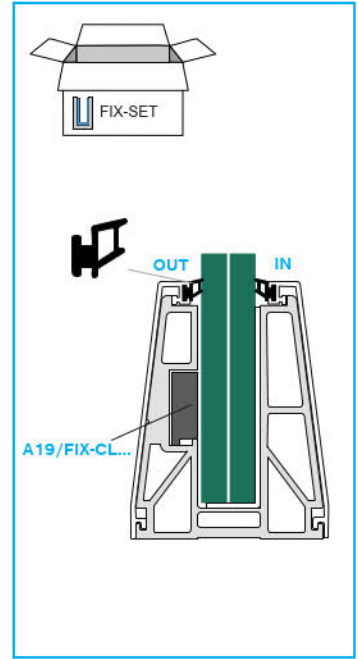


Quality	Finish	art.
PETG	gray	A19/glass-stop <i>new</i>

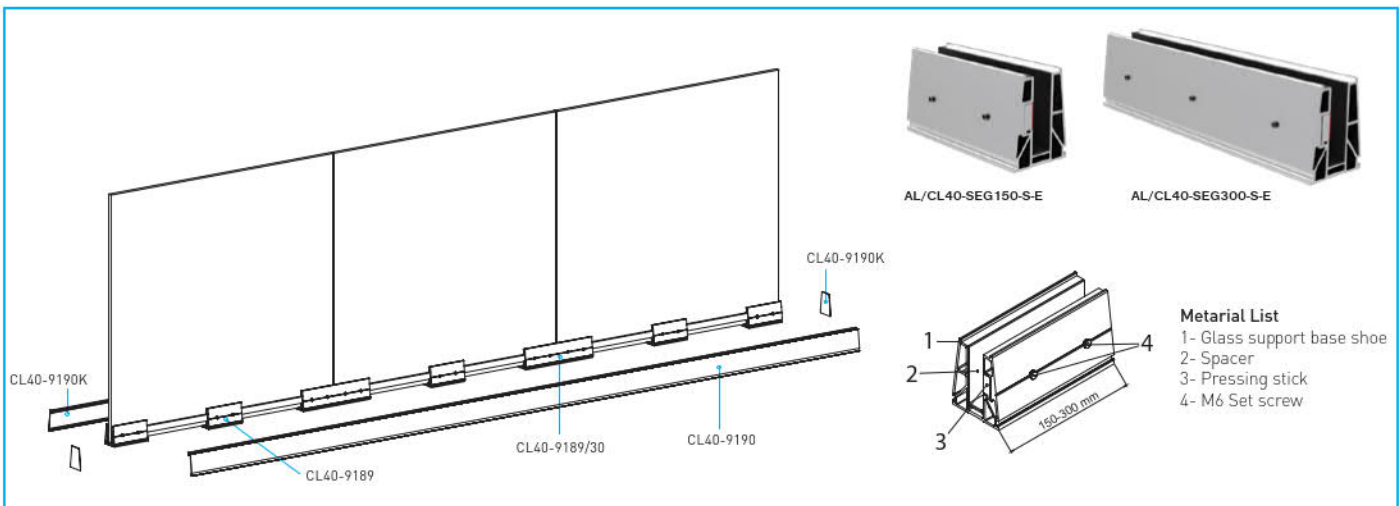
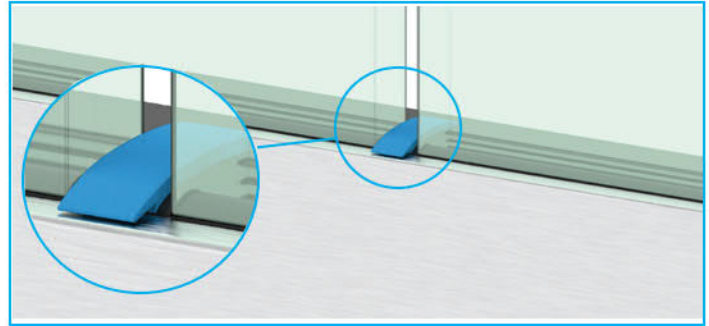


AL/glass-mont-PRO

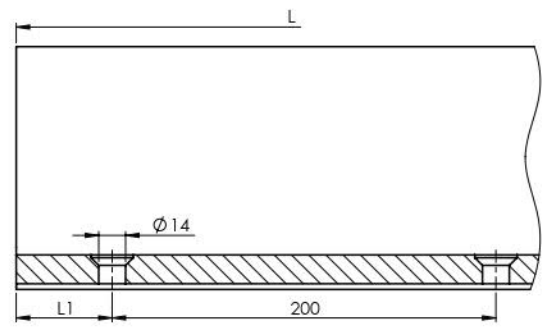
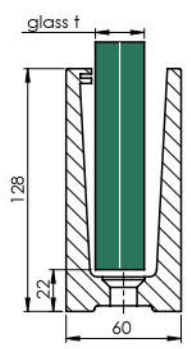
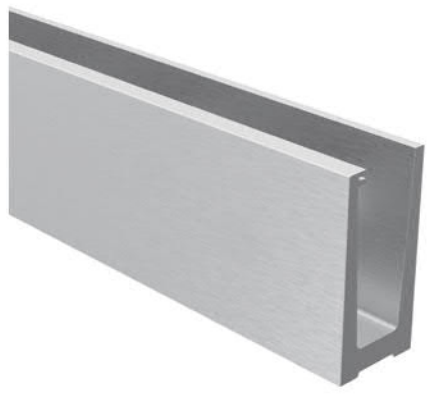
art.	use
AL/glass-mont-PRO	FLEX/FIX <i>new</i>



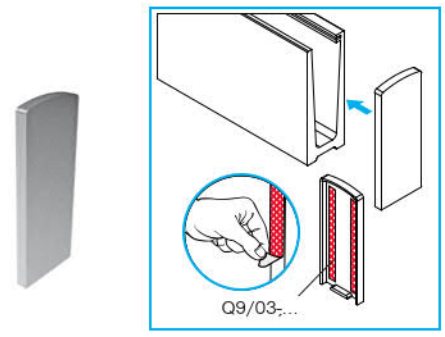
Quality	Finish	art.	L	glass t
Rubber	black	A19/0004-D-B-100	100	12-21,52



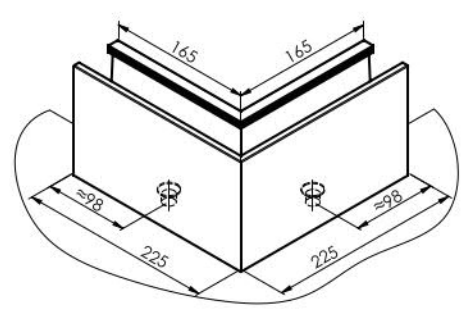
AL/NX50-SEG... ANCHORS								
	AL ANCHORS 62-63							
CHEMICAL				5pcs/m	5pcs/m	5pcs/m	1pcs/2,5m	
MECHANICAL	5pcs/m	5pcs/m	5pcs/m					



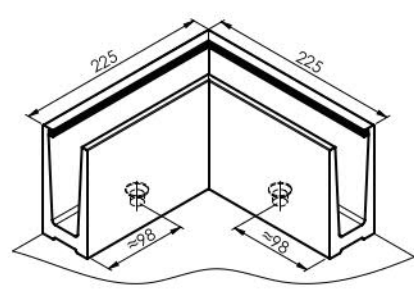
Material	Finish	Effect	art.	L	L1	G/h	glass t
ANODIZED ALUMINIUM	satin	silver	AL/0008-2500-S-E	2500	50	3kN	21,52-25,52
			AL/0008-5000-S-E	5000	100		



Material	Finish	Effect	art.
ANODIZED ALUMINIUM	satin	silver	AL/0038-004-S-E



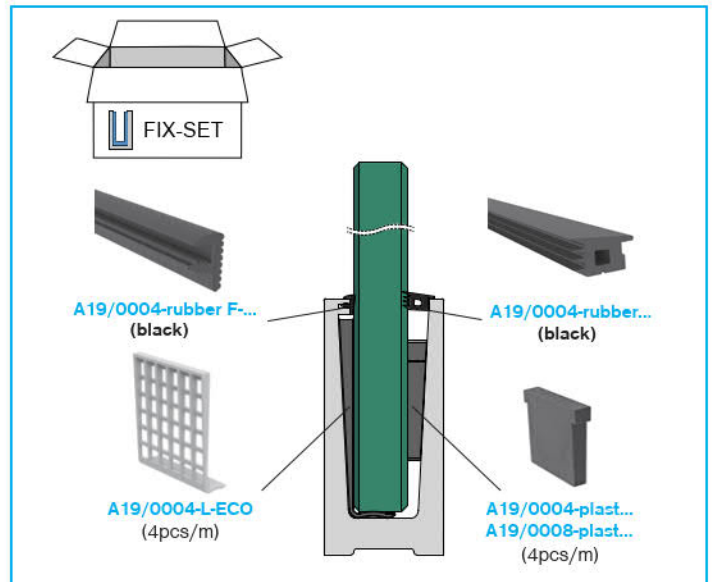
Material	Finish	Effect	art.
ANODIZED ALUMINIUM	satin	silver	AL/0008-S-E-90-IN



Material	Finish	Effect	art.
ANODIZED ALUMINIUM	satin	silver	AL/0008-S-E-90-OUT

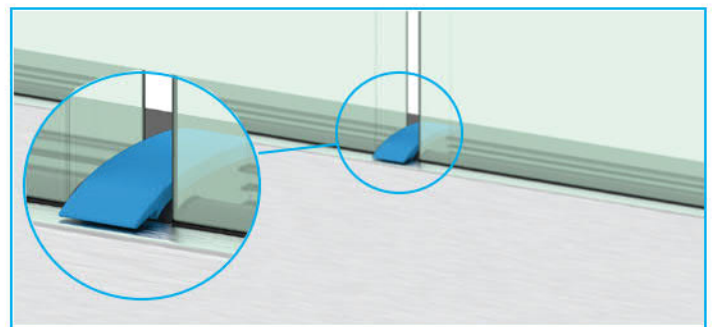
MODEL 0008 FIX series

Glass t (mm)	L (m)	art.
21,52 (1010.4)	2,5	A19/0004-012-02.5
	5	A19/0004-012-05.0
	25	A19/0004-012-25.0
25,52 (1212.4)	2,5	A19/0008-rubber26-02.5
	5	A19/0008-rubber26-05.0
	25	A19/0008-rubber26-25.0



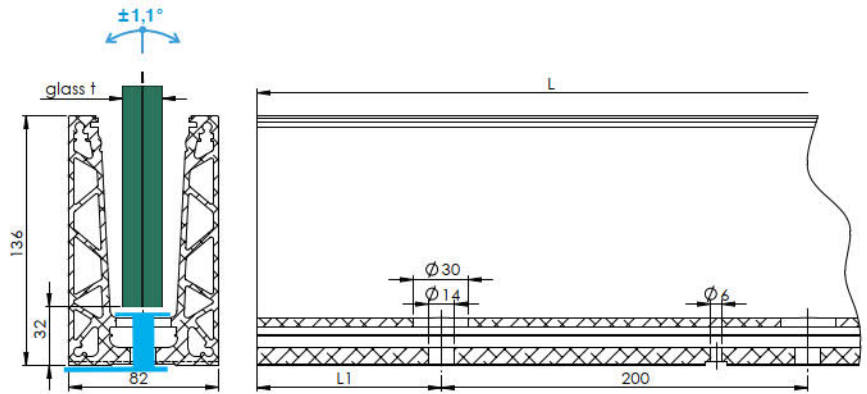
Quality	Finish	art.	L(m)	glass t
Rubber	gray (interier)	A19/0004-F-G-02.5	2,5	12-21,52
		A19/0004-F-G-05.0	5	
		A19/0004-F-G-25.0	25	
	black (exterior)	A19/0004-F-B-02.5	2,5	
		A19/0004-F-B-05.0	5	
		A19/0004-F-B-06.0	6	
A19/0004-F-B-25.0	25			

Quality	Finish	art.	L(m)	glass t	
Rubber	gray (interier)	A19/0004-17-18-G-02.5	2,5	16,76-17,52	
		A19/0004-17-18-G-05.0	5		
		A19/0004-17-18-G-25.0	25		
		black (exterior)	A19/0004-rubber12-13-02.5		2,5
			A19/0004-rubber12-13-05.0		5
			A19/0004-rubber12-13-06.0		6
	A19/0004-rubber12-13-25.0		25		
	A19/0004-rubber17-18-02.5		2,5		
	A19/0004-rubber17-18-05.0		5		
	A19/0004-rubber17-18-06.0	6			
	A19/0004-rubber17-18-25.0	25			
	A19/0004-rubber21-22-02.5	2,5			
	A19/0004-rubber21-22-05.0	5			
	A19/0004-rubber21-22-06.0	6			
	A19/0004-rubber21-22-25.0	25			

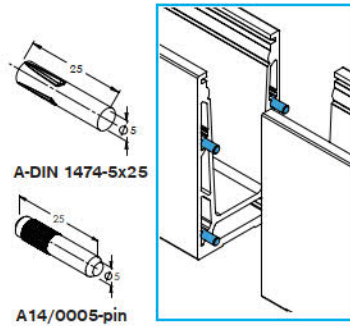
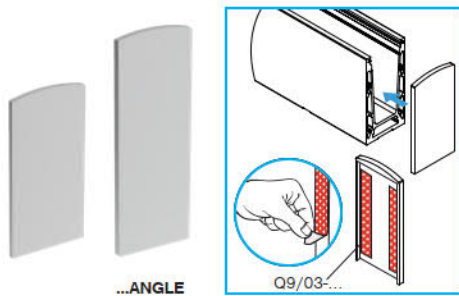


Quality	Finish	art.	L	glass t
Rubber	black	A19/0004-D-B-100	100	12-21,52

ANCHORS	AL/0008		
	<p>AL ANCHORS 62-63</p>	<p>CHEMICAL</p>	<p>5pcs/m</p>



Material	Finish	Effect	art.	L	L1	G/h	glass t			
ANODIZED ALUMINIUM	satin	silver	AL/0008-ProXL-2500-S-E	2500	50					
			AL/0008-ProXL-5000-S-E	5000	100	3kN	16,76-31,52	built in drain	$\pm 1,1^\circ$	<i>new</i>
			AL/0008-ProXL-6000-S-E	6000						

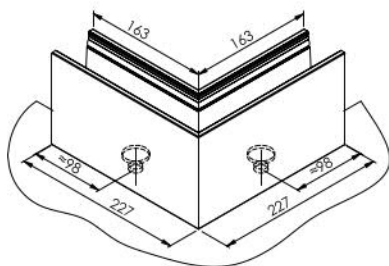


Material	Finish	Effect	art.
ANODIZED ALUMINIUM	satin	silver	AL/0034-008-ProXL-S-E
			AL/0034-008-ProXL-S-E-ANG

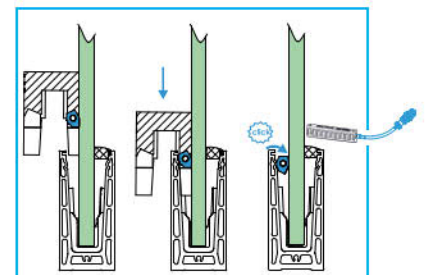
new

Material	Finish	art.
AISI304	satin	A-DIN 1474-5x25
AISI316		A14/0005-pin

new



new



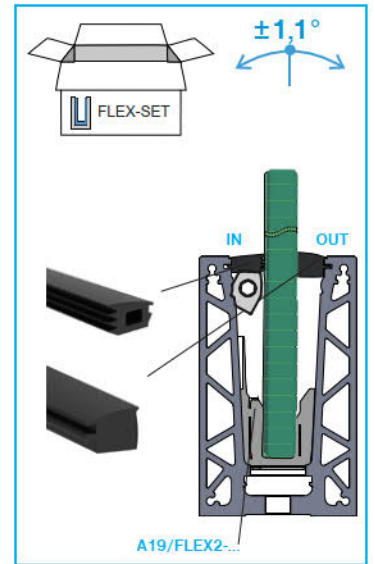
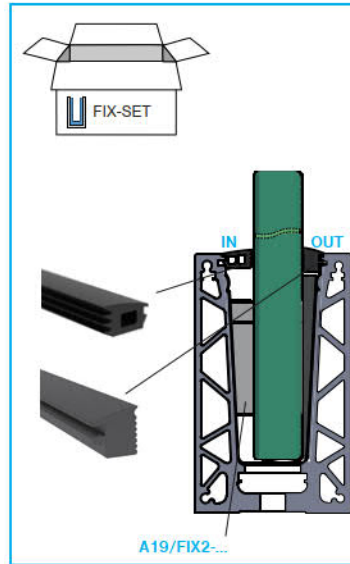
Material	Finish	Effect	art.
ANODIZED ALUMINIUM	satin	silver	AL/0008-ProXL-S-E-90

new

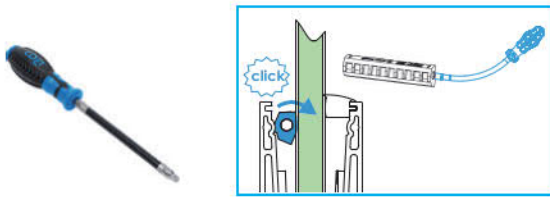
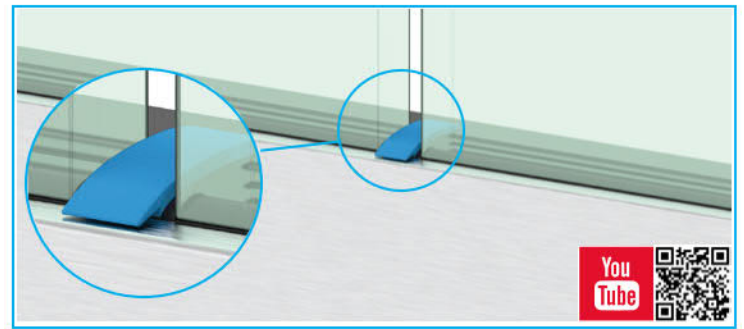
Quality	Finish	art.
PETG	gray	MP/excenter-mount

MODEL 0008-PROXL FLEX/FIX series

Glass t (mm)	L (m)	FIX	FLEX $\pm 1,1^\circ$
16,76 (8.8.2)	2,5		A19/FLEX2-017-SET-02.5
	5		A19/FLEX2-017-SET-05.0
17,52 (8.8.4)	2,5		A19/FLEX2-018-SET-02.5
	5		A19/FLEX2-018-SET-05.0
20,76 (10.10.2)	2,5		A19/FLEX2-021-SET-02.5
	5		A19/FLEX2-021-SET-05.0
21,52 (10.10.4)	2,5		A19/FLEX2-022-SET-02.5
	5		A19/FLEX2-022-SET-05.0
24,76 (12.12.2)	2,5	A19/FIX2-25-SET-02.5	
	5	A19/FIX2-25-SET-05.0	
25,52 (12.12.4)	2,5	A19/FIX2-26SET-02.5	
	5	A19/FIX2-26-SET-05.0	
31,52 (15.15.4)	2,5	A19/FIX2-32-SET-02.5	
	5	A19/FIX2-32-SET-05.0	



Quality	Finish	art.	L	glass t
Rubber	black	A19/0004-D-B-100	100	12-21,52



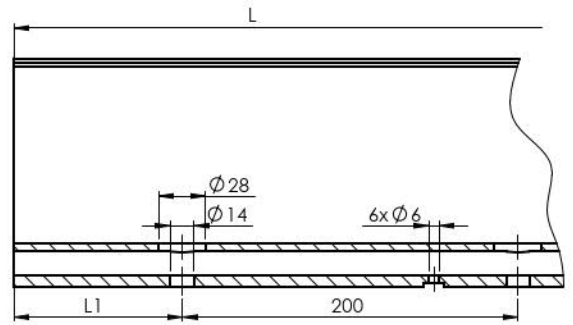
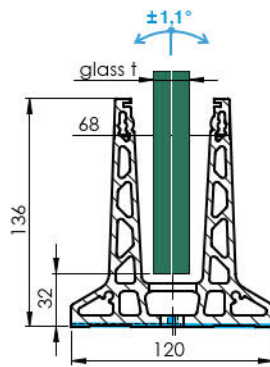
art.	total length	ext. square
Q8/70-275-PRO	275mm	1/4"



art.	use
AL/glass-mont-PRO	FLEX/FIX

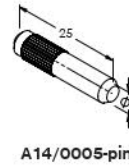
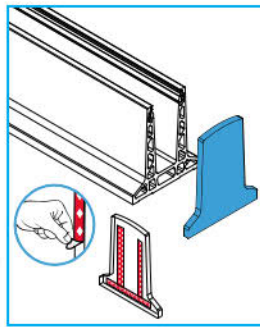
new

AL/0008-ProXL							
		AL ANCHORS \Rightarrow 62-63					
CHEMICAL		5pcs/m	5pcs/m	5pcs/m	1pcs/2,5m		
MECHANICAL		5pcs/m	5pcs/m	5pcs/m			



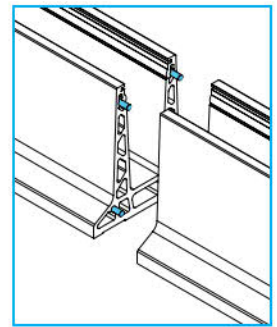
Material	Finish	Effect	art.	L	L1	G/h	glass t			
ANODIZED ALUMINIUM	satin	silver	AL/0019-2500-N-E	2500	50	3kN	16,76-31,52	built in drain		±1,1°
			AL/0019-5000-N-E	5000	100					
			AL/0019-6000-N-E	6000						

new



A14/0005-pin

A-DIN 1474-5x25

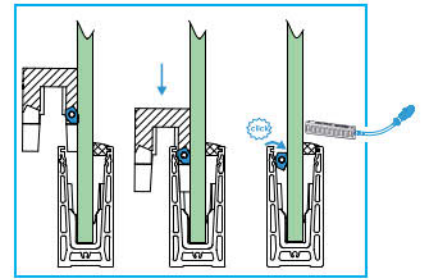
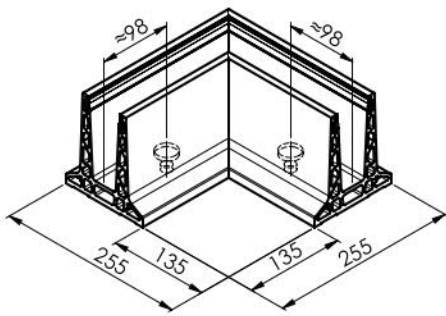


Material	Finish	Effect	art.
ANODIZED ALUMINIUM	satin	silver	AL/0034-019-S-E

new

Material	Finish	art.
AISI304		A-DIN 1474-5x25
AISI316	satin	A14/0005-pin

new

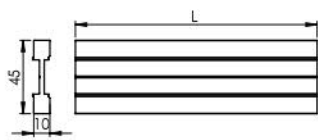


Material	Finish	Effect	art.
ANODIZED ALUMINIUM	satin	silver	AL/0019-S-E-90

new

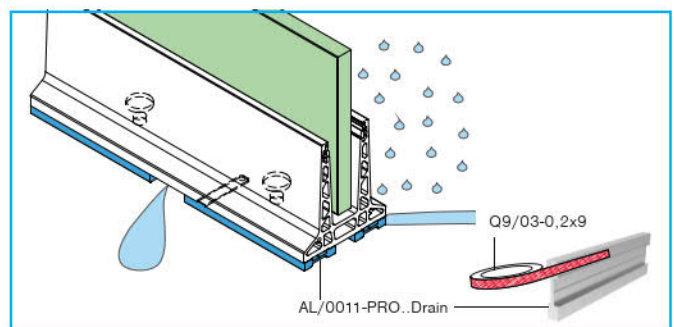
Quality	Finish	art.
PETG	gray	MP/excenter-mount

new



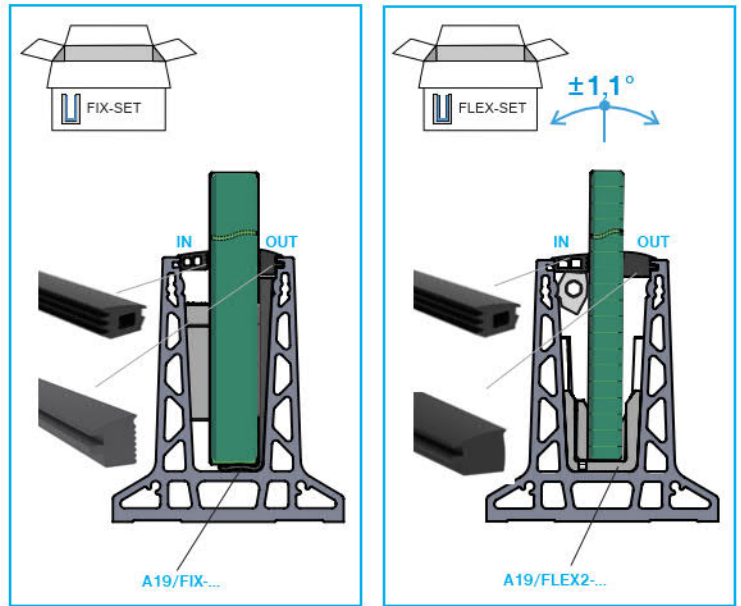
Material	Finish	Effect	art.	L
ANODIZED ALUMINIUM	satin	silver	AL/0011-PRO-S-E-1250-Drain	1250
			AL/0011-PRO-S-E-2500-Drain	2500

new

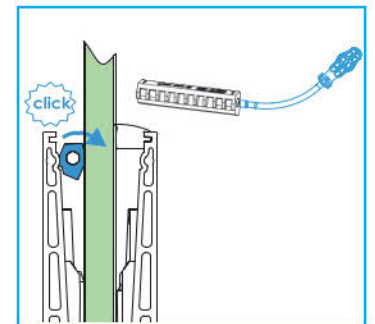
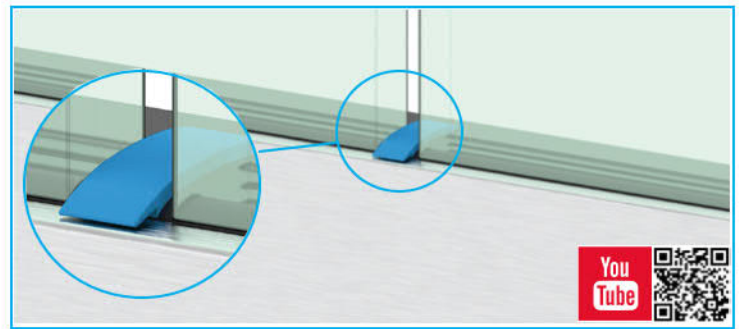


MODEL 0019 FLEX/FIX series

Glass t (mm)	L (m)	FIX	FLEX $\pm 1.1^\circ$
16,76 (8.8.2)	2,5 5		A19/FLEX2-017-SET-02.5 A19/FLEX2-017-SET-05.0
17,52 (8.8.4)	2,5 5		A19/FLEX2-018-SET-02.5 A19/FLEX2-018-SET-05.0
20,76 (10.10.2)	2,5 5		A19/FLEX2-021-SET-02.5 A19/FLEX2-021-SET-05.0
21,52 (10.10.4)	2,5 5		A19/FLEX2-022-SET-02.5 A19/FLEX2-022-SET-05.0
24,76 (12.12.2)	2,5 5	A19/FIX2-25-SET-02.5 A19/FIX2-25-SET-05.0	
25,52 (12.12.4)	2,5 5	A19/FIX2-26SET-02.5 A19/FIX2-26-SET-05.0	
31,52 (15.15.4)	2,5 5	A19/FIX2-32-SET-02.5 A19/FIX2-32-SET-05.0	



Quality	Finish	art.	L	glass t
Rubber	black	A19/0004-D-B-100	100	12-21,52



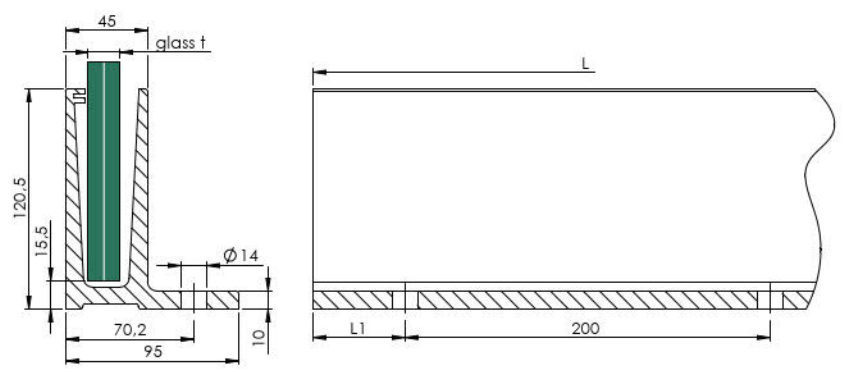
art.	use
AL/glass-mont-PRO	FLEX/FIX


new

art.	total length	ext. square
Q8/70-275-PRO	275mm	1/4"

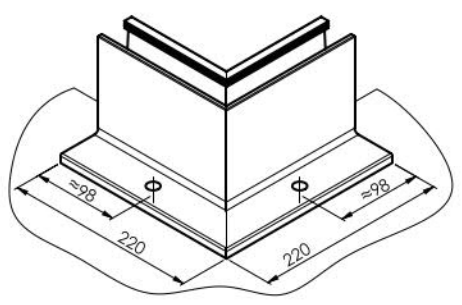
AL/0019... ANCHORS					
	CHEMICAL	5pcs/m	5pcs/m	5pcs/m	1pcs/2,5m
MECHANICAL	5pcs/m	5pcs/m	5pcs/m		

AL ANCHORS 62-63

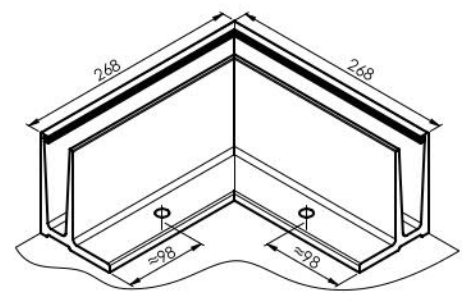


Material	Finish	Effect	art.	L	L1	G/h	glass t	 A/0006-Drain
ANODIZED ALUMINIUM	satin	silver	AL/0006-1250-S-E	1250				
			AL/0006-2500-S-E	2500	50			
			AL/0006-5000-S-E	5000	100	3kN	12,00-21,52	✓
			AL/0006-6000-S-E	6000				

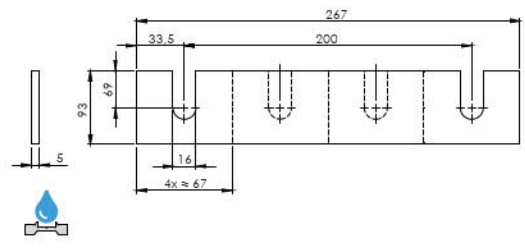
top



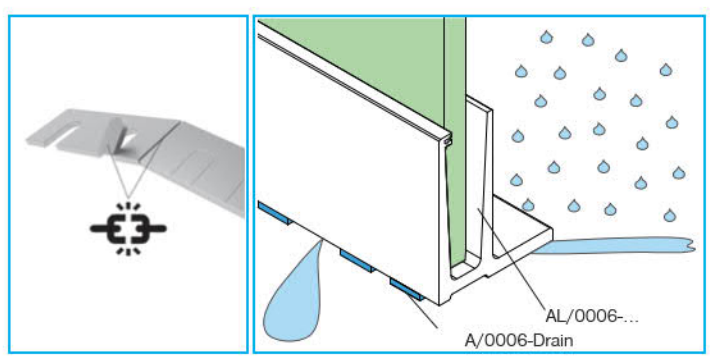
Material	Finish	Effect	art.
ANODIZED ALUMINIUM	satin	silver	AL/0006-S-E-90-IN



Material	Finish	Effect	art.
ANODIZED ALUMINIUM	satin	silver	AL/0006-S-E-90-IN

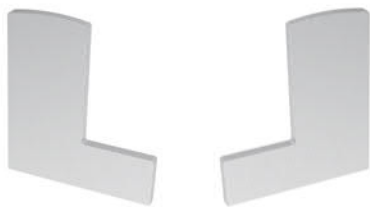
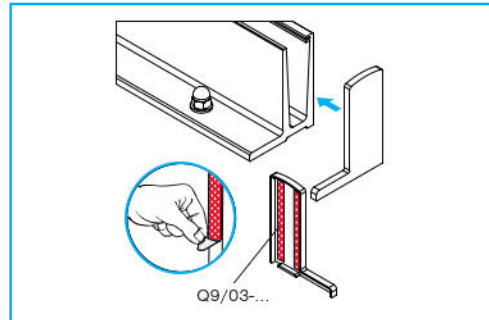
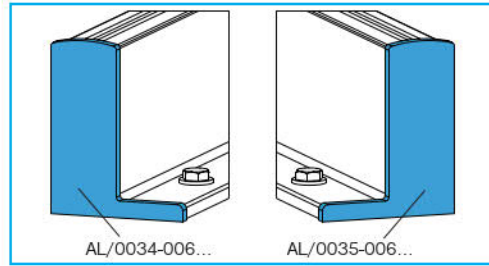


Material	Finish	art.	compatibility	Pcs/m
AISI304	natural	A/0006-Drain	AL/0006-...-S-E	2,5

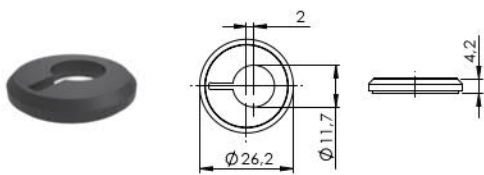
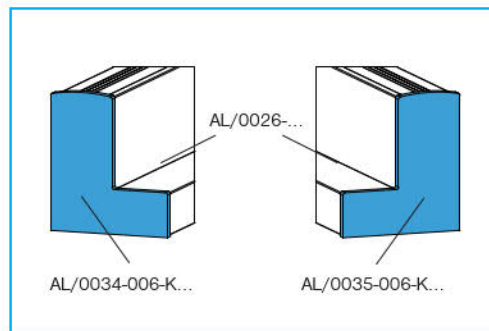




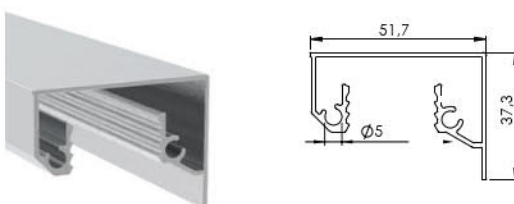
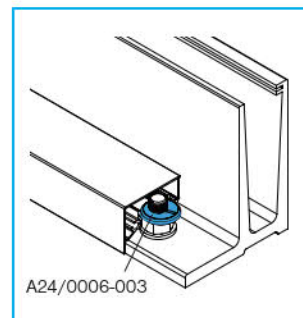
Material	Finish	Effect	art.
ANODIZED ALUMINIUM	satin	silver	AL/0034-006-S-E
			AL/0035-006-S-E



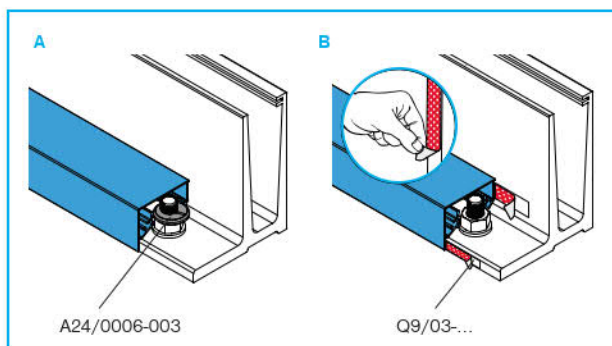
Material	Finish	Effect	art.
ANODIZED ALUMINIUM	satin	silver	AL/0034-006-K-S-E
			AL/0035-006-K-S-E



Quality	Finish	art.
PVC	black	A24/0006-003

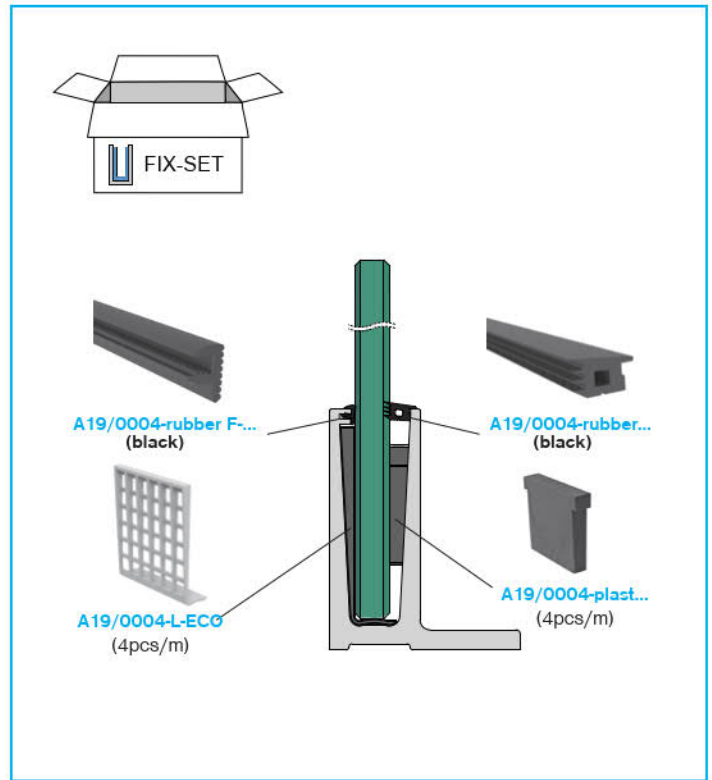


Material	Finish	Effect	art.	L
ANODIZED ALUMINIUM	satin	silver	AL/0026-2500-S-E	2500
			AL/0026-5000-S-E	5000
			AL/0026-6000-S-E	6000



MODEL 0006 FIX series

Glass t (mm)	L (m)	art.
12 (12)	2,5	A19/0004-012-02.5
	5	A19/0004-012-05.0
	25	A19/0004-012-25.0
12,76 (66.2)	2,5	A19/0004-013-02.5
	5	A19/0004-013-05.0
	25	A19/0004-013-25.0
16,76 (88.2)	2,5	A19/0004-017-02.5
	5	A19/0004-017-05.0
	25	A19/0004-017-25.0
17,52 (88.4)	2,5	A19/0004-018-02.5
	5	A19/0004-018-05.0
	25	A19/0004-018-25.0
20,76 (1010.2)	2,5	A19/0004-021-02.5
	5	A19/0004-021-05.0
	25	A19/0004-021-25.0
21,52 (1010.4)	2,5	A19/0004-022-02.5
	5	A19/0004-022-05.0
	25	A19/0004-022-25.0



Quality	Finish	art.	L(m)	glass t
Rubber	gray (interier)	A19/0004-F-G-02.5	2,5	12-21,52
		A19/0004-F-G-05.0	5	
		A19/0004-F-G-25.0	25	
	black (exterier)	A19/0004-F-B-02.5	2,5	
		A19/0004-F-B-05.0	5	
		A19/0004-F-B-06.0	6	
A19/0004-F-B-25.0	25			

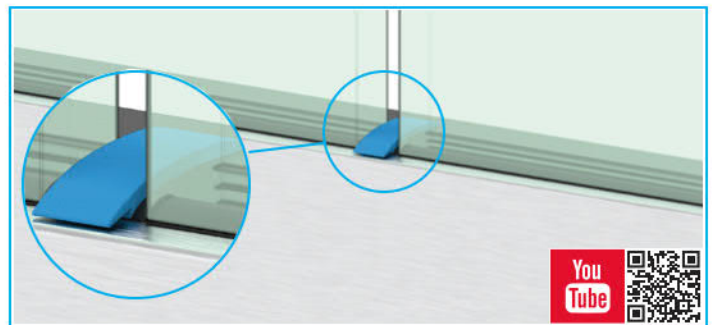
Quality	Finish	art.	L(m)	glass t
Rubber	gray (interier)	A19/0004-17-18-G-02.5	2,5	16,76-17,52
		A19/0004-17-18-G-05.0	5	
		A19/0004-17-18-G-25.0	25	
		A19/0004-rubber12-13-02.5	2,5	
		A19/0004-rubber12-13-05.0	5	
		A19/0004-rubber12-13-06.0	6	
	black (exterier)	A19/0004-rubber12-13-25.0	25	12,76-13,52
		A19/0004-rubber17-18-02.5	2,5	
		A19/0004-rubber17-18-05.0	5	
		A19/0004-rubber17-18-06.0	6	
		A19/0004-rubber17-18-25.0	25	
		A19/0004-rubber21-22-02.5	2,5	
		A19/0004-rubber21-22-05.0	5	
		A19/0004-rubber21-22-06.0	6	
		A19/0004-rubber21-22-25.0	25	

AL/0006 ¹							+	
	AL/0026-...	A24/0006-003	AL ANCHORS 62-63					
ANCHORS	CHEMICAL	✓	2pcs/m	5pcs/m	5pcs/m	1pcs/m	1pcs/2,5m	

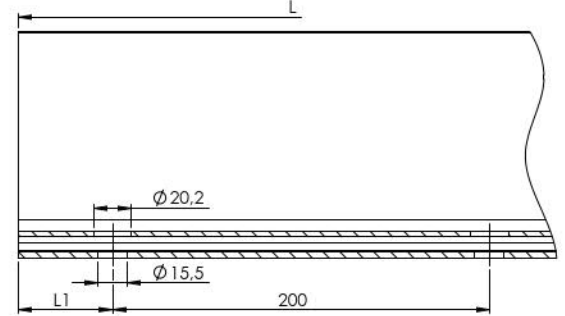
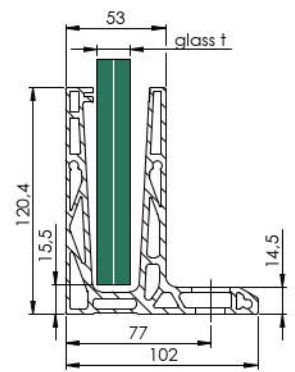
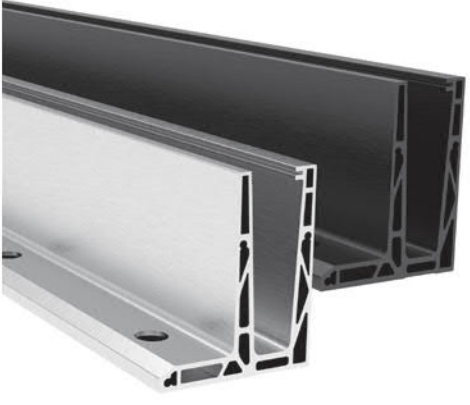
AL/0006 ²						+	
	AL ANCHORS 62-63						
ANCHORS	CHEMICAL		5pcs/m	5pcs/m	1pcs/m	1pcs/2,5m	
ANCHORS	MECHANICAL	5pcs/m					



Quality	Finish	art.	L	glass t
Rubber	black	A19/0004-D-B-100	100	12-21,52



MODEL 0006-ECO FIX series

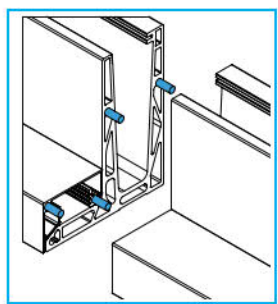


Material	Finish	Effect	art.	L	L1	G/h	glass t	A/0006-ECO-Drain
ANODIZED ALUMINIUM	satin		AL/0006-ECO-2500-S-E	2500	50	1kN	12,00-21,52	✓
		silver	AL/0006-ECO-5000-S-E	5000	100			
			AL/0006-ECO-6000-S-E	6000	100			
		black	AL/0006-ECO-2500-S-EB	2500	50			
		AL/0006-ECO-5000-S-EB	5000	100				
	natural	silver	AL/0006-ECO-6000-N	6000	100			



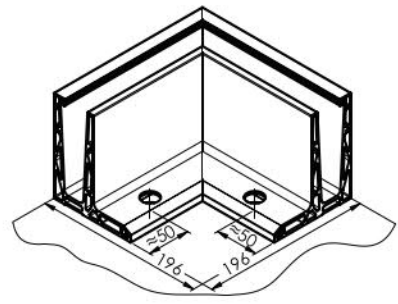
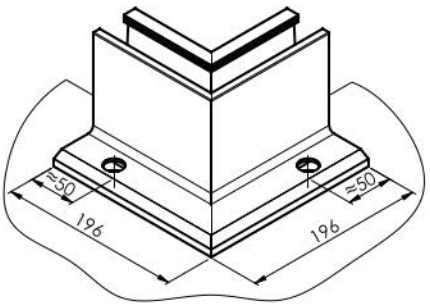
A14/0005-pin

A-DIN 1474-5x25



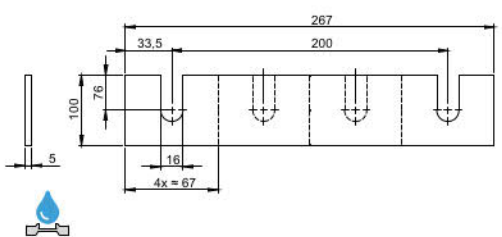
Material	Finish	art.
AISI304	satin	A-DIN 1474-5x25
AISI316		A14/0005-pin

new

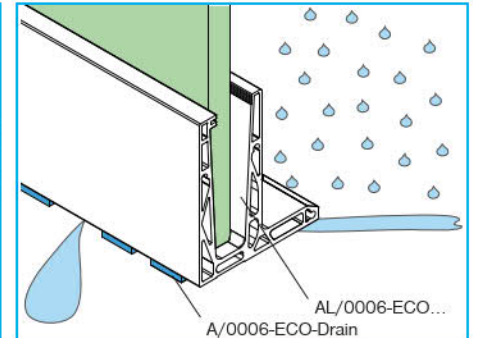


Material	Finish	Effect	art.
ANODIZED ALUMINIUM	satin	silver	AL/0006-ECO-S-E-90-IN
		black	AL/0006-ECO-S-EB-90-IN

Material	Finish	Effect	art.
ANODIZED ALUMINIUM	satin	silver	AL/0006-ECO-S-E-90-OUT
		black	AL/0006-ECO-S-EB-90-OUT



Material	Finish	art.	compatibility	Pcs/m
AISI304	natural	A/0006-ECO-Drain	AL/0006-ECO-...-S-E AL/0006-ECO-...-S-EB	2,5



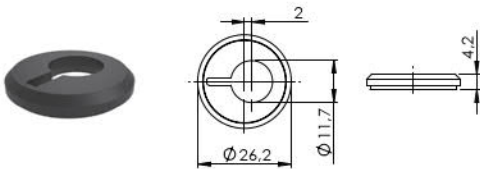
MODEL 0006-ECO FIX series



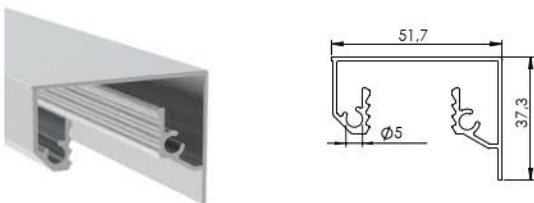
Material	Finish	Effect	art.
ANODIZED ALUMINIUM	satin	silver	AL/0034-006-ECO-S-E AL/0035-006-ECO-S-E
		black	AL/0034-006-ECO-S-EB AL/0035-006-ECO-S-EB
	AISI304		A/0034-006-ECO A/0035-006-ECO



Material	Finish	Effect	art.
ANODIZED ALUMINIUM	satin	silver	AL/0034-006-ECO-K-S-E AL/0035-006-ECO-K-S-E
		black	AL/0034-006-ECO-K-S-EB AL/0035-006-ECO-K-S-EB
	AISI304		A/0034-006-ECO-K A/0035-006-ECO-K



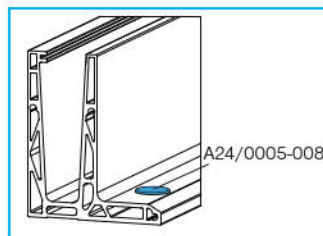
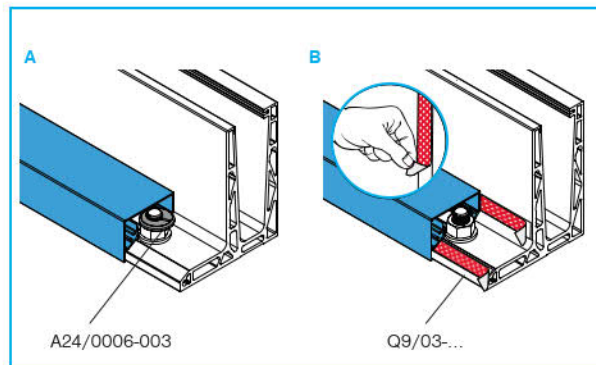
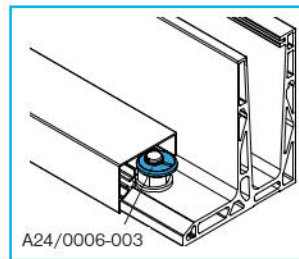
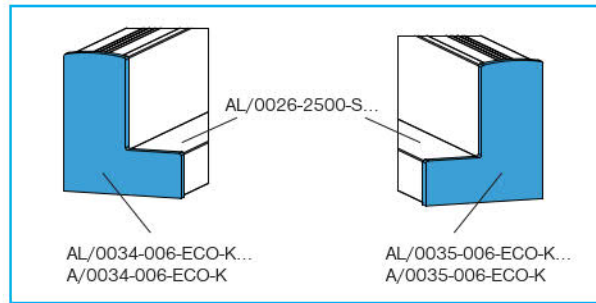
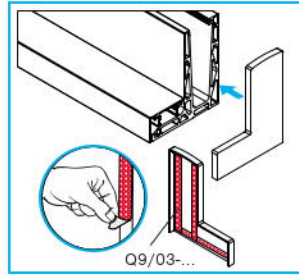
Quality	Finish	art.
PVC	black	A24/0006-003



Material	Finish	Effect	art.	L
ANODIZED ALUMINIUM	satin	silver	AL/0026-2500-S-E AL/0026-5000-S-E	2500 5000
		black	AL/0026-6000-S-E AL/0026-2500-S-EB AL/0026-5000-S-EB	6000 2500 5000

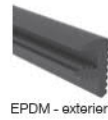
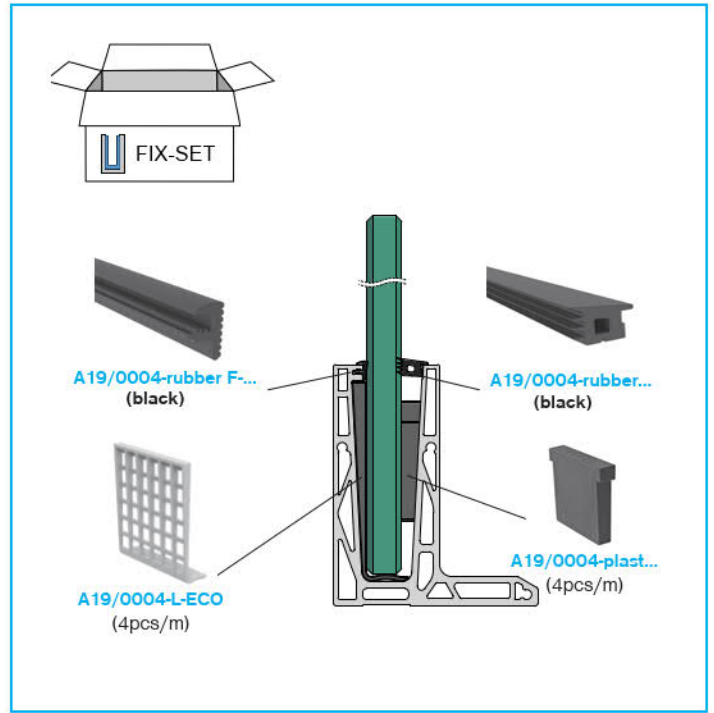


Quality	Finish	art.	D	d
PVC	gray	A24/0005-008	20	25



MODEL 0006-ECO FIX series

Glass t (mm)	L (m)	art.
12 (12)	2,5	A19/0004-012-02.5
	5	A19/0004-012-05.0
	25	A19/0004-012-25.0
12,76 (66.2)	2,5	A19/0004-013-02.5
	5	A19/0004-013-05.0
	25	A19/0004-013-25.0
16,76 (88.2)	2,5	A19/0004-017-02.5
	5	A19/0004-017-05.0
	25	A19/0004-017-25.0
17,52 (88.4)	2,5	A19/0004-018-02.5
	5	A19/0004-018-05.0
	25	A19/0004-018-25.0
20,76 (1010.2)	2,5	A19/0004-021-02.5
	5	A19/0004-021-05.0
	25	A19/0004-021-25.0
21,52 (1010.4)	2,5	A19/0004-022-02.5
	5	A19/0004-022-05.0
	25	A19/0004-022-25.0



Quality	Finish	art.	L(m)	glass t
Rubber	gray (interier)	A19/0004-F-G-02.5	2,5	12-21,52
		A19/0004-F-G-05.0	5	
		A19/0004-F-G-25.0	25	
	black (exterier)	A19/0004-F-B-02.5	2,5	
		A19/0004-F-B-05.0	5	
		A19/0004-F-B-06.0	6	
		A19/0004-F-B-25.0	25	

Quality	Finish	art.	L(m)	glass t
Rubber	gray (interier)	A19/0004-17-18-G-02.5	2,5	16,76-17,52
		A19/0004-17-18-G-05.0	5	
		A19/0004-17-18-G-25.0	25	
	black (exterier)	A19/0004-rubber12-13-02.5	2,5	
		A19/0004-rubber12-13-05.0	5	
		A19/0004-rubber12-13-06.0	6	
		A19/0004-rubber12-13-25.0	25	
		A19/0004-rubber17-18-02.5	2,5	
		A19/0004-rubber17-18-05.0	5	
		A19/0004-rubber17-18-06.0	6	
		A19/0004-rubber17-18-25.0	25	
		A19/0004-rubber21-22-02.5	2,5	
		A19/0004-rubber21-22-05.0	5	
		A19/0004-rubber21-22-06.0	6	
		A19/0004-rubber21-22-25.0	25	

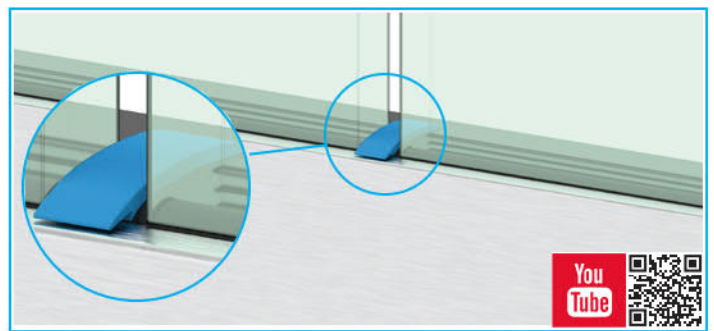
AL/0006-ECO ¹							+	
		AL/0026-...	A24/0006-003	AL ANCHORS				
ANCHORS	CHEMICAL	✓	2pcs/m	5pcs/m	5pcs/m	1pcs/m	1pcs/2,5m	

AL/0006-ECO ²							+	
		A24/0005-008	AL ANCHORS					62-63
ANCHORS	CHEMICAL	5pcs/m		5pcs/m	5pcs/m	5pcs/m	1pcs/2,5m	
	MECHANICAL	5pcs/m	5pcs/m	5pcs/m	5pcs/m			

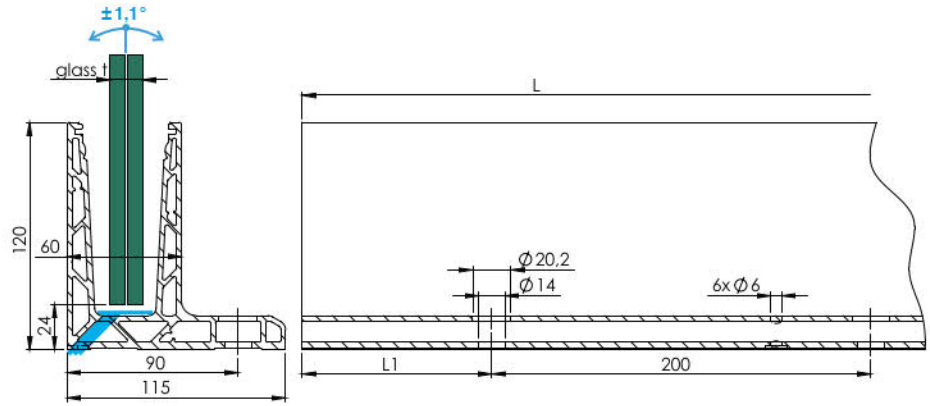
AL/0006-ECO ³						+	
		AL ANCHORS					62-63
ANCHORS	CHEMICAL		5pcs/m	5pcs/m	1pcs/m	1pcs/2,5m	
	MECHANICAL	5pcs/m					



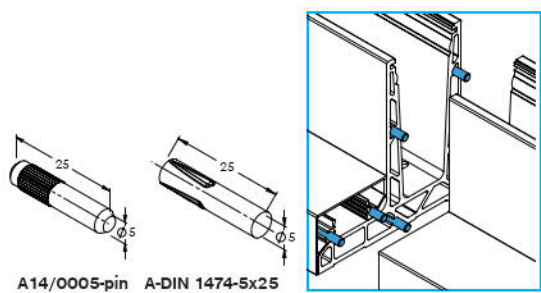
Quality	Finish	art.	L	glass t
Rubber	black	A19/0004-D-B-100	100	12-21,52



MODEL 0006-UNO FLEX series



Material	Finish	Effect	art.	L	L1	G/h	glass t			
ANODIZED ALUMINIUM	satin	silver	AL/0006-UNO-2500-S-E	2500	50				AL/0011-PRO...Drain	
			AL/0006-UNO-5000-S-E	5000	100	1kN	12,00-17,52	built in drain	✓	<i>new</i>
			AL/0006-UNO-6000-S-E	6000						



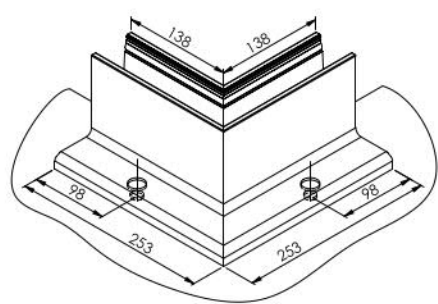
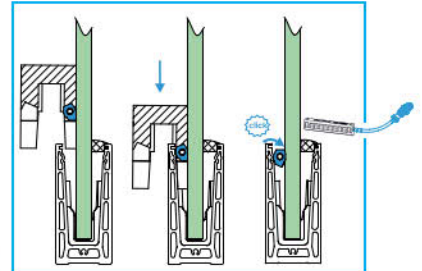
Material	Finish	art.
AISI304	satin	A-DIN 1474-5x25
AISI316		A14/0005-pin

new



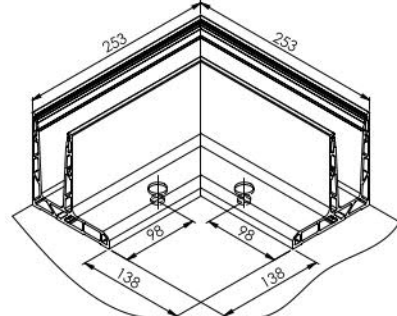
Quality	Finish	art.
PETG	gray	MP/excenter-mount

new



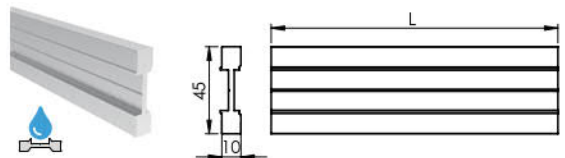
Material	Finish	Effect	art.
ANODIZED ALUMINIUM	satin	silver	AL/0006-UNO-S-E-90-IN

new



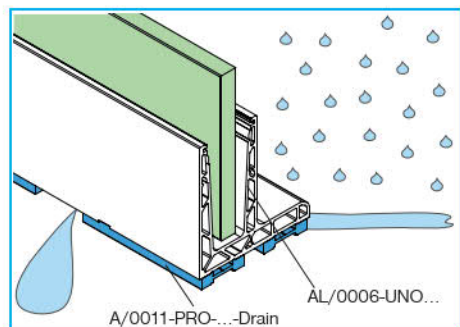
Material	Finish	Effect	art.
ANODIZED ALUMINIUM	satin	silver	AL/0006-UNO-S-E-90-OUT

new



Material	Finish	Effect	art.	L
ANODIZED ALUMINIUM	satin	silver	AL/0011-PRO-S-E-1250-Drain	1250
			AL/0011-PRO-S-E-2500-Drain	2500

new



MODEL 0006-UNO FLEX series



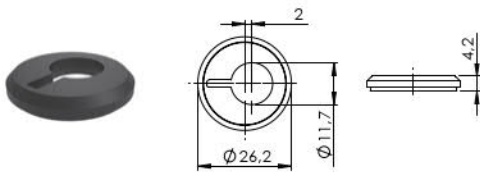
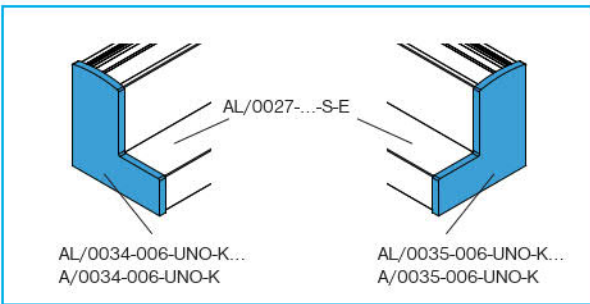
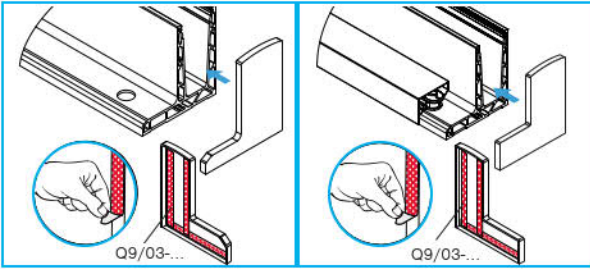
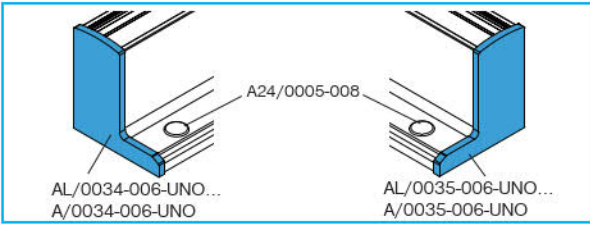
Material	Finish	Effect	art.
ANODIZED ALUMINIUM	satin	silver	AL/0034-006-UNO-S-E
			AL/0035-006-UNO-S-E

new

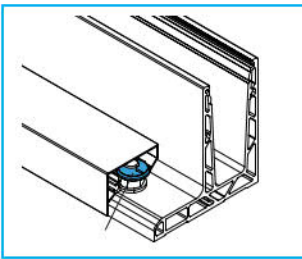


Material	Finish	Effect	art.
ANODIZED ALUMINIUM	satin	silver	AL/0034-006-UNO-K-S-E
			AL/0035-006-UNO-K-S-E

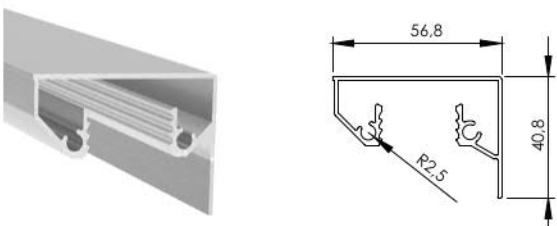
new



Quality	Finish	art.
PVC	black	A24/0006-003

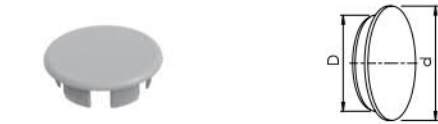
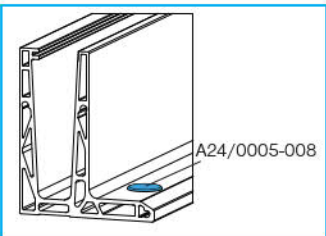
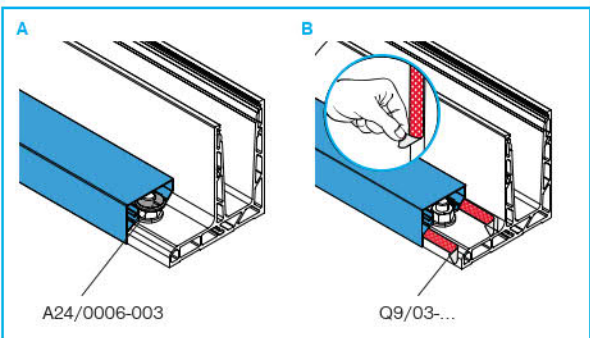


A24/0006-003



Material	Finish	Effect	art.	L
ANODIZED ALUMINIUM	satin	silver	AL/0027-2500-S-E	2500
			AL/0027-5000-S-E	5000
			AL/0027-6000-S-E	6000

new

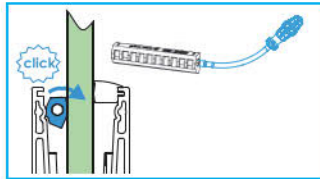


Quality	Finish	art.	D	d
PVC	gray	A24/0005-008	20	25



MODEL 0006-UNO FLEX series

Glass t (mm)	L (m)	FIX	FLEX $\pm 1.1^\circ$
12 (12)	2,5	-	A19/FLEX1-012-SET-02.5
	5		A19/FLEX1-012-SET-05.0
12,76 (6.6.2)	2,5		A19/FLEX1-013-SET-02.5
	5		A19/FLEX1-013-SET-05.0
16,76 (8.8.2)	2,5		A19/FLEX1-017-SET-02.5
	5		A19/FLEX1-017-SET-05.0
17,52 (8.8.4)	2,5	A19/FLEX1-018-SET-02.5	
	5	A19/FLEX1-018-SET-05.0	



art.	total length	ext. square
Q8/70-275-PRO	275mm	1/4"

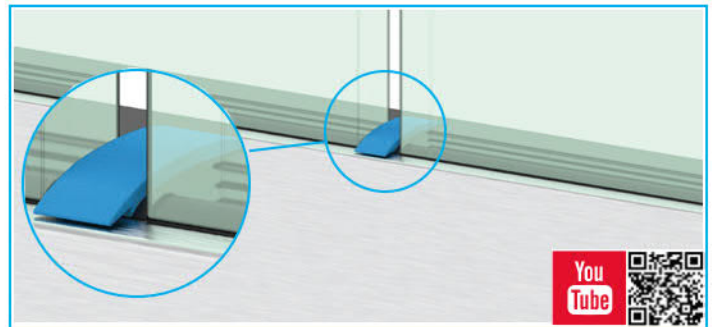
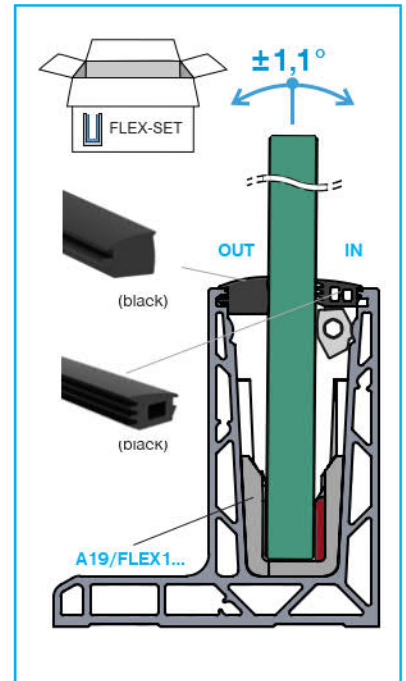


Quality	Finish	art.	L	glass t
Rubber	black	A19/0004-D-B-100	100	12-21,52



art.	use
AL/glass-mont-PRO	FLEX/FIX

new



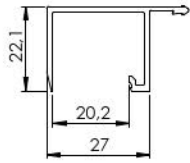
AL/0006-UNO ¹							+	
	AL/0027-...	A24/0006-003	AL ANCHORS 62-63					
ANCHORS	CHEMICAL	✓	2pcs/m	5pcs/m	5pcs/m	1pcs/m	1pcs/2,5m	

AL/0006-UNO ²						+	
	A24/0005-008	AL ANCHORS 62-63					
ANCHORS	CHEMICAL	5pcs/m	5pcs/m	5pcs/m	5pcs/m	1pcs/2,5m	
ANCHORS	MECHANICAL	5pcs/m	5pcs/m	5pcs/m	5pcs/m		

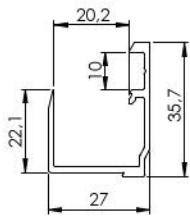
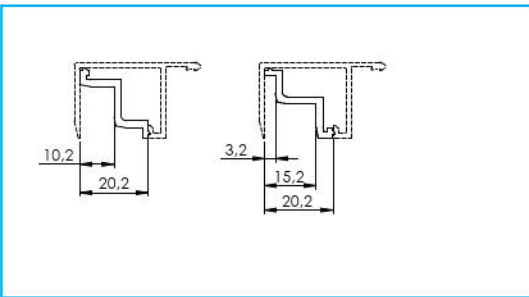
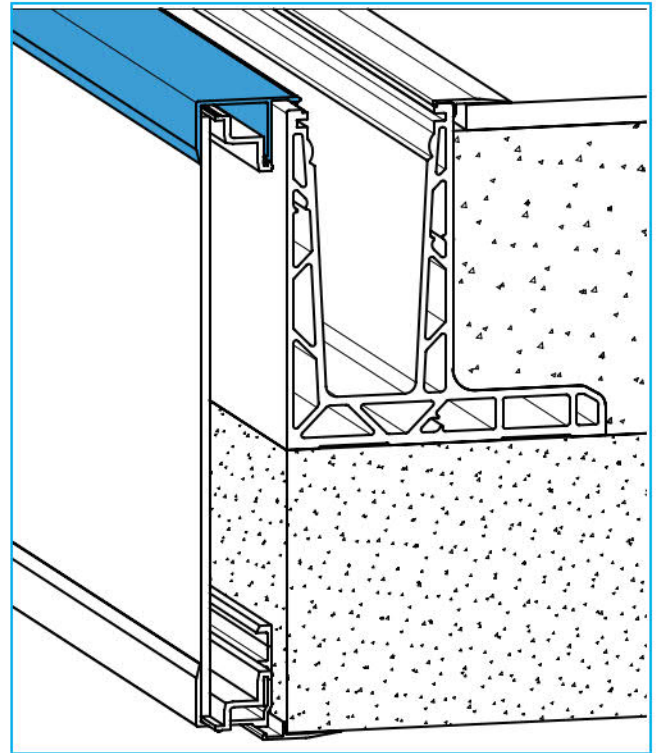
AL/0006-UNO ³						+	
		AL ANCHORS 62-63					
ANCHORS	CHEMICAL		5pcs/m	5pcs/m	1pcs/m	1pcs/2,5m	
ANCHORS	MECHANICAL	5pcs/m					



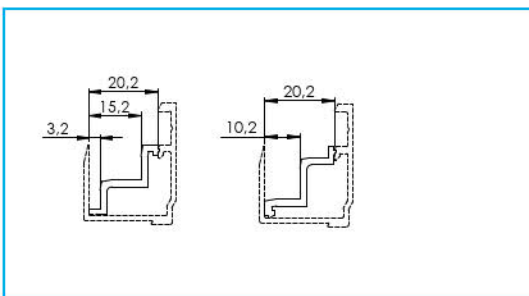
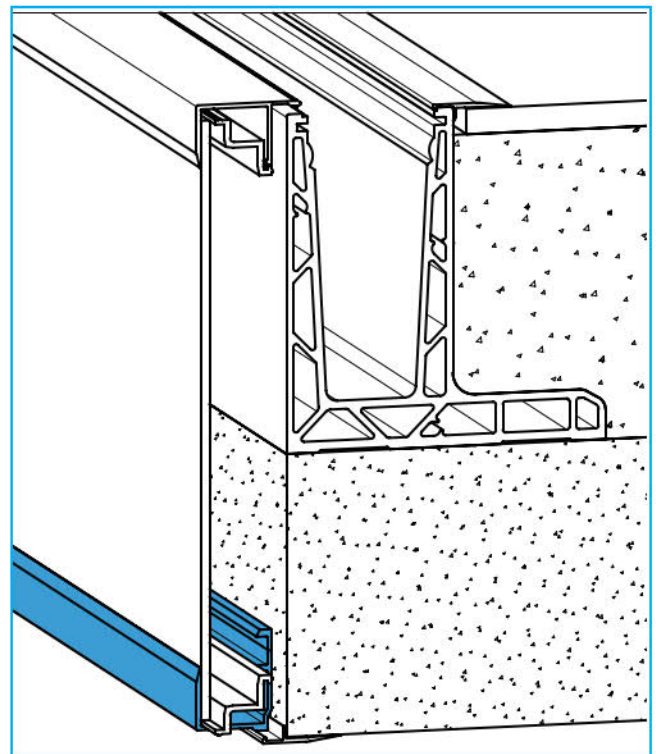
MODEL 0006-UNO CONNECTION PROFILES - TOP MOUNT



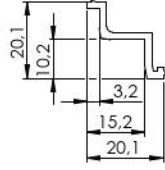
Material	Finish	Effect	art.	L
ANODIZED ALUMINIUM	satin	silver	AL/0051-2500-S-E	2500
			AL/0051-5000-S-E	5000 <i>new</i>
			AL/0051-6000-S-E	6000



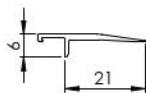
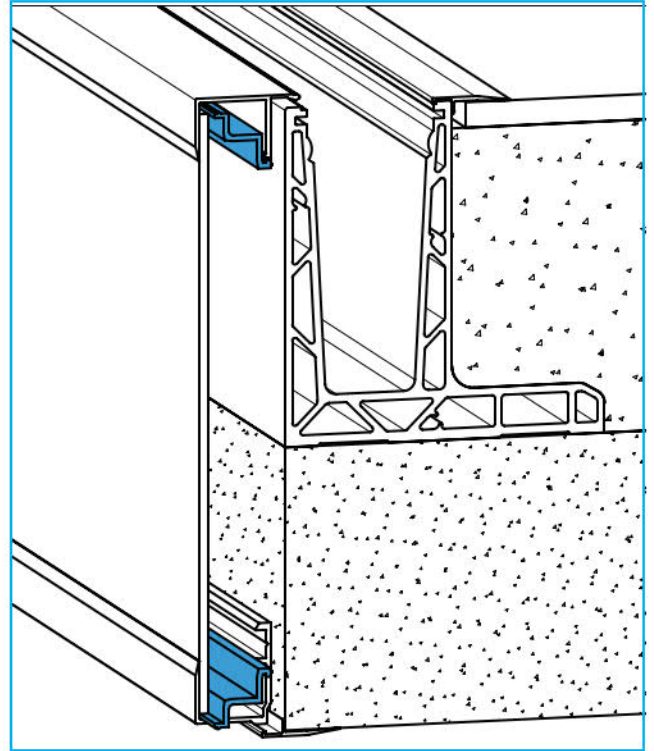
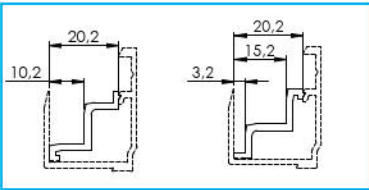
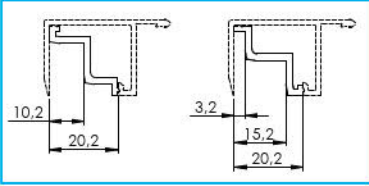
Material	Finish	Effect	art.	L
ANODIZED ALUMINIUM	satin	silver	AL/0052-2500-S-E	2500
			AL/0052-5000-S-E	5000 <i>new</i>
			AL/0052-6000-S-E	6000



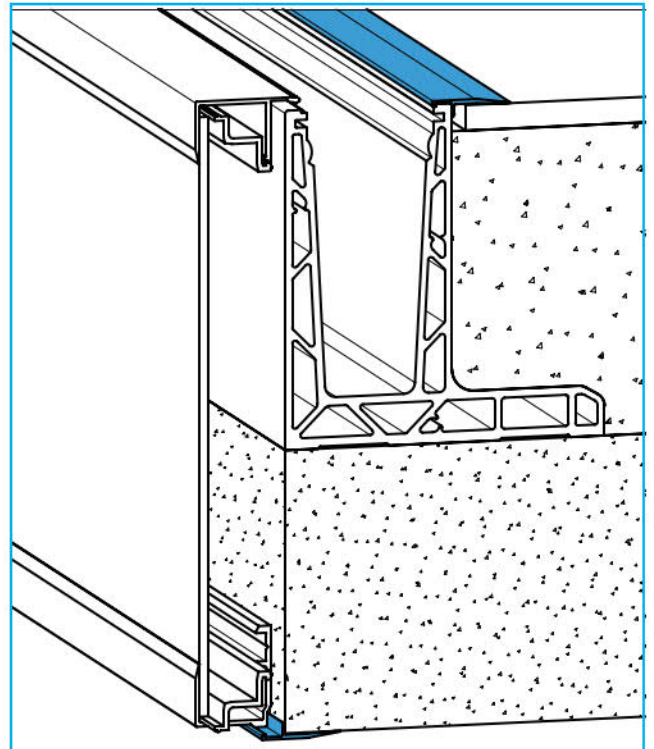
MODEL 0006-UNO CONNECTION PROFILES - TOP MOUNT

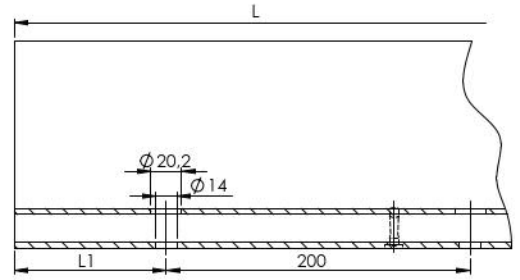
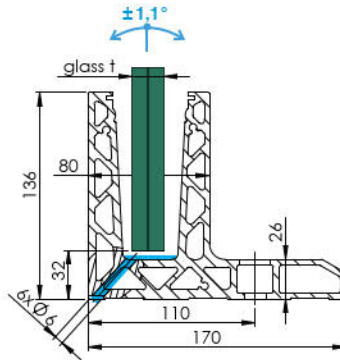


Material	Finish	Effect	art.	L
ANODIZED ALUMINIUM	natur	silver	AL/0053-2500-N-E	2500
			AL/0053-5000-N-E	5000 <i>new</i>
			AL/0053-6000-N-E	6000



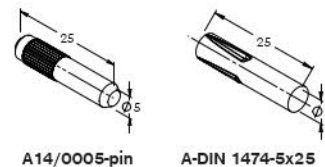
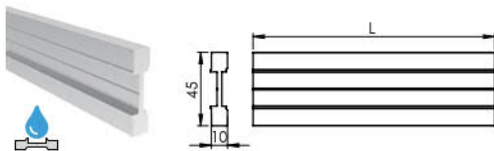
Material	Finish	Effect	art.	L
ANODIZED ALUMINIUM	satin	silver	AL/0054-2500-S-E	2500
			AL/0054-5000-S-E	5000 <i>new</i>
			AL/0054-6000-S-E	6000



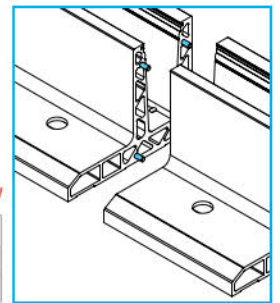


Material	Finish	Effect	art.	L	L1	G/h	glass t			
ANODIZED ALUMINIUM	satin	silver	AL/0018-2500-S-E	2500	50	3kN	16,76-31,52	built in drain	✓	±1,1°
			AL/0018-5000-S-E	5000	100					
			AL/0018-6000-S-E	6000						

new



new



Material	Finish	Effect	art.	L
ANODIZED ALUMINIUM	satin	silver	AL/0011-PRO-S-E-1250-Drain	1250
			AL/0011-PRO-S-E-2500-Drain	2500

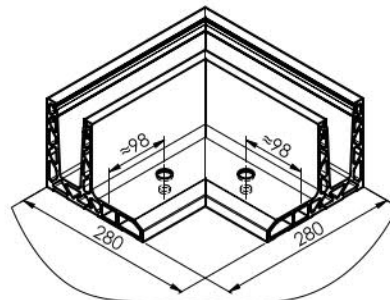
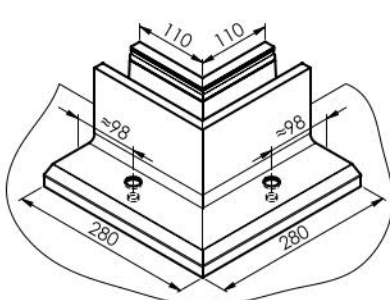
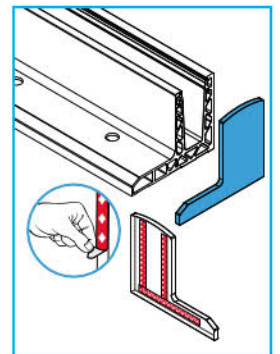
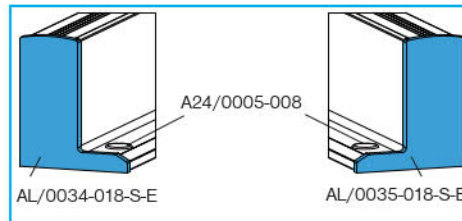
new

Material	Finish	art.
AISI304		A-DIN 1474-5x25
AISI316	satin	A14/0005-pin



Material	Finish	Effect	art.
ANODIZED ALUMINIUM	satin	silver	AL/0034-018-S-E
			AL/0035-018-S-E

new



Material	Finish	Effect	art.
ANODIZED ALUMINIUM	satin	silver	AL/0018-S-E-90-IN

new

Material	Finish	Effect	art.
ANODIZED ALUMINIUM	satin	silver	AL/0018-S-E-90-OUT

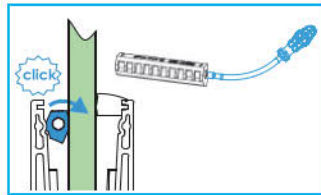
new

MODEL 0018 FLEX/FIX series

Glass t (mm)	L (m)	FIX	FLEX $\pm 1.1^\circ$
16,76 (8.8.2)	2,5 5		A19/FLEX2-017-SET-02.5 A19/FLEX2-017-SET-05.0
17,52 (8.8.4)	2,5 5		A19/FLEX2-018-SET-02.5 A19/FLEX2-018-SET-05.0
20,76 (10.10.2)	2,5 5		A19/FLEX2-021-SET-02.5 A19/FLEX2-021-SET-05.0
21,52 (10.10.4)	2,5 5		A19/FLEX2-022-SET-02.5 A19/FLEX2-022-SET-05.0
24,76 (12.12.2)	2,5 5	A19/FIX2-25-SET-02.5 A19/FIX2-25-SET-05.0	
25,52 (12.12.4)	2,5 5	A19/FIX2-26SET-02.5 A19/FIX2-26-SET-05.0	
31,52 (15.15.4)	2,5 5	A19/FIX2-32-SET-02.5 A19/FIX2-32-SET-05.0	



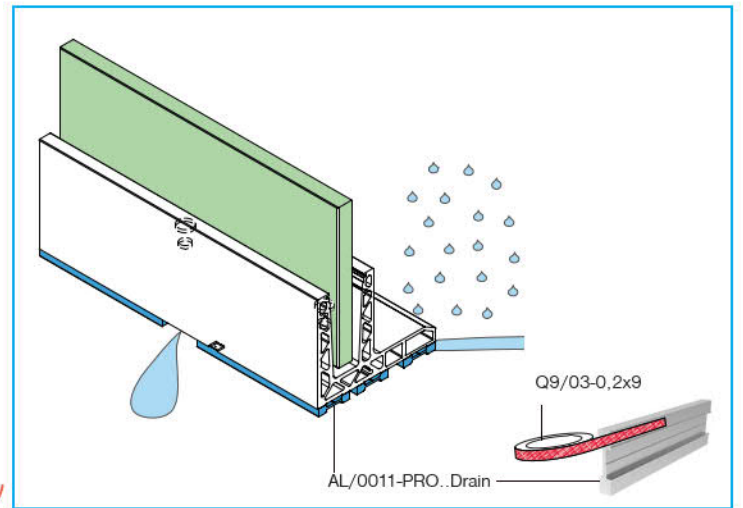
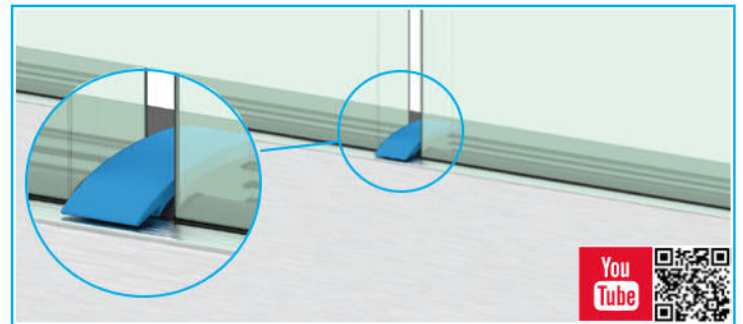
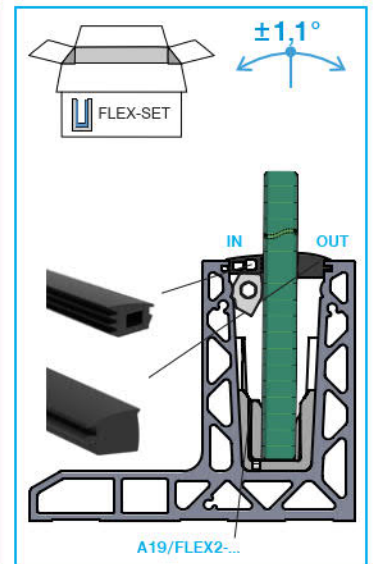
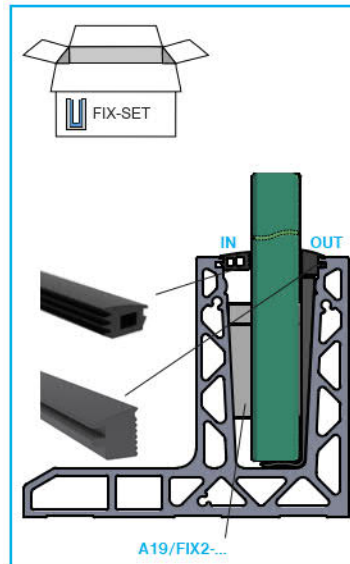
Quality	Finish	art.	L	glass t
Rubber	black	A19/0004-D-B-100	100	12-21,52



art.	total length	ext. square
Q8/70-275-PRO	275mm	1/4"



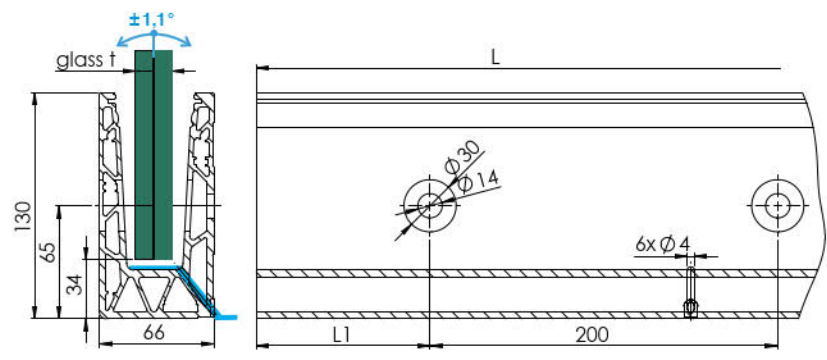
art.	use
AL/glass-mont-PRO	FLEX/FIX



AL/0018...						+	
	A24/0005-008						
CHEMICAL	5pcs/m		5pcs/m	5pcs/m	5pcs/m		1pcs/2,5m
MECHANICAL	5pcs/m	5pcs/m	5pcs/m	5pcs/m			

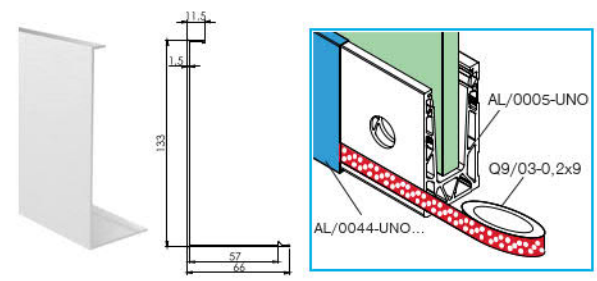
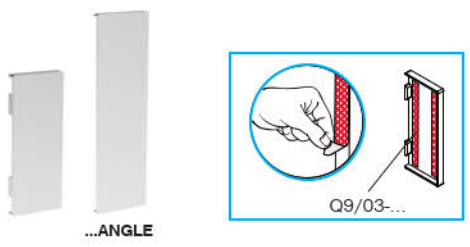
AL ANCHORS 62-63

MODEL 0005-UNO FLEX series



Material	Finish	Effect	art.	L	L1	G/h	glass t		
ANODIZED ALUMINIUM	satin	silver	AL/0005-UNO-2500-S-E	2500	50	1kN	12,00 - 17,52	A/0011-PRO-S-E...Drain	built in drain
			AL/0005-UNO-5000-S-E	5000	100				
			AL/0005-UNO-6000-S-E	6000	100				

new



Material	Finish	Effect	art.
ANODIZED ALUMINIUM	satin	silver	AL/0034-005-UNO-S-E
		silver	AL/0034-005-UNO-S-E-ANGLE

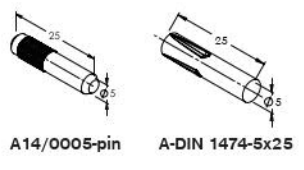
new

Material	Finish	Effect	art.	L	Q9/03...
ANODIZED ALUMINIUM	satin	silver	AL/0047-2500-S-E	2500	✓
			AL/0047-5000-S-E	5000	
			AL/0047-6000-S-E	6000	

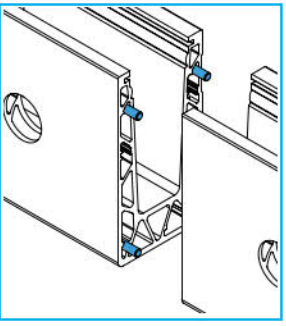
new



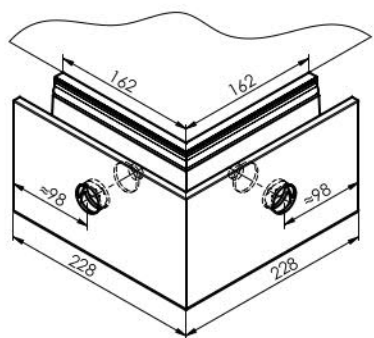
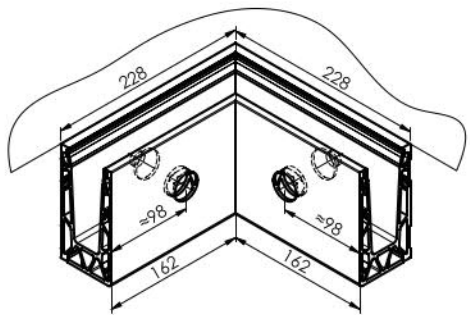
Material	Finish	art.	D	d
PVC	gray	A24/0005-009	30	35



Material	Finish	art.
AISI304	satin	A-DIN 1474-5x25
AISI316		A14/0005-pin



new

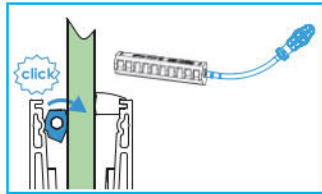


Material	Finish	Effect	art.
ANODIZED ALUMINIUM	satin	silver	AL/0005-UNO-S-E-90-IN

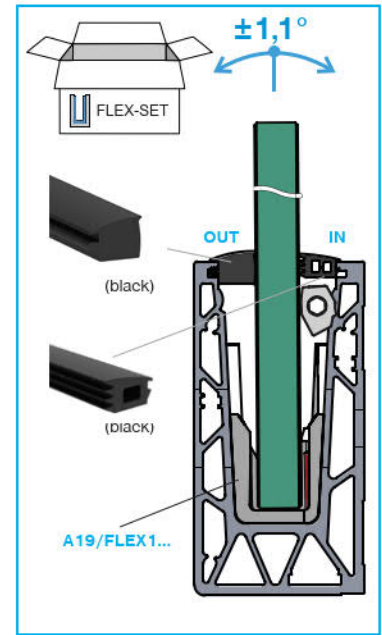
Material	Finish	Effect	art.
ANODIZED ALUMINIUM	satin	silver	AL/0005-UNO-S-E-90-OUT

MODEL 0005-UNO FLEX series

Glass t (mm)	L (m)	FIX	FLEX $\pm 1.1^\circ$
12 (12)	2,5 5		A19/FLEX1-012-SET-02.5 A19/FLEX1-012-SET-05.0
12,76 (6.6.2)	2,5 5		A19/FLEX1-013-SET-02.5 A19/FLEX1-013-SET-05.0
16,76 (8.8.2)	2,5 5		A19/FLEX1-017-SET-02.5 A19/FLEX1-017-SET-05.0
17,52 (8.8.4)	2,5 5		A19/FLEX1-018-SET-02.5 A19/FLEX1-018-SET-05.0



art.	total length	ext. square
Q8/70-275-PRO	275mm	1/4"

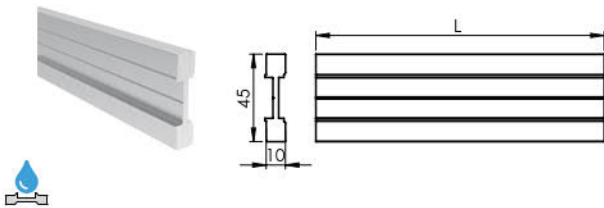


art.	use
AL/glass-mont-PRO	FLEX/FIX

new

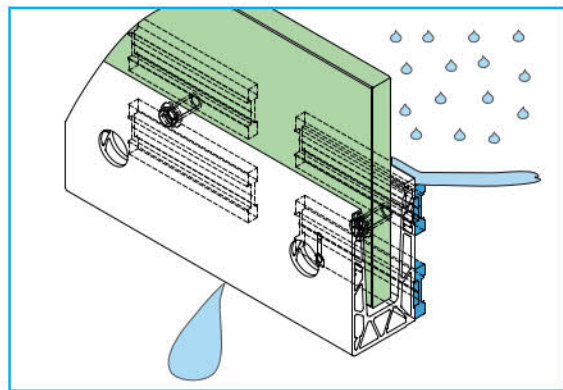
Quality	Finish	art.
PETG	gray	A19/glass-stop

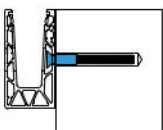



new



Material	Finish	Effect	art.	L
ANODIZED ALUMINIUM	satín	silver	AL/0011-PRO-S-E-1250-Drain	1250
			AL/0011-PRO-S-E-2500-Drain	2500

new

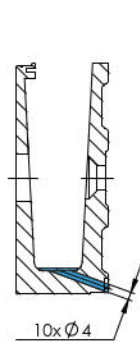


AL/0005-UNO ANCHORS			
			
	AL ANCHORS   62-63		
CHEMICAL		5pcs/m	1pcs/2,5m
MECHANICAL	5pcs/m		

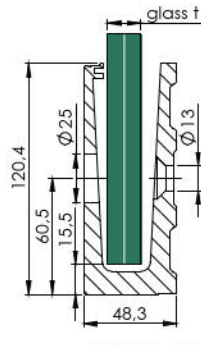


Quality	Finish	art.	L	glass t
Rubber	black	A19/0004-D-B-100	100	12-21,52

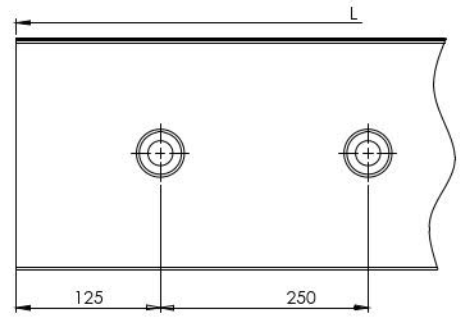
MODEL 0005-D FIX series



AL/0005-D..Drain



AL/0005-D...S-E
AL/0005-D...S-EB

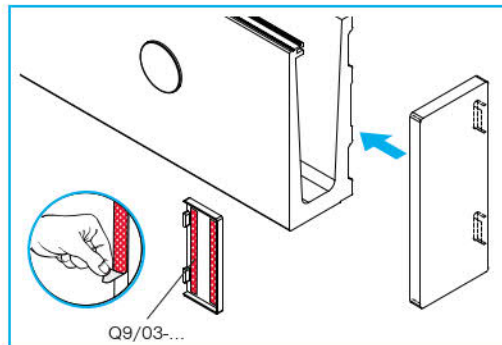


Material	Finish	Effect	art.	L	L1	G/h	glass t				
ANODIZED ALUMINIUM	silver		AL/0005-D-1250-S-E	1250	125	1kN	12,00 - 21,52	✓	-		
			AL/0005-D-2500-S-E	2500							
			AL/0005-D-5000-S-E	5000							
	black		AL/0005-D-5000-S-E-Drain	5000						✓	✓
			AL/0005-D-6000-S-E	6000							
			AL/0005-D-2500-S-EB	2500							
		AL/0005-D-5000-S-EB	5000								



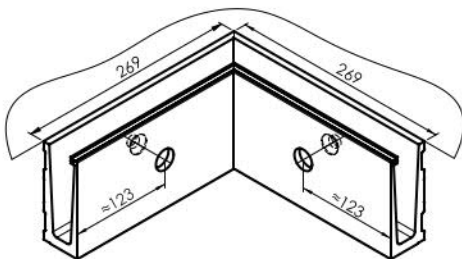
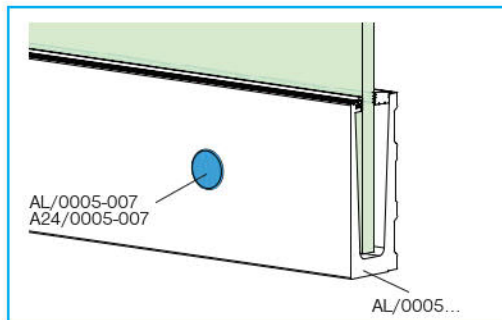
...ANGLE

Material	Finish	Effect	art.
ANODIZED ALUMINIUM	satin	silver	AL/0034-005-D-S-E
		black	AL/0034-005-D-S-EB
		silver	AL/0034-005-D-S-E-ANGLE <i>new</i>

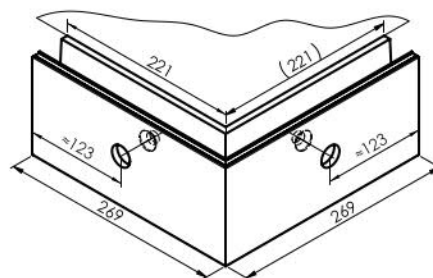


A24/0005-007 AL/0005-007

Material	Finish	art.	D	d
ANODIZED ALUMINIUM	satin	AL/0005-007	25	30
PVC	gray	A24/0005-007		



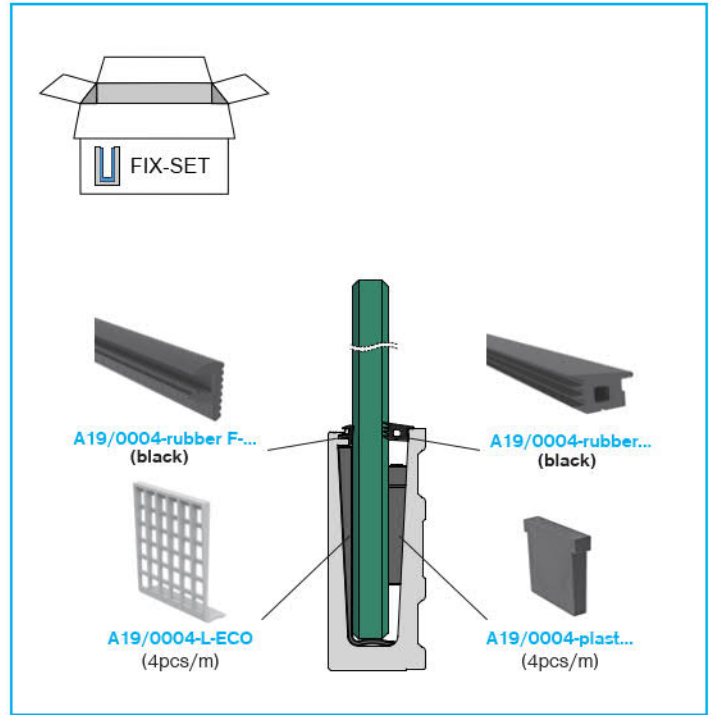
Material	Finish	Effect	art.
ANODIZED ALUMINIUM	satin	silver	AL/0005-D-S-E-90-IN
		black	AL/0005-D-S-EB-90-IN



Material	Finish	Effect	art.
ANODIZED ALUMINIUM	satin	silver	AL/0005-D-S-E-90-OUT
		black	AL/0005-D-S-EB-90-OUT

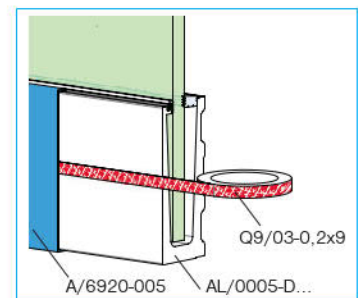
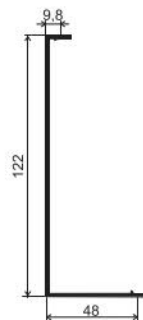
MODEL 0005-D FIX series

Glass t (mm)	L (m)	art.
12 (12)	2,5	A19/0004-012-02.5
	5	A19/0004-012-05.0
	25	A19/0004-012-25.0
12,76 (66.2)	2,5	A19/0004-013-02.5
	5	A19/0004-013-05.0
	25	A19/0004-013-25.0
16,76 (88.2)	2,5	A19/0004-017-02.5
	5	A19/0004-017-05.0
	25	A19/0004-017-25.0
17,52 (88.4)	2,5	A19/0004-018-02.5
	5	A19/0004-018-05.0
	25	A19/0004-018-25.0
20,76 (1010.2)	2,5	A19/0004-021-02.5
	5	A19/0004-021-05.0
	25	A19/0004-021-25.0
21,52 (1010.4)	2,5	A19/0004-022-02.5
	5	A19/0004-022-05.0
	25	A19/0004-022-25.0



Quality	Finish	art.	L(m)	glass t
Rubber	gray (interier)	A19/0004-F-G-02.5	2,5	12-21,52
		A19/0004-F-G-05.0	5	
		A19/0004-F-G-25.0	25	
	black (exterier)	A19/0004-F-B-02.5	2,5	
		A19/0004-F-B-05.0	5	
		A19/0004-F-B-06.0	6	
A19/0004-F-B-25.0	25			

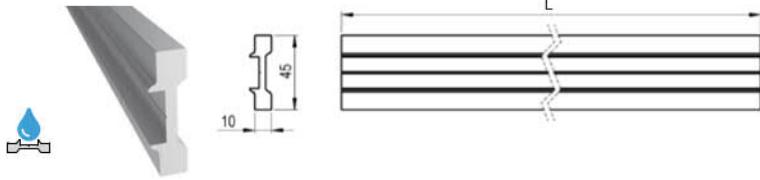
Quality	Finish	art.	L(m)	glass t
Rubber	gray (interier)	A19/0004-17-18-G-02.5	2,5	12,76-17,52
		A19/0004-17-18-G-05.0	5	
		A19/0004-17-18-G-25.0	25	
	black (exterier)	A19/0004-rubber12-13-02.5	2,5	
		A19/0004-rubber12-13-05.0	5	
		A19/0004-rubber12-13-06.0	6	
		A19/0004-rubber12-13-25.0	25	
		A19/0004-rubber17-18-02.5	2,5	
		A19/0004-rubber17-18-05.0	5	
	black (exterier)	A19/0004-rubber17-18-06.0	6	
		A19/0004-rubber17-18-25.0	25	
		A19/0004-rubber21-22-02.5	2,5	
		A19/0004-rubber21-22-05.0	5	
		A19/0004-rubber21-22-06.0	6	
		A19/0004-rubber21-22-25.0	25	



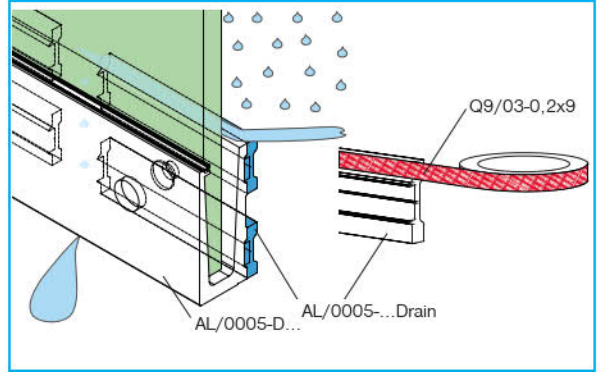
Material	Finish	Effect	art.	L	Q9/03...
ANODIZED ALUMINIUM	satin	silver	AL/0044-2500-S-E	2500	✓
			AL/0044-5000-S-E	5000	
		black	AL/0044-2500-S-EB	2500	
			AL/0044-5000-S-EB	5000	
CORTEN	raw		CA/0044-2500-CORTEN	2500	



MODEL 0005-D FIX series

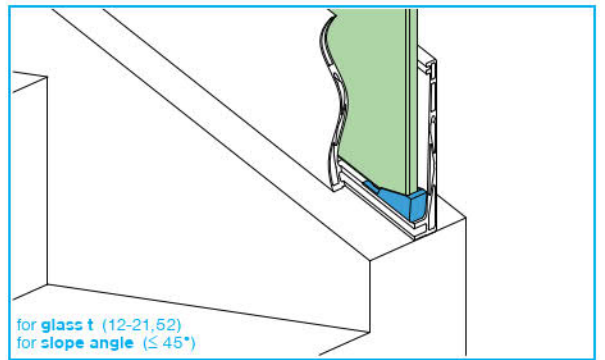


Material	Finish	Effect	art.	compatibility	L
ANODIZED ALUMINIUM	satin	silver	AL/0005-S-E-1250-Drain	AL/0005-D-1250-S-E	1250
			AL/0005-S-E-2500-Drain	AL/0005-D-2500-S-E AL/0005-D-5000-S-E AL/0005-D-6000-S-E	
		black	AL/0005-S-EB-2500-Drain	AL/0005-D-2500-S-EB AL/0005-D-5000-S-EB	2500

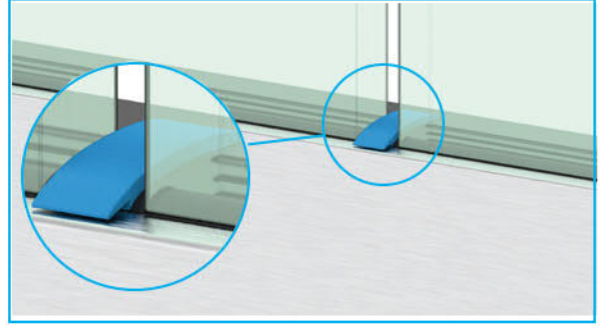


Quality	Finish	art.
PETG	gray	A19/glass-stop

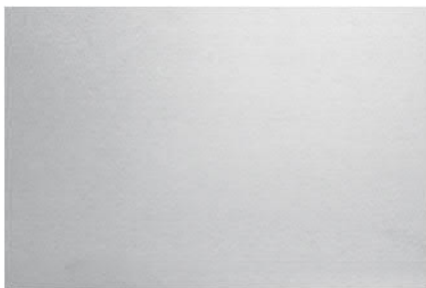
new



Quality	Finish	art.	L	glass t
Rubber	black	A19/0004-D-B-100	100	12-21,52



AL/0005-D			+	
		AL ANCHORS 62-63		
ANCHORS	CHEMICAL		5pcs/m	1pcs/2,5m
	MECHANICAL	5pcs/m		



Material	Finish	Effect
ANODIZED ALUMINIUM	natural	silver



Material	Finish	Effect
ANODIZED ALUMINIUM	natural	black
	satin	



Material	Finish
CORTEN	raw



Material	Finish	Effect
ANODIZED ALUMINIUM	satin	silver



Material	Finish	Effect
ANODIZED ALUMINIUM	satin	INOX

umakov[®]

POWDER COATING RAL
(for profiles, handrails and various components)

Material	Finish	Effect
INOX / ALUMINIUM	RAL	any color

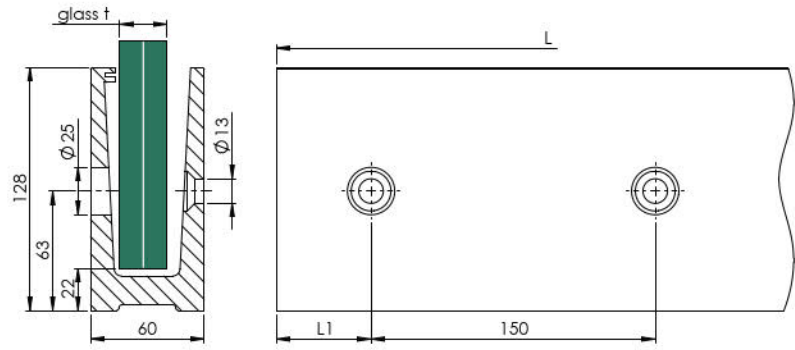
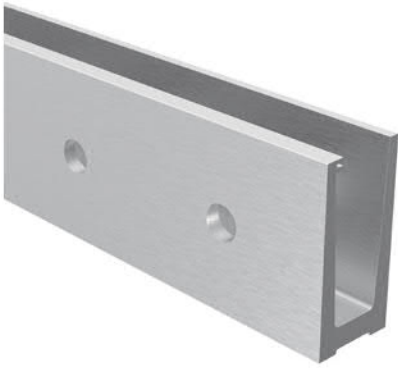
new

STATIC TEST F=max 5kN

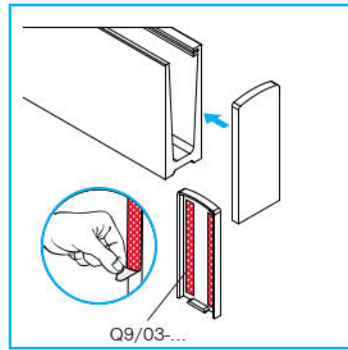


DYNAMIC TEST G=50kg

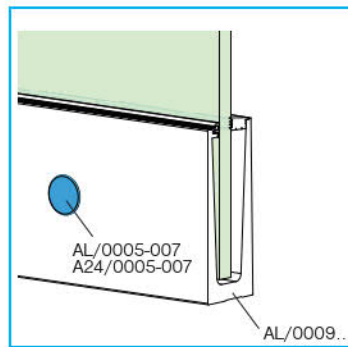




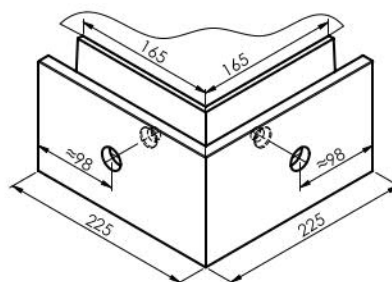
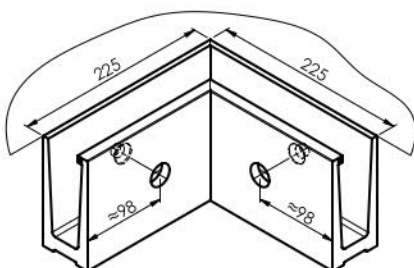
Material	Finish	Effect	art.	L	L1	G/h	glass t
ANODIZED ALUMINIUM	satin	silver	AL/0009-2500-S-E	2500	50	3kN	21,52-25,52
			AL/0009-5000-S-E	5000	100		



Material	Finish	Effect	art.
ANODIZED ALUMINIUM	satin	silver	AL/0038-004-S-E



Material	Finish	art.	D	d
ANODIZED ALUMINIUM	satin	AL/0005-007	25	30
PVC	gray	A24/0005-007		

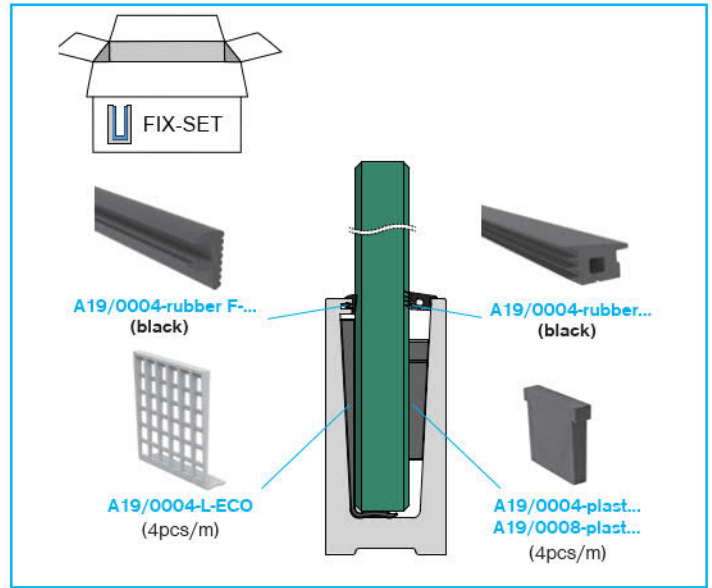


Material	Finish	Effect	art.
ANODIZED ALUMINIUM	satin	silver	AL/0009-S-E-90-IN

Material	Finish	Effect	art.
ANODIZED ALUMINIUM	satin	silver	AL/0009-S-E-90-OUT

MODEL 0009 FIX series

Glass t (mm)	L (m)	art.
21,52 (1010.4)	2,5	A19/0004-012-02.5
	5	A19/0004-012-05.0
	25	A19/0004-012-25.0
25,52 (1212.4)	2,5	A19/0008-026-02.5
	5	A19/0008-026-05.0
	25	A19/0008-026-25.0



PVC-P - interior



EPDM - exterior

Quality	Finish	art.	L(m)	glass t
Rubber	gray (interier)	A19/0004-F-G-02.5	2,5	12-21,52
		A19/0004-F-G-05.0	5	
		A19/0004-F-G-25.0	25	
	black (exterier)	A19/0004-F-B-02.5	2,5	
		A19/0004-F-B-05.0	5	
		A19/0004-F-B-06.0	6	
		A19/0004-F-B-25.0	25	



PVC-P - interior

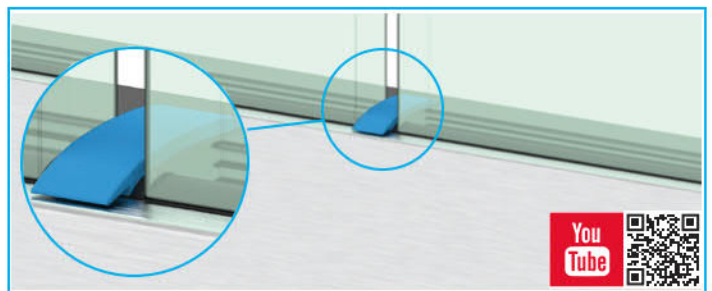


EPDM - exterior

Quality	Finish	art.	L(m)	glass t	
Rubber	gray (interier)	A19/0004-17-18-G-02.5	2,5	16,76-17,52	
		A19/0004-17-18-G-05.0	5		
		A19/0004-17-18-G-25.0	25		
		black (exterier)	A19/0004-rubber12-13-02.5		2,5
			A19/0004-rubber12-13-05.0		5
			A19/0004-rubber12-13-06.0		6
	A19/0004-rubber12-13-25.0		25		
	A19/0004-rubber17-18-02.5		2,5		
	A19/0004-rubber17-18-05.0		5		
	black (exterier)	A19/0004-rubber17-18-06.0	6		
		A19/0004-rubber17-18-25.0	25		
		A19/0004-rubber21-22-02.5	2,5		
		A19/0004-rubber21-22-05.0	5		
		A19/0004-rubber21-22-06.0	6		
		A19/0004-rubber21-22-25.0	25		



Quality	Finish	art.	L	glass t
Rubber	black	A19/0004-D-B-100	100	12-21,52



AL/0009

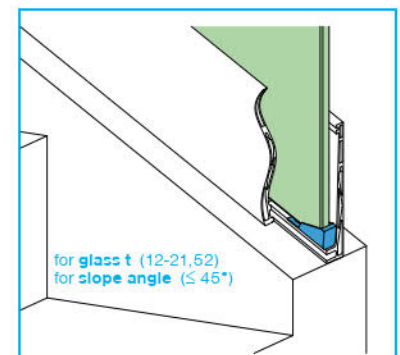
AL ANCHORS

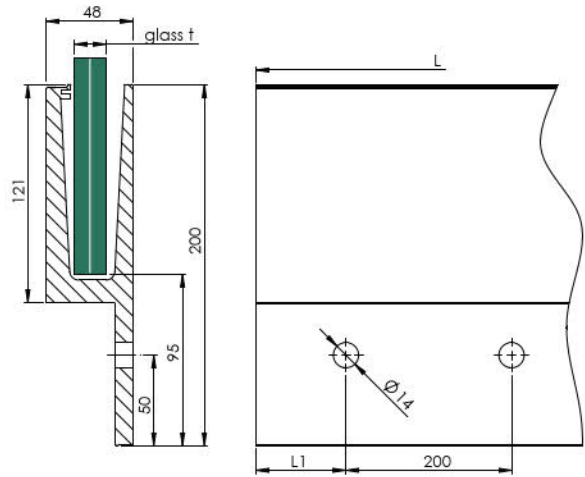
62-63

ANCHORS	CHEMICAL	7 pcs/m	1pcs/2m
---------	----------	---------	---------



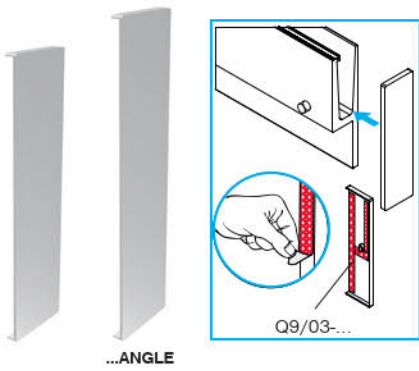
Quality	Finish	art.
PETG	gray	A19/glass-stop





Material	Finish	Effect	art.	L	L1	G/h	glass t
ANODIZED ALUMINIUM	natural	silver	AL/0011-1250-N-E	1250		3kN	12-21,52
			AL/0011-2500-N-E	2500	50		
		AL/0011-5000-N-E	5000	100			
		AL/0011-6000-N-E	6000				
	black	AL/0011-2500-N-EB	2500	50			
		AL/0011-5000-N-EB	5000	100			

top

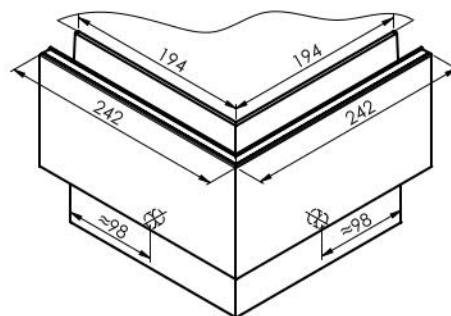
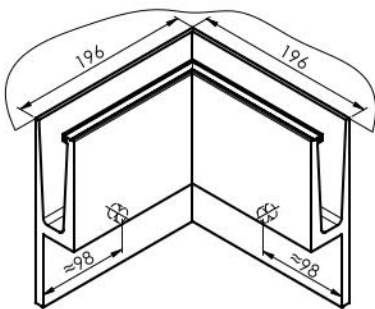


...ANGLE

Material	Finish	Effect	art.
ANODIZED ALUMINIUM	satin	silver	AL/0034-011-S-E
		black	AL/0034-011-S-EB
		silver	AL/0034-011-S-E-ANGLE <i>new</i>



Material	Finish	Effect	art.	L
ANODIZED ALUMINIUM	satin	silver	AL/0045-2500-S-E	2500
		black	AL/0045-5000-S-E	5000
		black	AL/0045-2500-S-EB	2500
		black	AL/0045-5000-S-EB	5000
CORTEN	raw		CA/0045-2500-CORTEN	2500

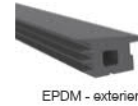
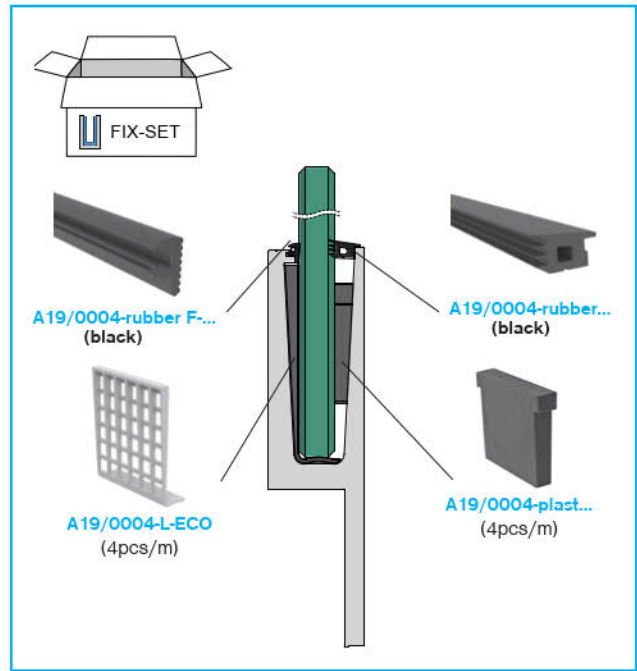


Material	Finish	Effect	art.
ANODIZED ALUMINIUM	satin	silver	AL/0011-N-E-90-IN
	natural	black	AL/0011-N-EB-90-IN

Material	Finish	Effect	art.
ANODIZED ALUMINIUM	satin	silver	AL/0011-N-E-90-OUT
	natural	black	AL/0011-N-EB-90-OUT

MODEL 0011 FIX series

Glass t (mm)	L (m)	art.
12 (12)	2,5	A19/0004-012-02.5
	5	A19/0004-012-05.0
	25	A19/0004-012-25.0
12,76 (66.2)	2,5	A19/0004-013-02.5
	5	A19/0004-013-05.0
	25	A19/0004-013-25.0
16,76 (88.2)	2,5	A19/0004-017-02.5
	5	A19/0004-017-05.0
	25	A19/0004-017-25.0
17,52 (88.4)	2,5	A19/0004-018-02.5
	5	A19/0004-018-05.0
	25	A19/0004-018-25.0
20,76 (1010.2)	2,5	A19/0004-021-02.5
	5	A19/0004-021-05.0
	25	A19/0004-021-25.0
21,52 (1010.4)	2,5	A19/0004-022-02.5
	5	A19/0004-022-05.0
	25	A19/0004-022-25.0

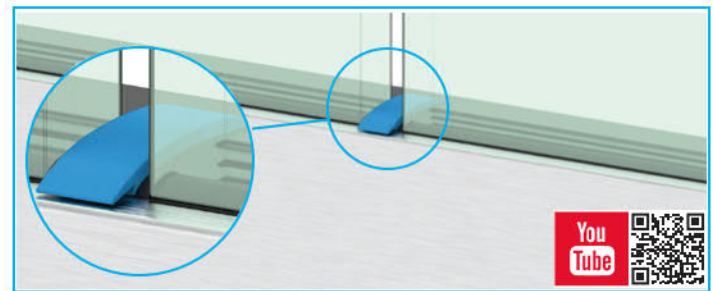


Quality	Finish	art.	L(m)	glass t
Rubber	gray (interier)	A19/0004-F-G-02.5	2,5	12-21,52
		A19/0004-F-G-05.0	5	
		A19/0004-F-G-25.0	25	
	black (exterier)	A19/0004-F-B-02.5	2,5	
		A19/0004-F-B-05.0	5	
		A19/0004-F-B-06.0	6	
		A19/0004-F-B-25.0	25	

Quality	Finish	art.	L(m)	glass t		
Rubber	gray (interier)	A19/0004-17-18-G-02.5	2,5	16,76-17,52		
		A19/0004-17-18-G-05.0	5			
		A19/0004-17-18-G-25.0	25			
		black (exterier)	A19/0004-rubber12-13-02.5		2,5	12,76-13,52
			A19/0004-rubber12-13-05.0		5	
			A19/0004-rubber12-13-06.0		6	
			A19/0004-rubber12-13-25.0	25		
			A19/0004-rubber17-18-02.5	2,5	16,76-17,52	
			A19/0004-rubber17-18-05.0	5		
			A19/0004-rubber17-18-06.0	6		
			A19/0004-rubber17-18-25.0	25		
			A19/0004-rubber21-22-02.5	2,5		20,76-21,52
			A19/0004-rubber21-22-05.0	5		
			A19/0004-rubber21-22-06.0	6		
			A19/0004-rubber21-22-25.0	25		



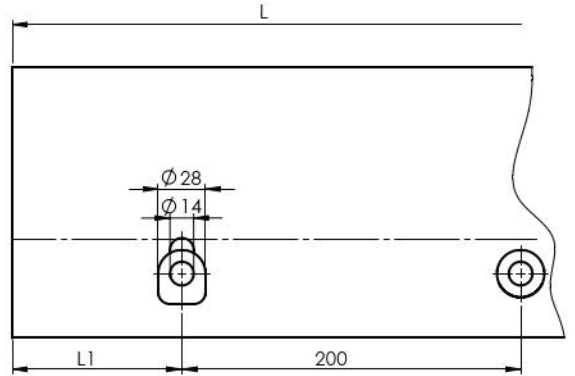
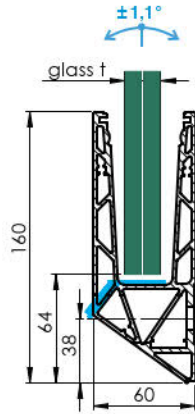
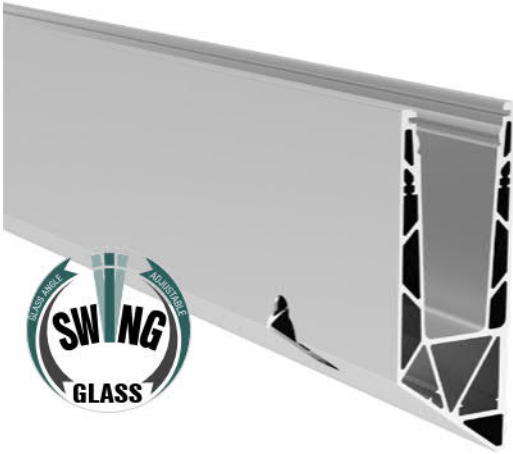
Quality	Finish	art.	L	glass t
Rubber	black	A19/0004-D-B-100	100	12-21,52



AL/0011	ANCHORS				
CHEMICAL	5pcs/m				
MECHANICAL		5pcs/m	5pcs/m	1pcs/m	1pcs/2,5m

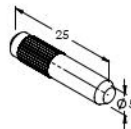
AL ANCHORS → 62-63

MODEL 0011-LIGHT FLEX/FIX series

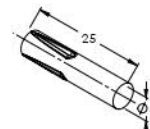


Material	Finish	Effect	art.	L	L1	G/h	glass t		
ANODIZED ALUMINIUM	natural	silver	AL/0011-LIGHT-2500-N-E	2500	50	0,5kN	12-17,52	built in drain	±1,1°
			AL/0011-LIGHT-5000-N-E	5000	100				
			AL/0011-LIGHT-6000-N-E	6000					

new

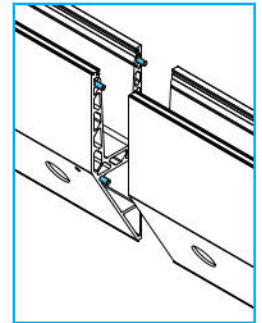


A14/0005-pin

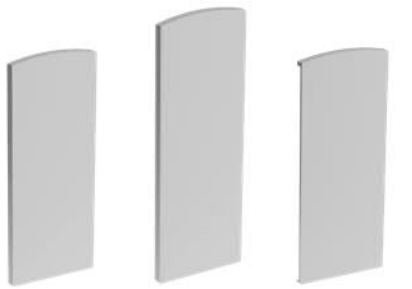


A-DIN 1474-5x25

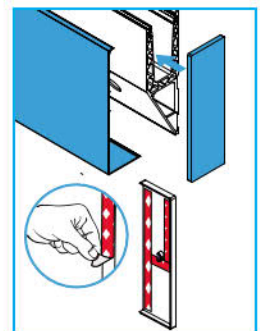
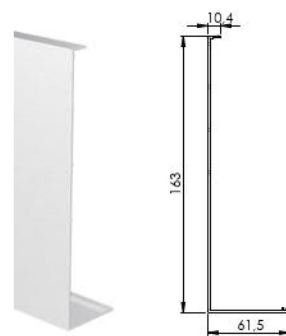
new



Material	Finish	art.
AISI304	satin	A-DIN 1474-5x25
AISI316		A14/0005-pin



AL/0034-011... ..ANGLE AL/0035-011..

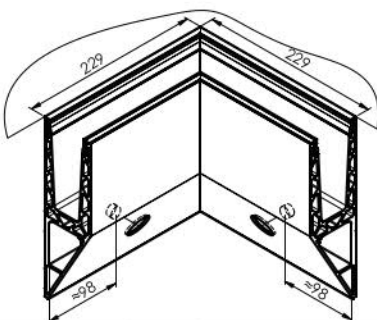


Material	Finish	Effect	art.
ANODIZED ALUMINIUM	satin	silver	AL/0034-011-LIGHT-S-E
			AL/0034-011-LIGHT-S-E-ANG
			AL/0035-011-LIGHT-S-E

new

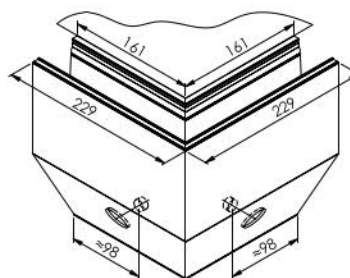
Material	Finish	Effect	art.	L
ANODIZED ALUMINIUM	satin	silver	AL/0048-2500-S-E	2500
			AL/0048-5000-S-E	5000
			AL/0048-6000-S-E	6000

new



Material	Finish	Effect	art.
ANODIZED ALUMINIUM	satin	silver	AL/0011-LIGHT-N-E-90-IN

new

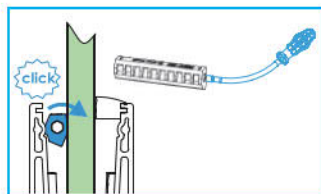


Material	Finish	Effect	art.
ANODIZED ALUMINIUM	satin	silver	AL/0011-LIGHT-N-E-90-OUT

new

MODEL 0011-LIGHT FLEX series

Glass t (mm)	L (m)	FIX	FLEX $\pm 1.1^\circ$
12 (12)	2,5 5		A19/FLEX1-012-SET-02.5 A19/FLEX1-012-SET-05.0
12,76 (6.6.2)	2,5 5		A19/FLEX1-013-SET-02.5 A19/FLEX1-013-SET-05.0
16,76 (8.8.2)	2,5 5		A19/FLEX1-017-SET-02.5 A19/FLEX1-017-SET-05.0
17,52 (8.8.4)	2,5 5		A19/FLEX1-018-SET-02.5 A19/FLEX1-018-SET-05.0



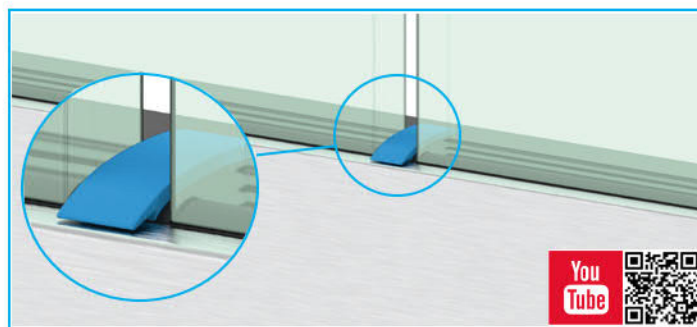
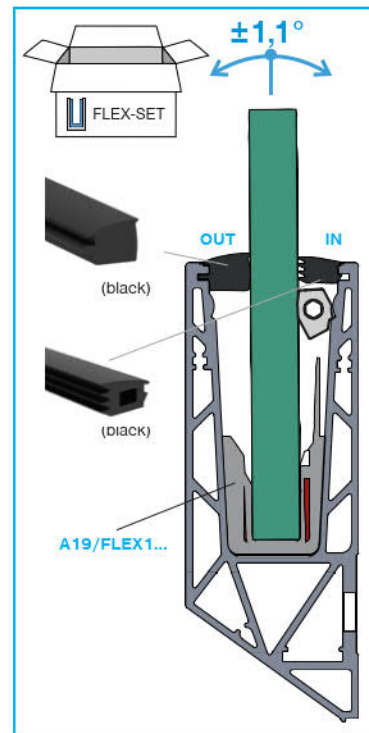
art.	total length	ext. square
Q8/70-275-PRO	275mm	1/4"



Quality	Finish	art.	L	glass t
Rubber	black	A19/0004-D-B-100	100	12-21,52



art.	use
AL/glass-mont-PRO	FLEX/FIX <i>new</i>

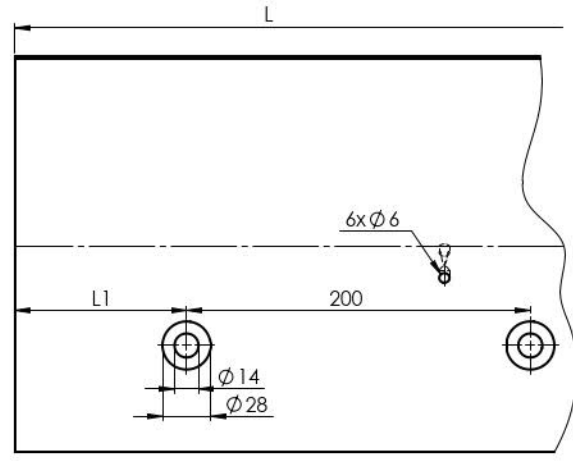
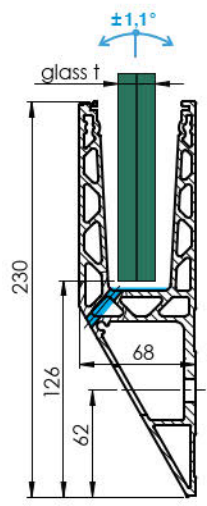


AL/0011-LIGHT						+	
CHEMICAL		5pcs/m					
MECHANICAL			5pcs/m	5pcs/m	1pcs/m		1pcs/2,5m

MODEL 0011-ProXL FLEX/FIX series

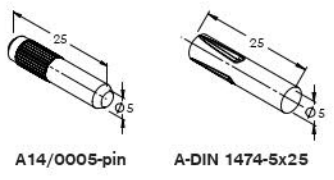
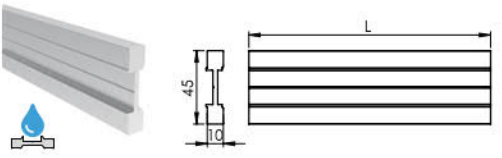


STATIC STUDIO



Material	Finish	Effect	art.	L	L1	G/h	glass t			
ANODIZED ALUMINIUM	natural	silver	AL/0011-ProXL-2500-N-E	2500	50	2kN	16,76-31,52	built in drain	<input checked="" type="checkbox"/>	±1,1°
			AL/0011-ProXL-5000-N-E	5000	100					
			AL/0011-ProXL-6000-N-E	6000						

new

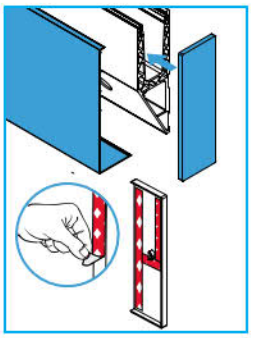
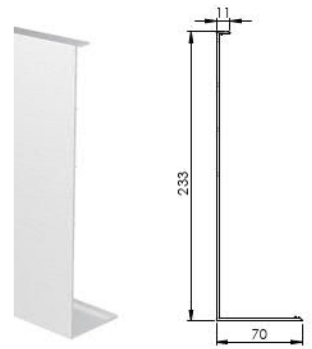
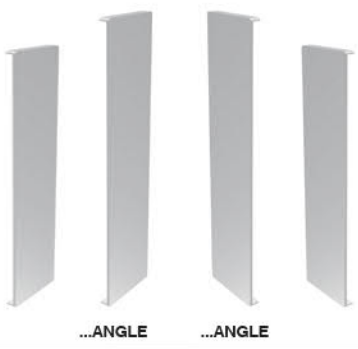
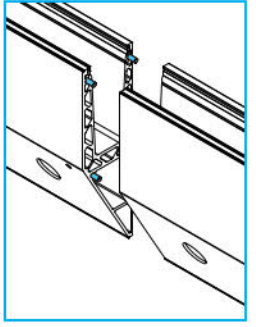


new

Material	Finish	Effect	art.	L
ANODIZED ALUMINIUM	satin	silver	AL/0011-PRO-S-E-1250-Drain	1250
			AL/0011-PRO-S-E-2500-Drain	2500

new

Material	Finish	art.
AISI304	satin	A-DIN 1474-5x25
AISI316		A14/0005-pin



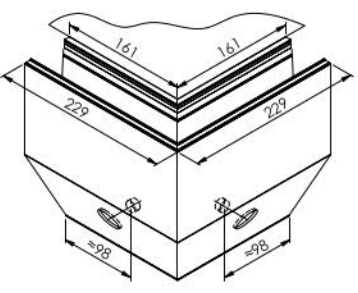
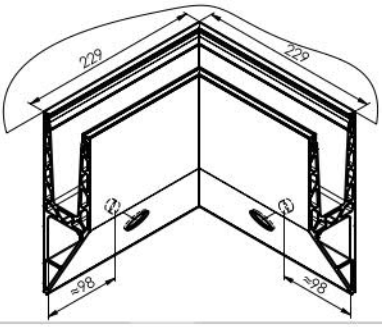
Material	Finish	Effect	art.
ANODIZED ALUMINIUM	satin	silver	AL/0034-011-ProXL-S-E
			AL/0034-011-ProXL-S-E-ANGLE
			AL/0035-011-ProXL-S-E
			AL/0035-011-ProXL-S-E-ANGLE

new

new

Material	Finish	Effect	art.	L
ANODIZED ALUMINIUM	satin	silver	AL/0046-2500-S-E	2500
			AL/0046-5000-S-E	5000
			AL/0046-6000-S-E	6000

new



Material	Finish	Effect	art.
ANODIZED ALUMINIUM	satin	silver	AL/0011-ProXL-N-E-90-IN

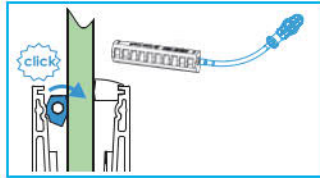
new

Material	Finish	Effect	art.
ANODIZED ALUMINIUM	satin	silver	AL/0011-ProXL-N-E-90-OUT

new

MODEL 0011-ProXL FLEX/FIX series

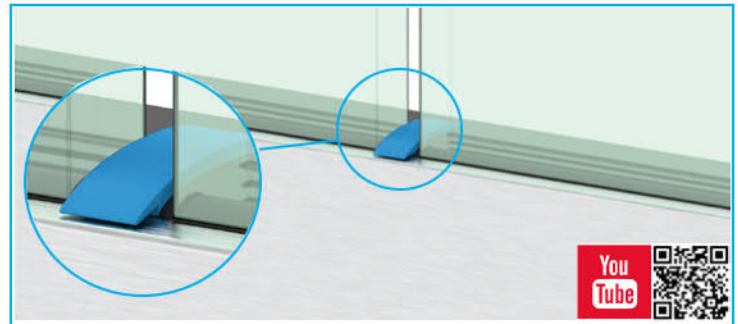
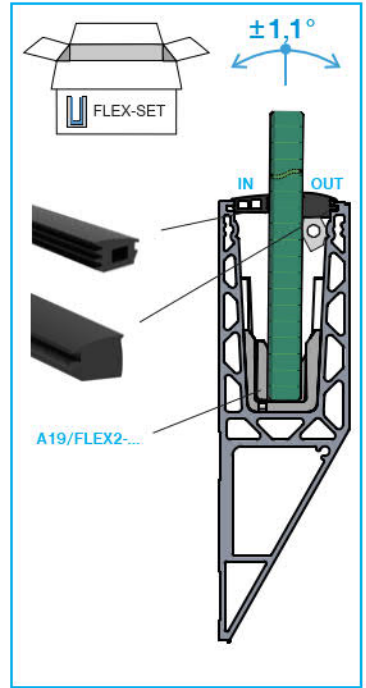
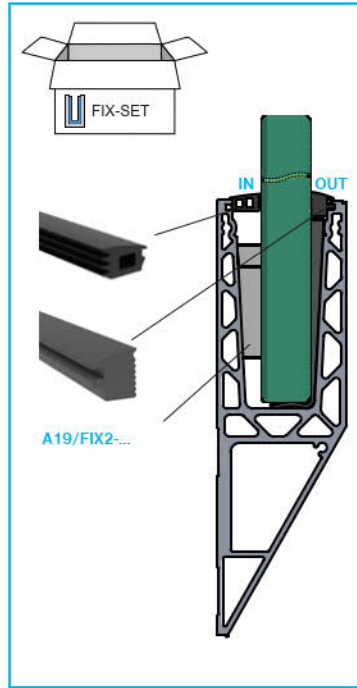
Glass t (mm)	L (m)	FIX	FLEX $\pm 1.1^\circ$
16,76 (8.8.2)	2,5 5		A19/FLEX2-017-SET-02.5 A19/FLEX2-017-SET-05.0
17,52 (8.8.4)	2,5 5		A19/FLEX2-018-SET-02.5 A19/FLEX2-018-SET-05.0
20,76 (10.10.2)	2,5 5		A19/FLEX2-021-SET-02.5 A19/FLEX2-021-SET-05.0
21,52 (10.10.4)	2,5 5		A19/FLEX2-022-SET-02.5 A19/FLEX2-022-SET-05.0
24,76 (12.12.2)	2,5 5	A19/FIX2-25-SET-02.5 A19/FIX2-25-SET-05.0	
25,52 (12.12.4)	2,5 5	A19/FIX2-26-SET-02.5 A19/FIX2-26-SET-05.0	
31,52 (15.15.4)	2,5 5	A19/FIX2-32-SET-02.5 A19/FIX2-32-SET-05.0	



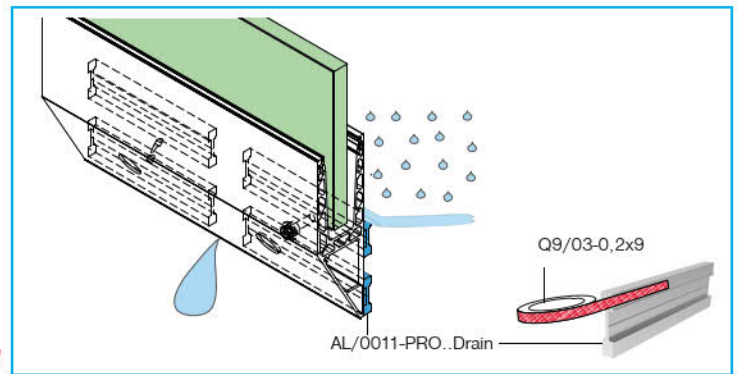
art.	total length	ext. square
Q8/70-275-PRO	275mm	1/4"



Quality	Finish	art.	L	glass t
Rubber	black	A19/0004-D-B-100	100	12-21,52



AL/glass-mont-PRO



art.	use
AL/glass-mont-PRO	FLEX/FIX

new











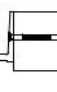




AL/0011-ProXL	ANCHORS				
	CHEMICAL	MECHANICAL			
	5pcs/m	5pcs/m	5pcs/m	1pcs/m	1pcs/2,5m

AL ANCHORS 62-63

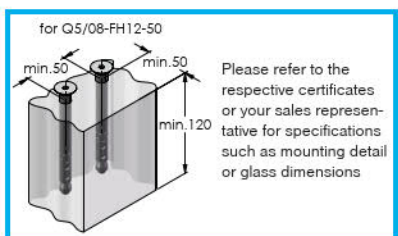
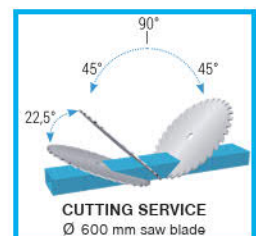
AL ANCHORS

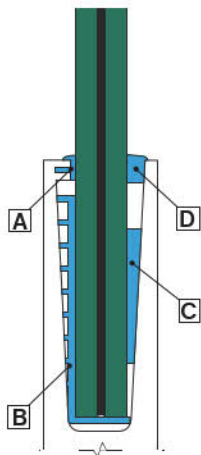
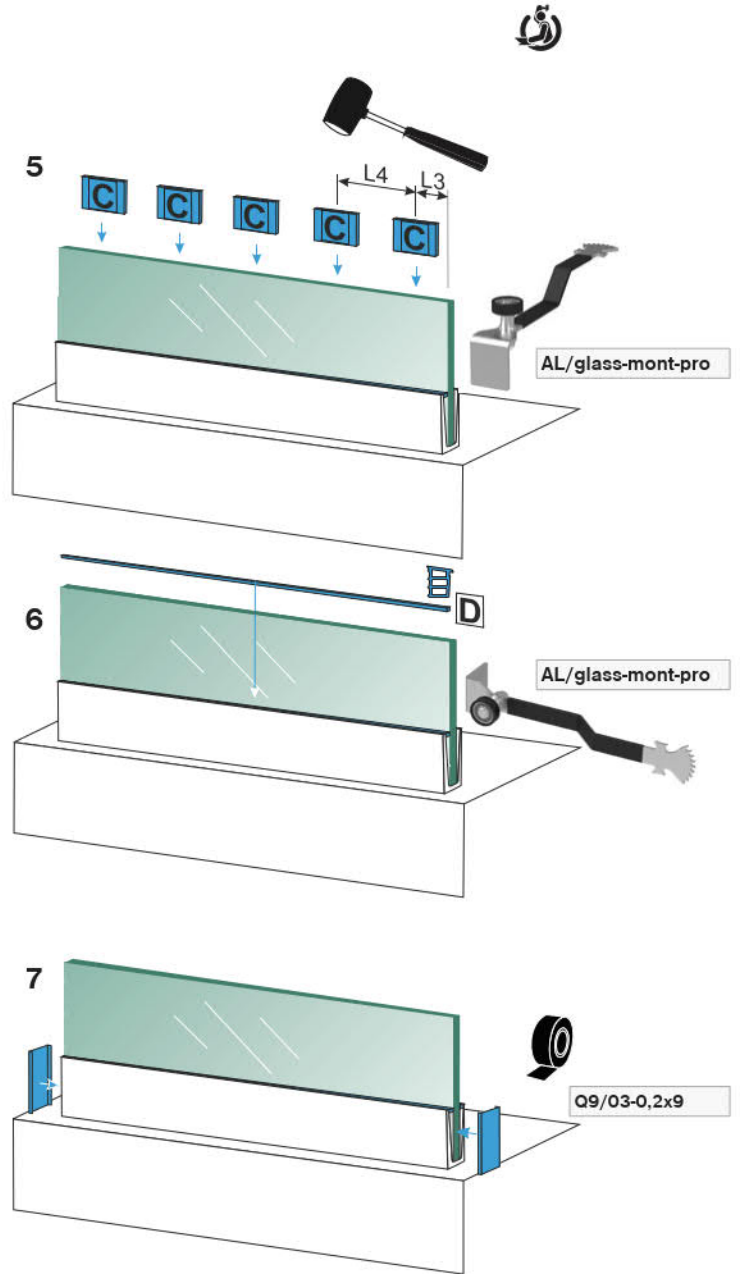
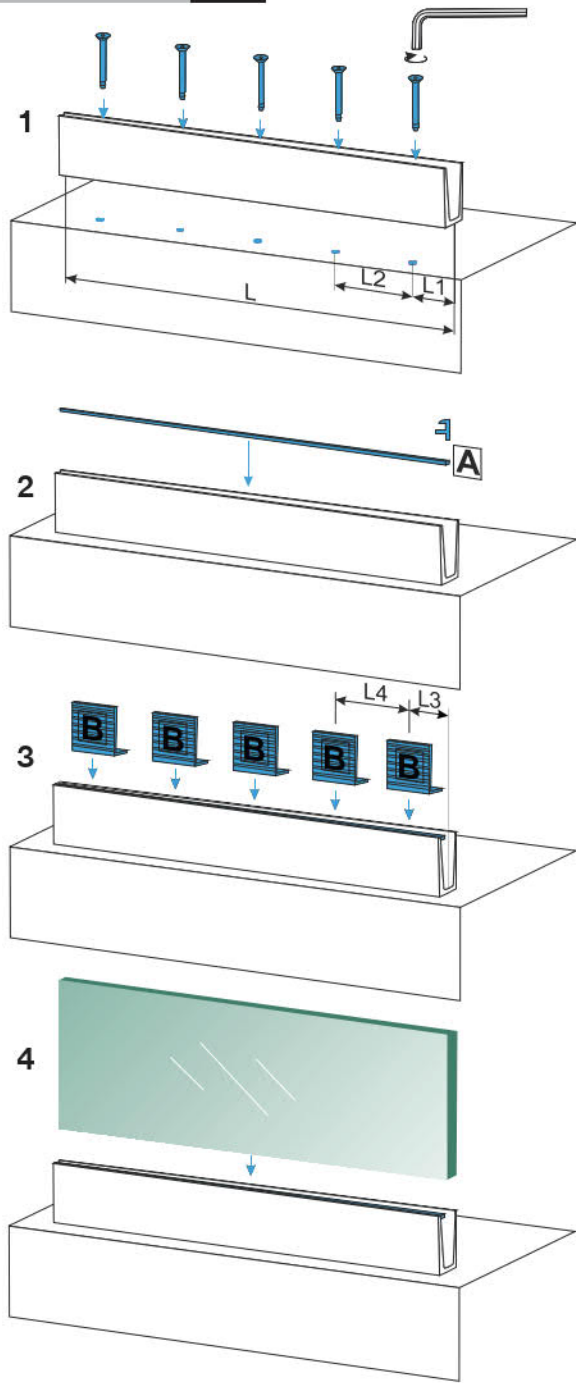


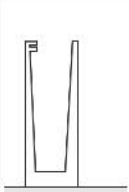
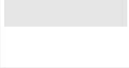
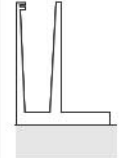
		NON-CERTIFIED ANCHORS		CE CERTIFIED ANCHORS - ETA option 1 *			FASTENERS		
1kN	AL/0004	IN	A5/08-105x11xM8	Q5/01B-400	Q5/08-VHG-M8-100/S...	Q5/01-WIT-UH300...	Q5/08-FH12-50*	W-DIN 7991 M8x20-P	
		OUT	A5/08-105x11xM8	Q5/01B-400	A5/08-VHG-M8-100/A4...	Q5/01-WIT-UH300...	A14/08-FH12-50*	W-DIN 7991-A4 M8x20-P	
1kN	AL/0004-ECO	IN	A19/27-M10	Q5/01B-400	Q5/08-VHG-M10-80/S...	Q5/01-WIT-UH300...	Q5/08-HAZ-M8-85S/S...*	DIN 7380 M10x20 8.8-Zn	DIN 125 10-Zn
		OUT	A19/27-M10	Q5/01B-400	A5/08-VHG-M10-80/A4...	Q5/01-WIT-UH300...	A5/08-HAZ-M8-85S/A4...*	A4-DIN 7380 M10x20	A-DIN 125-A2 M10
0,5 kN	AL/0004-LIGHT	IN	A19/27-M10	Q5/01B-400	Q5/08-VHG-M10-80/S...	Q5/01-WIT-UH300...	DIN 7380 M10x20 8.8-Zn	DIN 125 10-Zn	
			Q5/08-VM 250-M10-150...	Q5/01-WIT-VM 250...	DIN 934 M10-Zn	DIN 125 10-Zn			
		OUT	A19/27-M10	Q5/01B-400	A5/08-VHG-M10-80/A4...	Q5/01-WIT-UH300...	A4-DIN 7380 M10x20	A-DIN 125-A2 M10	
			A5/08-VM 250-M10-150-A4...	Q5/01-WIT-VM 250...	A4-DIN 934 M10	A-DIN 125-A2 M10			
1kN	AL/0004-UroXL	IN	A19/27-M10	Q5/01B-400	Q5/08-VHG-M10-80/S...	Q5/01-WIT-UH300...	DIN 7380 M10x20 8.8-Zn	DIN 125 10-Zn	
			Q5/08-HAZ-M8-85S/S...*	Q5/08-BS-S-10-90/S...					
1kN	AL/0004-PRO	OUT	A19/27-M10	Q5/01B-400	A5/08-VHG-M10-80/A4...	Q5/01-WIT-UH300...	A4-DIN 7380 M10x20	A-DIN 125-A2 M10	
			A5/08-VM 250-M10-150-A4...	Q5/01-WIT-VM 250...	A4-DIN 934 M10	A-DIN 125-A2 M10			
3kN	AL/0008	IN	A5/08-105x11xM8	Q5/01B-400	Q5/08-VHG-M12-125/S...	Q5/01-WIT-UH300...	DIN 7991 M12x30 8.8-Zn		
		OUT	A5/08-105x11xM8	Q5/01B-400	A5/08-VHG-M12-125/A4...	Q5/01-WIT-UH300...	A4-DIN 7991 M12x30		
1kN	AL/0006 ¹	IN	A-DIN 975 M12	Q5/01B-400	Q5/08-VM 250-M12-135...	Q5/01-WIT-VM 250...		A-DIN 934 M12	A-DIN 125-A2 M12
		OUT	A-DIN 975 M12	Q5/01B-400	A5/08-VM 250-M12-135-A4...	Q5/01-WIT-VM 250...		A-DIN 934 M12	A-DIN 125-A2 M12
1kN	AL/0006 ²	IN	A-DIN 975 M12	Q5/01B-400			Q5/08-HAZ-M8-85S/S...	A-DIN 1587-A2 M12	A-DIN 125-A2 M12
		OUT	A-DIN 975 M12	Q5/01B-400			A5/08-HAZ-M8-85S/A4...	A-DIN 1587-A2 M12	A-DIN 125-A2 M12
1kN	AL/0006-UNO ¹	IN	A-DIN 975 M12	Q5/01B-400				A-DIN 934 M12	A-DIN 125-A2 M12
			Q5/08-VM 250-M12-135...	Q5/01-WIT-VM 250...					
1kN	AL/0006-UNO ²	OUT	A-DIN 975 M12	Q5/01B-400	A5/08-VM 250-M12-135-A4...	Q5/01-WIT-VM 250...		A-DIN 934 M12	A-DIN 125-A2 M12
			A5/08-VM 250-M12-135-A4...	Q5/01-WIT-VM 250...					
1kN	AL/0006-UNO ³	IN	A19/27-M10	Q5/01B-400	Q5/08-VHG-M10-80/S...	Q5/01-WIT-UH300...	DIN 7380 M10x20 8.8-Zn	DIN 125 10-Zn	
			Q5/08-HAZ-M8-85S/S...*						
1kN	AL/0006-UNO ³	OUT	A19/27-M10	Q5/01B-400	A5/08-VHG-M10-80/A4...	Q5/01-WIT-UH300...	A4-DIN 7380 M10x20	A-DIN 125-A2 M10	
			A5/08-HAZ-M8-85S/A4...						
1kN	AL/0006-UNO ³	IN	A-DIN 975 M12	Q5/01B-400				A-DIN 1587-A2 M12	A-DIN 125-A2 M12
			Q5/08-VHG-M10-80/S...	Q5/01-WIT-UH300...	DIN7380 M10x30 8.8-Zn	DIN 9021 10-Zn			
1kN	AL/0006-UNO ³	OUT	A-DIN 975 M12	Q5/01B-400	A5/08-VHG-M10-80/A4...	Q5/01-WIT-UH300...	A4-DIN7380 M10x30	A-DIN 1587-A2 M12	A-DIN 125-A2 M12
			A5/08-VHG-M10-80/A4...	Q5/01-WIT-UH300...					

AL ANCHORS										
		NON-CERTIFIED ANCHORS		CE CERTIFIED ANCHORS - ETA option 1 *			FASTENERS			
1kN	AL/0006-ECO ³		IN	A-DIN 975 M12	Q5/01B-400	Q5/08-VHG-M10-80/S...	Q5/01-WIT-UH300...	Q5/08-HAZ-M10-106S/S...	DIN7380 M10x30 8.8-Zn	A-DIN 1587-A2 M12 A-DIN 125-A2 M12 DIN 9021 10-Zn
			OUT	A-DIN 975 M12	Q5/01B-400	A5/08-VHG-M10-80/A4...	Q5/01-WIT-UH300...	A5/08-HAZ-M10-106S/A4...	A4-DIN7380 M10x30	A-DIN 1587-A2 M12 A-DIN 125-A2 M12 A-DIN 9021-A2 M10
1kN	AL/0005-D		IN	A5/08-105x11xM8	Q5/01B-400	Q5/08-VHG-M8-100/S...	Q5/01-WIT-UH300...	Q5/08-FH12-50	W-DIN 7991 M8x20-P	
			OUT	A5/08-105x11xM8	Q5/01B-400	A5/08-VHG-M8-100/A4...	Q5/01-WIT-UH300...	A14/08-FH12-50 A5/08-HAZ-M8-80SK/A4...	W-DIN 7991-A4 M8x20-P	
3kN	AL/0009		IN	A5/08-105x11xM8	Q5/01B-400	Q5/08-VHG-M12-125/S...	Q5/01-WIT-UH300...		DIN 7991 M12x30 8.8-Zn	
			OUT	A5/08-105x11xM8	Q5/01B-400	A5/08-VHG-M12-125/A4...	Q5/01-WIT-UH300...		A4-DIN 7991 M12x30	
1kN	AL/0011		IN	A-DIN 975 M12	Q5/01B-400	Q5/08-VM 250-M12-135...	Q5/01-WIT-VM 250...	Q5/08-FBN12-30... ^{2*} Q5/08-HAZ-M8-85S/S...		A-DIN 934 M12 A-DIN 125-A2 M12
			OUT	A-DIN 975 M12	Q5/01B-400	A5/08-VM 250-M12-135-A4...	Q5/01-WIT-VM 250...	A-Q5/08-FBN12-30... ^{2*} A5/08-HAZ-M8-85S/A4...		A-DIN 934 M12 A-DIN 125-A2 M12
1kN	AL/0005-UNO		IN	A-DIN 975 M10	Q5/01B-400	Q5/08-VM 250-M10-80...	Q5/01-WIT-VM 250...	Q5/08-FBN12-30... ^{2*} Q5/08-HAZ-M8-85S/S...		A-DIN 934 M10 A-DIN 125-A2 M10
			OUT	A-DIN 975 M10	Q5/01B-400	A5/08-VM 250-M10-110-A4...	Q5/01-WIT-VM 250...	A-Q5/08-FBN12-30... ^{2*} A5/08-HAZ-M8-85S/A4...		A-DIN 934 M10 A-DIN 125-A2 M10
3kN	AL/0018		IN	A19/27-M10	Q5/01B-400	Q5/08-VHG-M10-80/S...	Q5/01-WIT-UH300...	Q5/08-HAZ-M8-85S/S...	DIN 7380 M10x20 8.8-Zn	A-DIN 934 M12 WIT-SHB M12-Zn
			OUT	A19/27-M10	Q5/01B-400	A5/08-VHG-M10-80/A4... A5/08-VM 250-M12-155-A4...	Q5/01-WIT-UH300... Q5/01-WIT-VM 250...	A5/08-HAZ-M8-85S/A4...	A4-DIN 7380 M10x20	A-DIN 934 M12 A4-WIT-SHB M12
2kN	AL/0019		IN	A19/27-M10	Q5/01B-400	Q5/08-VHG-M10-80/S...	Q5/01-WIT-UH300...	Q5/08-HAZ-M10-106S/S...	DIN 7380 M10x20 8.8-Zn	A-DIN 934 M10 WIT-SHB M10-Zn
			OUT	A19/27-M10	Q5/01B-400	A5/08-VHG-M10-80/A4... A5/08-VM 250-M10-115-A4...	Q5/01-WIT-UH300... Q5/01-WIT-UH300...	A5/08-HAZ-M10-106S/A4...	A4-DIN 7380 M10x20	A-DIN 934 M10 A4-WIT-SHB M10

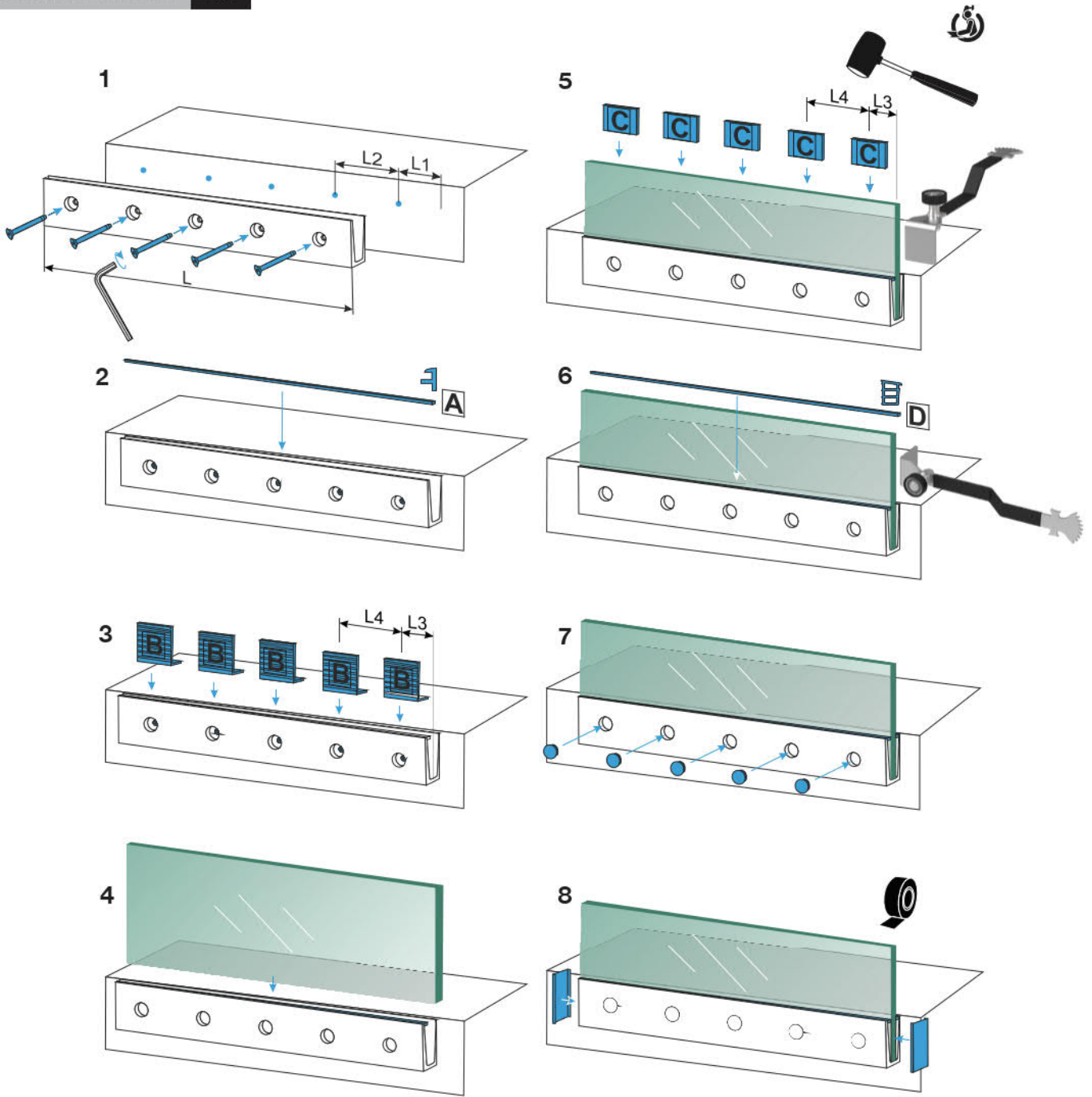
* certification "ETA option1" for cracked and uncracked concrete
^{2*} certification "ETA option7" for uncracked concrete only for load ≤ 0,7kN
 ! the table applies only to the situation without the use of drain for profiles



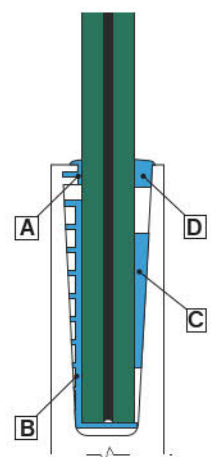


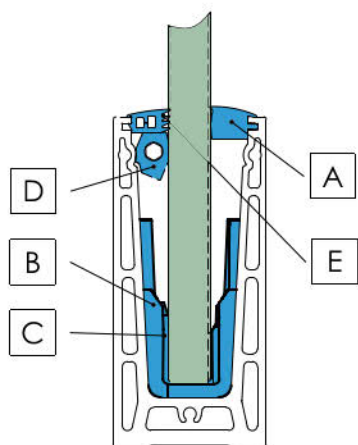
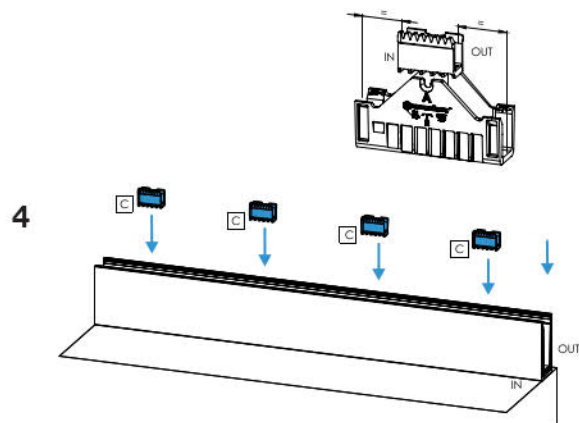
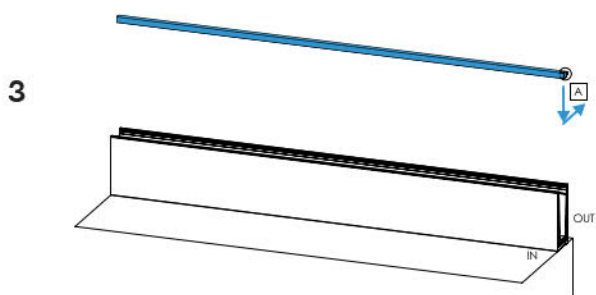
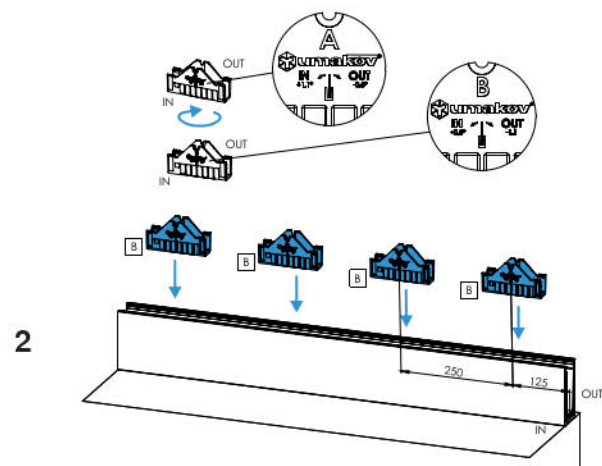
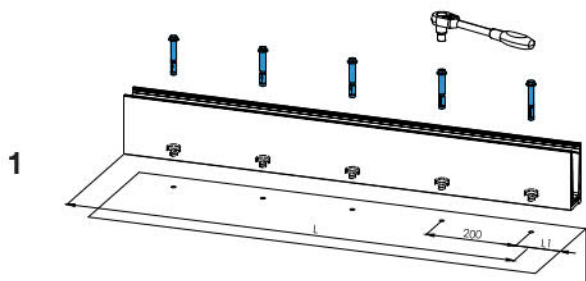
	L	L1	L2	L3	L4
 AL/0004...	1250				
	2500	50			
	5000	100			
	6000				
 AL/0008...	2500	50	200	125	250
	5000	100			
 AL/0006...	1250				
	2500	50			
	5000	100			
	6000				

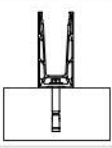

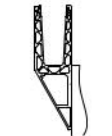


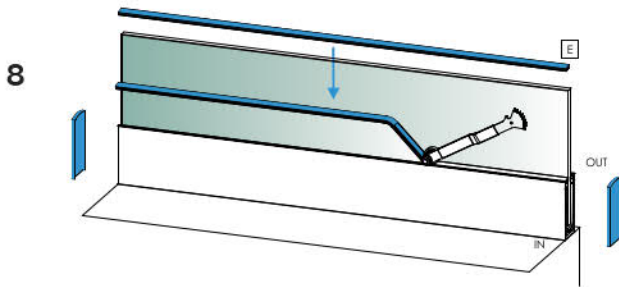
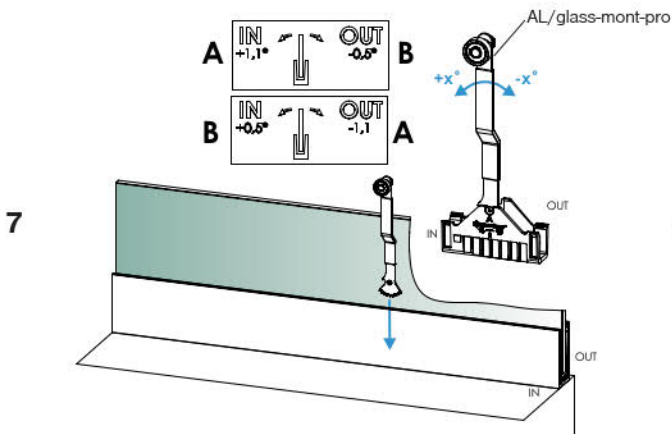
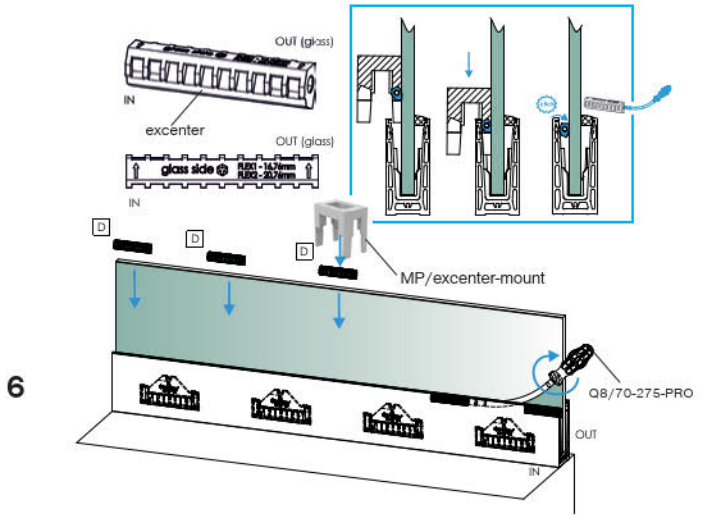
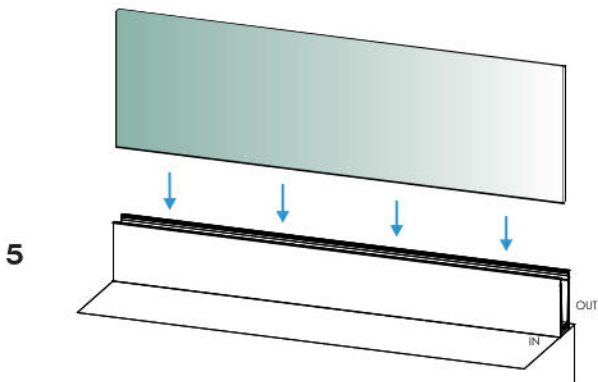


		L	L1	L2	L3	L4	
	AL/0005-...	1250					
		2500					
		5000			250		
		6000		125			
	AL/0009-...	2500		150			
		5000			125	250	
	AL/0011-...	1250					
		2500		50			
		5000			200		
		6000		100			

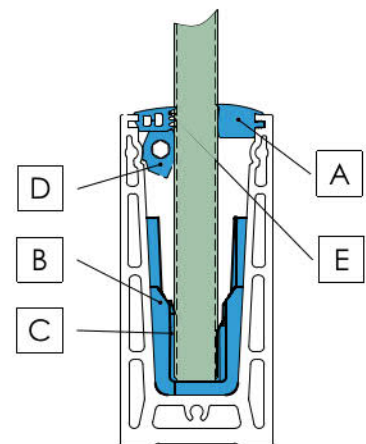




		L	L1
 AL/0004-LIGHT...		2500	50
		5000	100
 AL/0004-PRO... AL/0008-ProXL...		2500	50
		5000	100
		6000	100
 AL/0011-LIGHT... AL/0011-PRO...		2500	50
		5000	100



		L	L1
	AL/0006-UNO...	2500	50
		5000	100
	AL/0018...	2500	50
		5000	100
	AL/0019...	2500	50
		5000	100





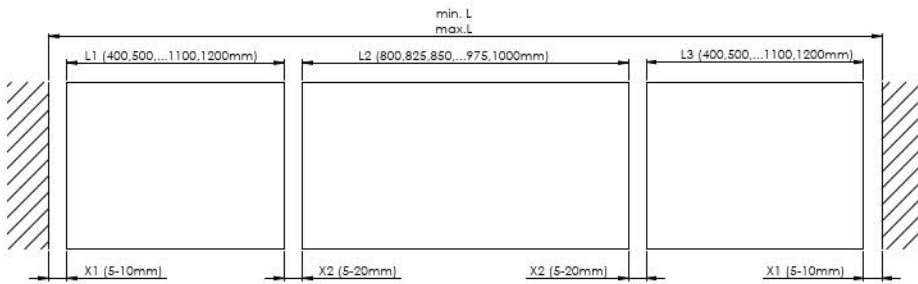
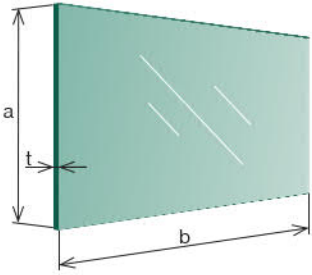
	art.	h	L	glass t
	AL/ZALVR100-2500-004	1000	2500	16,76 VSG/ESG

	art.	h	L	glass t
	AL/ZALVR100-2500-006	1000	2500	16,76 VSG/ESG



	art.	h	L	glass t
	AL/ZALBR100-2500-005	1000	2500	16,76 VSG/ESG

	art.	h	L	glass t
	AL/ZALBR100-2500-011	1000	2500	16,76 VSG/ESG



Glass balustrade configurator
(for glass t=16,76, height 1000/1100/1200 mm)

2-fields (gap X=15-40mm (X1=5-10mm, X2=5-20mm))

handrail length L (mm)	glass length L1, L2(mm)														
	400	500	600	700	800	825	850	875	900	925	950	975	1000	1100	1200
min.1215	1				1										
1600/1				1			1								
1600/2			1									1			
1825								2							
1875									1		1				
2000/1												1	1		
2000/2									1					1	
max.2240													1		1

3-fields (gap X=20-50mm (X1=5mm, X2=5-20mm))

handrail length L (mm)	glass length L1, L2, L3(mm)														
	400	500	600	700	800	825	850	875	900	925	950	975	1000	1100	1200
min.1620	2				1										
2200/1			2									1			
2200/2			1	1				1							
2525					2				1						
2575					2						1				
3225					1										2
3275							1								2
max.3450													1		2

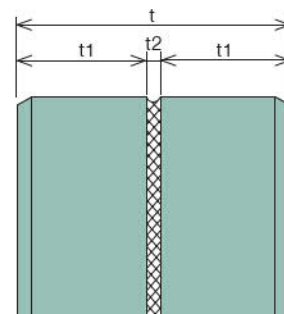
4-fields (gap X=25-70mm (X1=5mm, X2=5-20mm))

handrail length L (mm)	glass length L1, L2, L3, L4(mm)														
	400	500	600	700	800	825	850	875	900	925	950	975	1000	1100	1200
min.2425	2				2										
3200/1				2				2							
3200/2				2								2			
3825								1	1				2		
3875									1	1			2		
4225								1	1						2
4275									1	1					2
max.4470													2		2

5-fields (gap X=30-90mm (X1=5mm, X2=5-20mm))

handrail length L (mm)	glass length L1, L2, L3, L4, L5(mm)														
	400	500	600	700	800	825	850	875	900	925	950	975	1000	1100	1200
min.2430	4				1										
3800/1				4						1					
3800/2				2	2					1					
4825									2		1		2		
4875									2			3			
5225										1		2	2		
5275											1	3	2		
max.5890													1		4

Quality	art.	t	a	b
VSG/ESG 6.6.2	GS/12,76-100x60-VSG/ESG	12,76	1000	600
	GS/12,76-100x70-VSG/ESG			700
	GS/12,76-100x80-VSG/ESG			800
	GS/12,76-100x90-VSG/ESG			900
	GS/12,76-100x95-VSG/ESG			950
	GS/12,76-100x100-VSG/ESG			1000
	GS/12,76-110x60-VSG/ESG			600
	GS/12,76-110x70-VSG/ESG			700
	GS/12,76-110x80-VSG/ESG			800
	GS/12,76-110x90-VSG/ESG			900
	GS/12,76-110x95-VSG/ESG		950	
	GS/12,76-110x100-VSG/ESG		1000	
	GS/16,76-100x40-VSG/ESG		400	
	GS/16,76-100x50-VSG/ESG		500	
	GS/16,76-100x60-VSG/ESG		600	
	GS/16,76-100x70-VSG/ESG		700	
	GS/16,76-100x80-VSG/ESG		800	
	GS/16,76-100x82,5-VSG/ESG		825	
	GS/16,76-100x85-VSG/ESG		850	
	GS/16,76-100x87,5-VSG/ESG		875	
GS/16,76-100x90-VSG/ESG	900			
GS/16,76-100x92,5-VSG/ESG	925			
GS/16,76-100x95-VSG/ESG	950			
GS/16,76-100x97,5-VSG/ESG	975			
GS/16,76-100x100-VSG/ESG	1000			
GS/16,76-110x40-VSG/ESG	400			
GS/16,76-110x50-VSG/ESG	500			
GS/16,76-110x60-VSG/ESG	600			
GS/16,76-110x70-VSG/ESG	700			
GS/16,76-110x80-VSG/ESG	800			
GS/16,76-110x82,5-VSG/ESG	825			
GS/16,76-110x85-VSG/ESG	850			
GS/16,76-110x87,5-VSG/ESG	875			
GS/16,76-110x90-VSG/ESG	900			
GS/16,76-110x92,5-VSG/ESG	925			
GS/16,76-110x95-VSG/ESG	950			
GS/16,76-110x97,5-VSG/ESG	975			
GS/16,76-110x100-VSG/ESG	1000			
GS/16,76-110x110-VSG/ESG	1100			
GS/16,76-120x40-VSG/ESG	400			
GS/16,76-120x50-VSG/ESG	500			
GS/16,76-120x60-VSG/ESG	600			
GS/16,76-120x70-VSG/ESG	700			
GS/16,76-120x80-VSG/ESG	800			
GS/16,76-120x82,5-VSG/ESG	825			
GS/16,76-120x85-VSG/ESG	850			
GS/16,76-120x87,5-VSG/ESG	875			
GS/16,76-120x90-VSG/ESG	900			
GS/16,76-120x92,5-VSG/ESG	925			
GS/16,76-120x95-VSG/ESG	950			
GS/16,76-120x97,5-VSG/ESG	975			
GS/16,76-120x100-VSG/ESG	1000			
GS/16,76-120x110-VSG/ESG	1100			
GS/16,76-120x120-VSG/ESG	1200			
VSG/ESG 8.8.2	GS/16,76-110x80-VSG/ESG	16,76	1100	800
	GS/16,76-110x82,5-VSG/ESG			825
	GS/16,76-110x85-VSG/ESG			850
	GS/16,76-110x87,5-VSG/ESG			875
	GS/16,76-110x90-VSG/ESG			900
	GS/16,76-110x92,5-VSG/ESG			925
	GS/16,76-110x95-VSG/ESG			950
	GS/16,76-110x97,5-VSG/ESG			975
	GS/16,76-110x100-VSG/ESG			1000
	GS/16,76-110x110-VSG/ESG			1100
VSG/ESG 8.8.4	GS/17,52-110x80-VSG/ESG	17,52	1100	800
	GS/17,52-110x82,5-VSG/ESG			825
	GS/17,52-110x85-VSG/ESG			850
	GS/17,52-110x87,5-VSG/ESG			875
	GS/17,52-110x90-VSG/ESG			900
	GS/17,52-110x92,5-VSG/ESG			925
	GS/17,52-110x95-VSG/ESG			950
	GS/17,52-110x97,5-VSG/ESG			975
	GS/17,52-110x100-VSG/ESG			1000
	GS/17,52-110x110-VSG/ESG			1100
GS/17,52-110x120-VSG/ESG	1200			
GS/17,52-110x130-VSG/ESG	1300			
GS/17,52-110x140-VSG/ESG	1400			
GS/17,52-110x150-VSG/ESG	1500			



VSG Glass	4.4.1	4.4.2	5.5.1	5.5.2	6.6.1	6.6.2	8.8.2	8.8.4	8.8.8.2.2
t1	2x4	2x4	2x5	2x5	2x6	2x6	2x8	2x8	3x8
t2	0,38	0,76	0,38	0,76	0,38	0,76	0,76	1,52	2x0,76
t	8,38	8,76	10,38	10,76	12,38	12,76	16,76	17,52	25,52

Glass	FLOAT, ESG								
t1 (mm)	3	4	5	6	8	10	12	15	19
Tolerance (± mm)	0,2	0,2	0,2	0,2	0,3	0,3	0,3	0,5	1,0
Weight (kg/m²)	7,5	10	12,5	15	20	25	30	37,5	47,5

2

GLASS
ADAPTERS

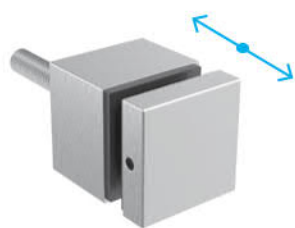




ROUND MODELS

FLEX

FIX



SQUARE MODELS

FLEX

FIX



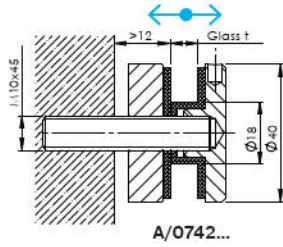
DOUBLE ADAPTERS

GLASS

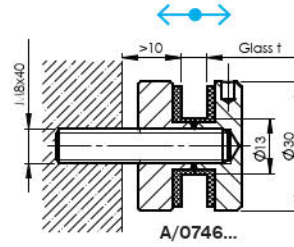


SETS

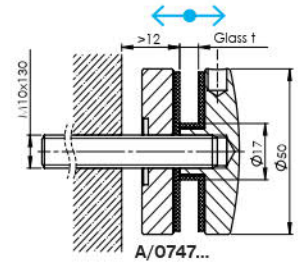
MODEL FLEX



A/0742...

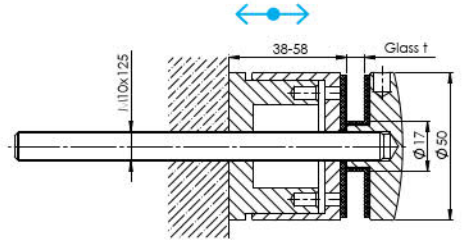


A/0746...



A/0747...

Quality	Finish	ϕ	art.	glass t	glass hole
AISI304	satin	flat	A/0742-FLEX1	8-17,52	20
			A/0746-FLEX1-B	6-12,76	15
			A/0747-FLEX1-B	8-17,52	20

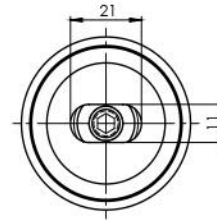
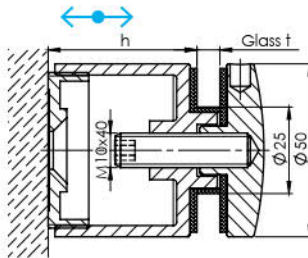


Quality	Finish	ϕ	art.	glass t	glass hole
AISI304	satin	flat	A/0747-FLEX2	8-17,52	20
	PVD black		A-PVD/0747-FLEX2		
	PVD black-polish		A-PVD/0747-FLEX2-L		
AISI316	satin		A14/0747-FLEX2		

new

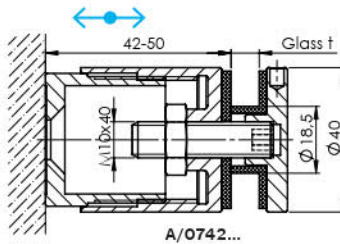


A-BLACK/0747-501 FLEX2

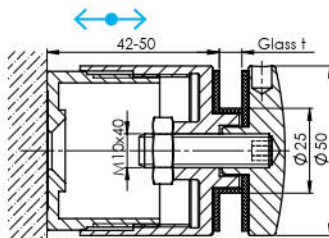
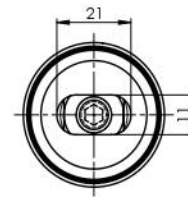


Quality	Finish	ϕ	art.	h	glass t	glass hole
AISI304	satin	flat	A/0747-501 FLEX2	42-47	8-17,52	30
	BLACK RAL9005		A-BL/0747-501 FLEX2			
	BLACK RAL9004		A-BLACK/0747-501 FLEX2			
			A/0747-502 FLEX2			
			A/0747-503 FLEX2			
	satin					

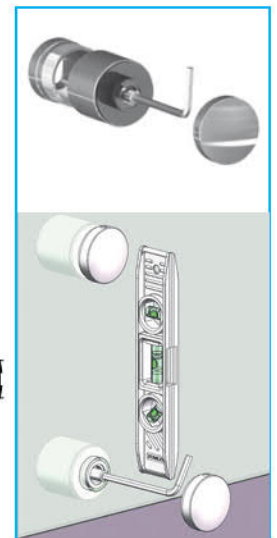
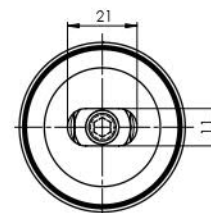
new new



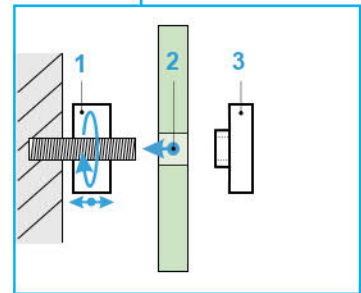
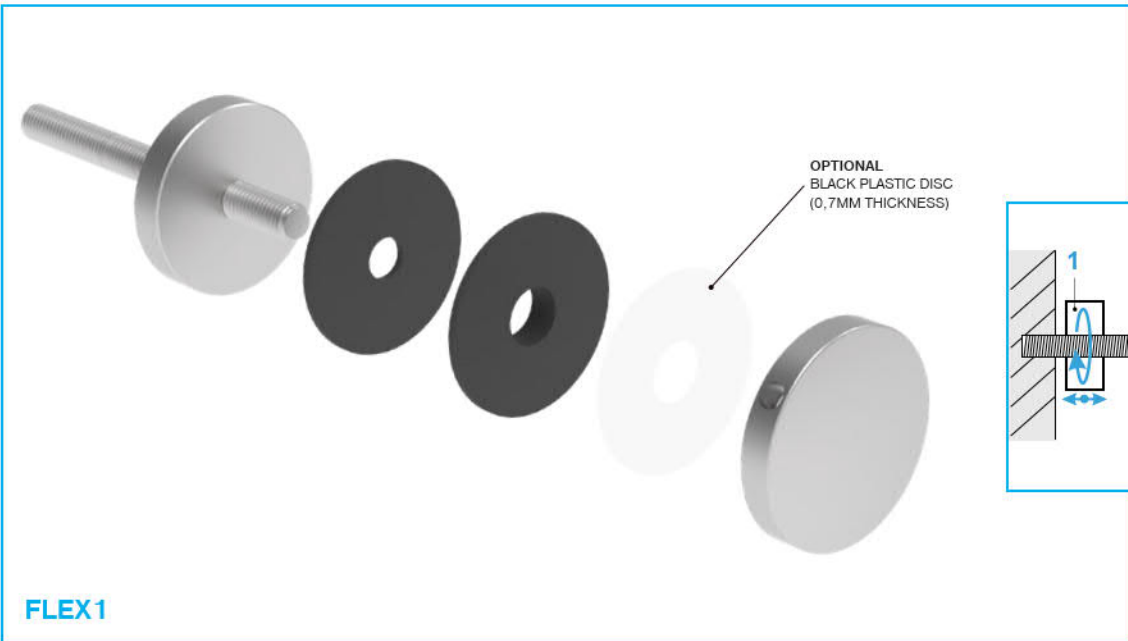
A/0742...



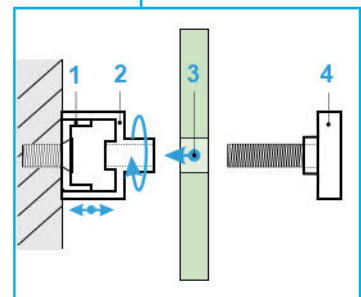
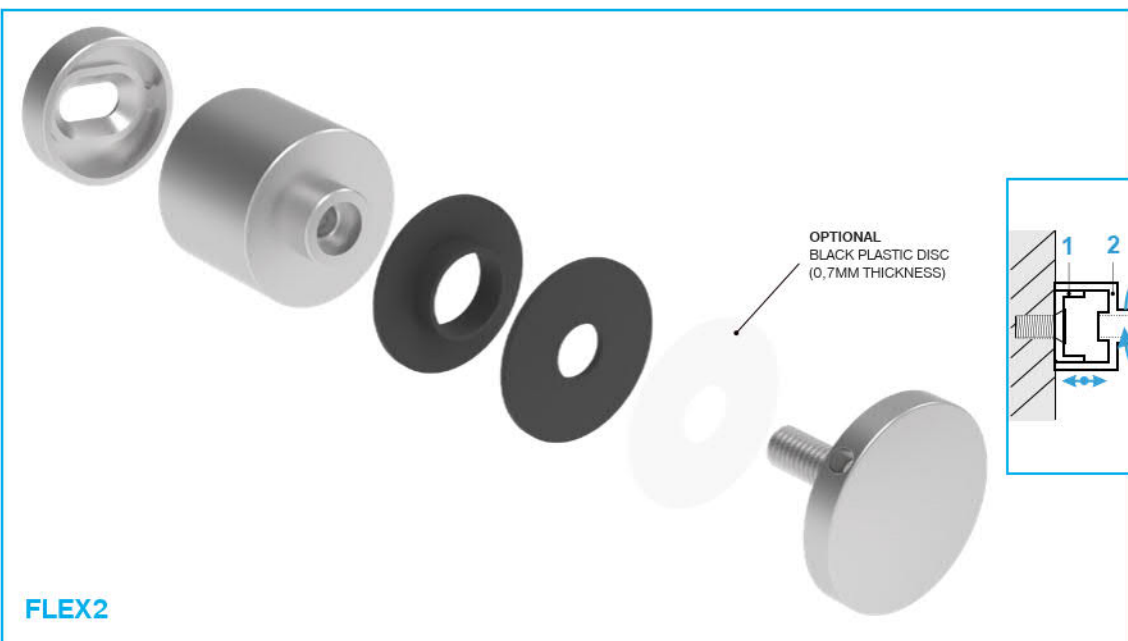
A/0747...



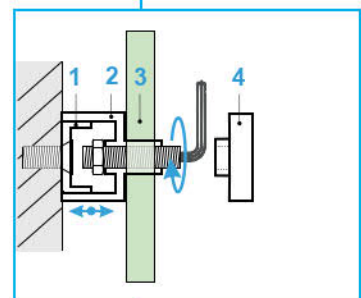
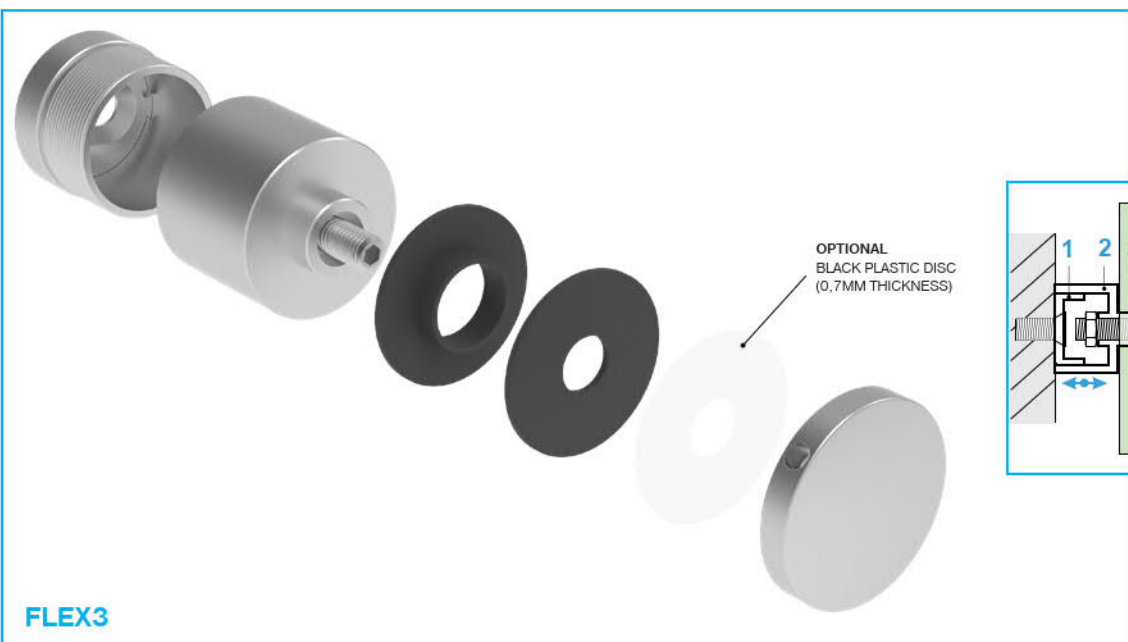
Quality	Finish	ϕ	art.	glass t	glass hole
AISI304	satin	flat	A/0742-FLEX3	8-17,52	22
			A/0747-FLEX3		
AISI316	polish		A14/0747-FLEX3		30
			A14/0747-FLEX3-L		



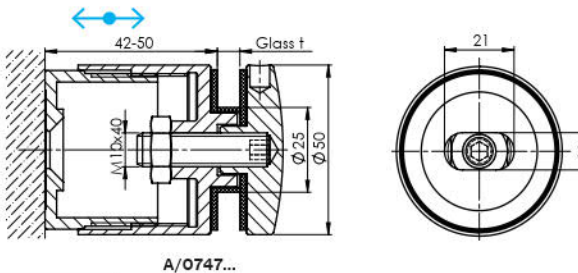
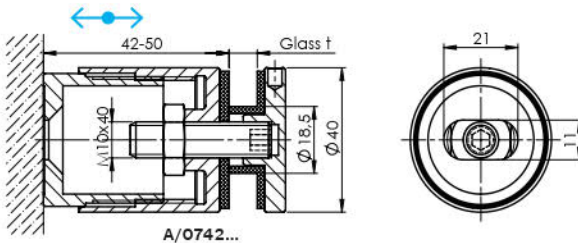
FLEX1



FLEX2

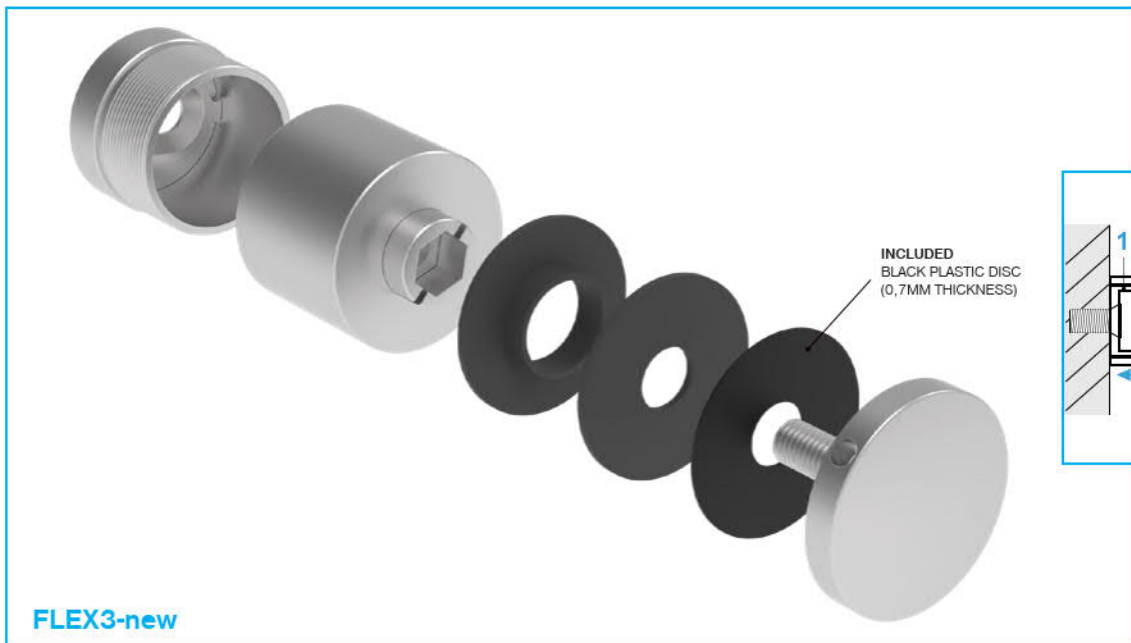


FLEX3

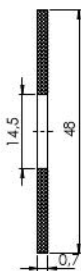


Quality	Finish	Ø	art.	glass t	glass hole
AISI304	satin	flat	A/0742-FLEX3	8-17,52	22
			A/0747-FLEX3		
AISI316	polish	flat	A14/0747-FLEX3		30
			A14/0747-FLEX3-L		

new



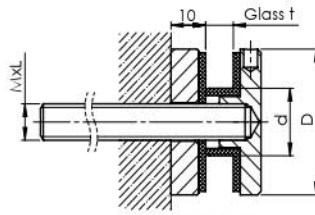
FLEX3-new



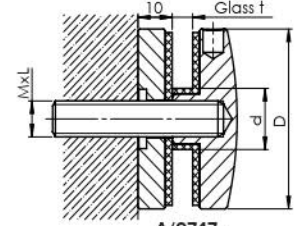
Quality	Finish	art.	Compatibility
PVC	black	A19/47-PVC	A../0747..



A-BL/0747-000
A-BLACK/0747-000
A-PVD/0747-000



A/0742...
A/0749...



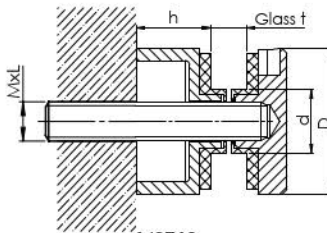
A/0747...
A/0748...
ZN/0747...

Quality	Finish	∅	art.	D	MxL	glass t	d	glass hole	
AISI304	satin	flat	A/0742-000	40	M10x100		18,5	22	
			A/0747-000-S	50	M8x45				
			A/0747-000						
	PVD black BLACK RAL9005 BLACK RAL9004 RAL9004	flat	A-PVD/0747-000					17	
			A-BL/0747-000	50	M10x45				
			A-BLACK/0747-000				8-17,52		
			A/0749-000	60	M10x100		18	20	
polish	flat	A/0748-000	70						
		A/0747-000-L		M10x45					
AISI316	satin		A14/0747-000	50			17		
ZAMAK	raw		A14/0747-000-S		M8x45				
			ZN/0747-000		M10x45				

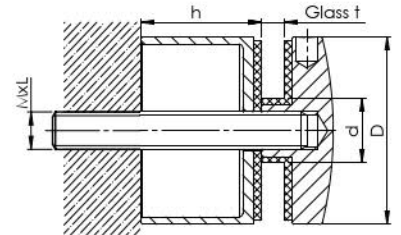
*top
new
new
new*



A-BLACK/0746-000



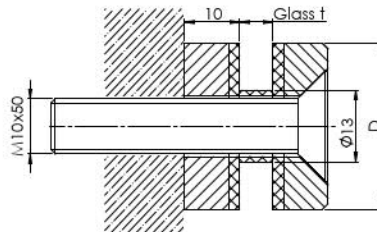
A/0746...
ZN/0746...



A/0747...

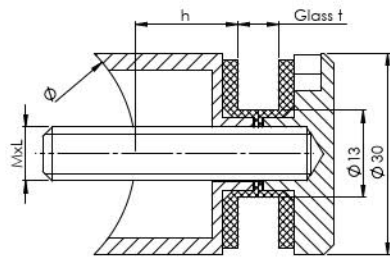
Quality	Finish	∅	art.	D	h	MxL	glass t	d	glass hole
AISI304	satin BLACK RAL9004	flat	A/0746-000		15	M8x40			
			A-BLACK/0746-000						
	satin	flat	A/0746-300	30	32	M8x80	6-12,76	13	15
			A/0746-400		42				
			A/0746-500		52	M8x100			
			A/0747-200		22	M10x70			
			A/0747-300	50	32		8-17,52	17	20
polish	flat	A/0747-400		42					
		A/0747-500		52	M10x90				
AISI316	satin		A/0746-000-L	30	15	M8x40	6-12,76	13	15
ZAMAK	raw		A14/0746-000	50	32	M10x70	8-17,52	18	20
			A14/0747-300	50	32	M10x70	8-17,52	18	20
			ZN/0746-000	30	15	M8x40	6-12,76	13	15

new

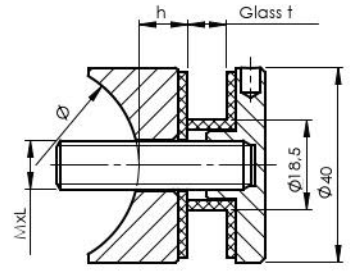


Quality	Finish	∅	art.	D	glass t	glass hole
AISI304	satin	flat	A/0763-000	30	6-12,76	
			A/0764-000	40	8-17,52	15
AISI316			A14/0763-000	30	6-12,76	
			A14/0764-000	40	8-17,52	



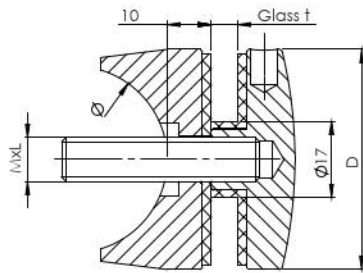


A/0746...

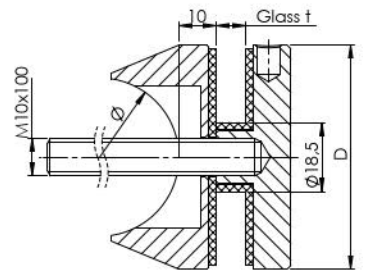


A/0742...

Quality	Finish	∅	art.	h	MxL	glass t	glass hole
AISI304	satin	33,7	A/0746-033	13	M8x50	6-12,76	15
			A/0746-042	15	M8x40		
AISI316	satin	42,4	A14/0746-042	15	M8x40	8-17,52	22
AISI304			A/0742-042	10	M10x40		

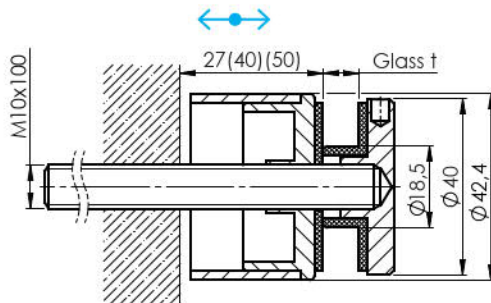


A/0747...
A/0748...
A14/0747...

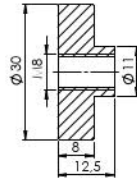


A/0749...

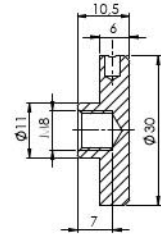
Quality	Finish	∅	art.	D	MxL	glass t	glass hole
AISI304	satin	42,4	A/0747-242	50	M10x50	8-17,52	20
			A/0749-042	60	M10x100		22
AISI316	satin	42,4	A/0748-242	70	M10x40	8-17,52	20
			A14/0747-242	50			



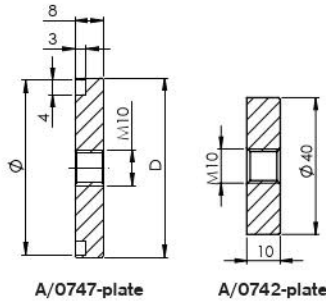
Quality	Finish	∅	art.	glass t	glass hole
AISI304	satin	flat	A/0742-FLEX	8-17,52	22



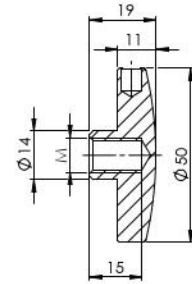
Quality	Finish	art.
AISI304	satin	A/0746-plate



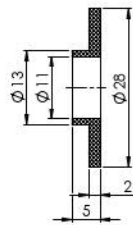
Quality	Finish	art.
AISI304	satin	A/0746-front



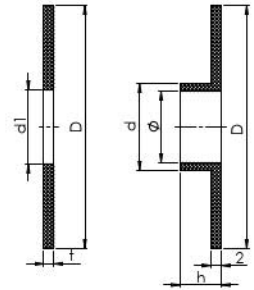
Quality	Finish	art.	D	∅
AISI304	satin	A/0742-plate	40	38,7
		A/0747-plate	50	48,7



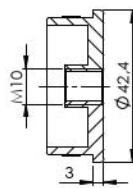
Quality	Finish	art.	M
AISI304	satin	A/0747-front	10
		A/0747-S-front	8



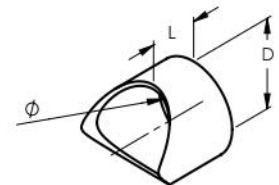
Quality	Finish	art.	Compatibility
Rubber	black	A19/46-Black	A/0746-...
	white	A19/46-White	



Quality	Finish	art.	D	h	d	d1	t	∅	Compatibility
Rubber	black	A19/47-Black	48	8	17	10,5	14	22	A/0747-...
		A19/47-1-Black	48	8	25	14,5	22	A/0742-...	
	white	A19/47-White	48	8	17	10,5	14	22	A/0747-...
		A19/47-1-White	48	8	25	14,5	22	A/0747-...	
PVC	black	A19/47-PVC	-	-	-	14,5	0,7	-	



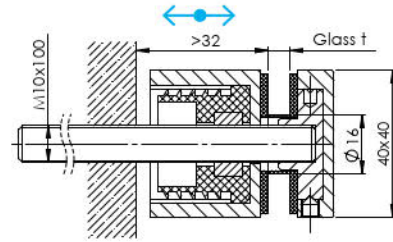
Quality	Finish	art.
AISI304	satin	A/5736-242-M10



Quality	Finish	∅	D	art.	L
AISI304	satin	flat	33,7x2	A/33,7x2-22-000	22
				A/42,4x2-22-000	35
				A/42,4x2-35-000	45
		42,4	33,7x2	A/33,7x2-22-042	22
				A/42,4x2-22-042	
			42,4x2	A/42,4x2-22-042	

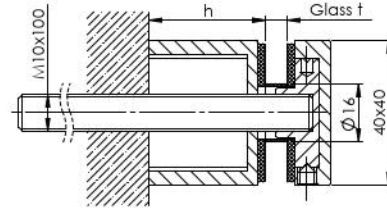
new

MODEL FLEX

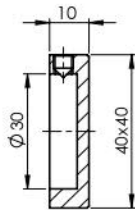


Quality	Finish	Ø	art.	glass t	glass hole
AISI304	satın	flat	A/0745-300-FLEX1	8-17,52	18

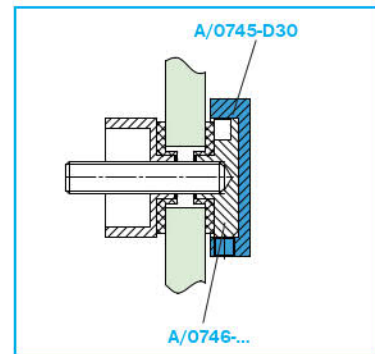
MODEL FIX



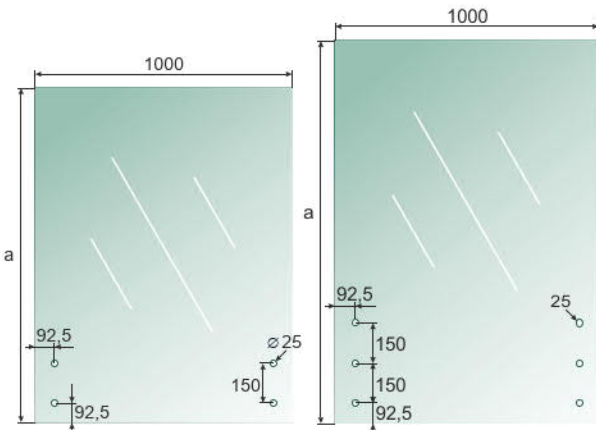
Quality	Finish	Ø	art.	h	glass t	glass hole
AISI304	satın	flat	A/0745-300	32	8-17,52	18
			A/0745-500	52		



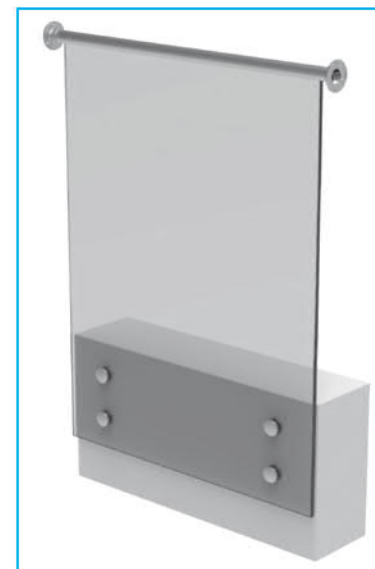
Quality	Finish	art.
AISI304	satın	A/0745-D30



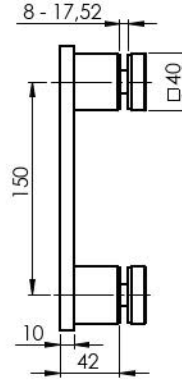
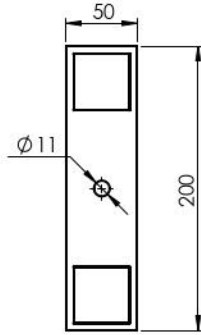
GLASS... VSG ESG 16,76



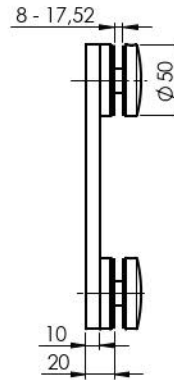
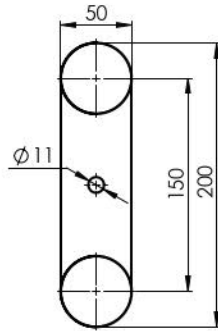
Quality	art.	a	glass t	holes
VSG/ESG	GS/16,76-98x100-VSG/ESG	980	16,76	4
	GS/16,76-133x100-VSG/ESG	1330		
	GS/16,76-108x100-VSG/ESG	1080		
	GS/16,76-143x100-VSG/ESG	1430		



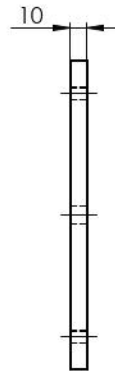
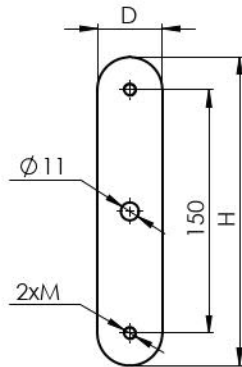
MODEL **FIX**



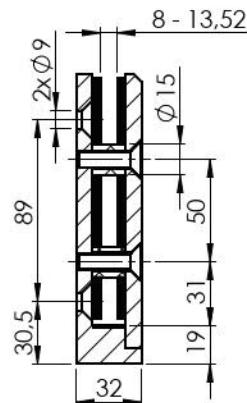
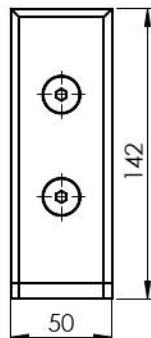
Quality	Finish	art.	glass hole
AISI304	satın	A/2740-000	18



Quality	Finish	art.	glass hole
AISI304	satın	A/2747-000	20



Quality	Finish	art.	D	H	M
AISI304	satın	A/2746-000 plate T10mm	40	190	8
		A/2747-000 plate T10mm	50	200	10

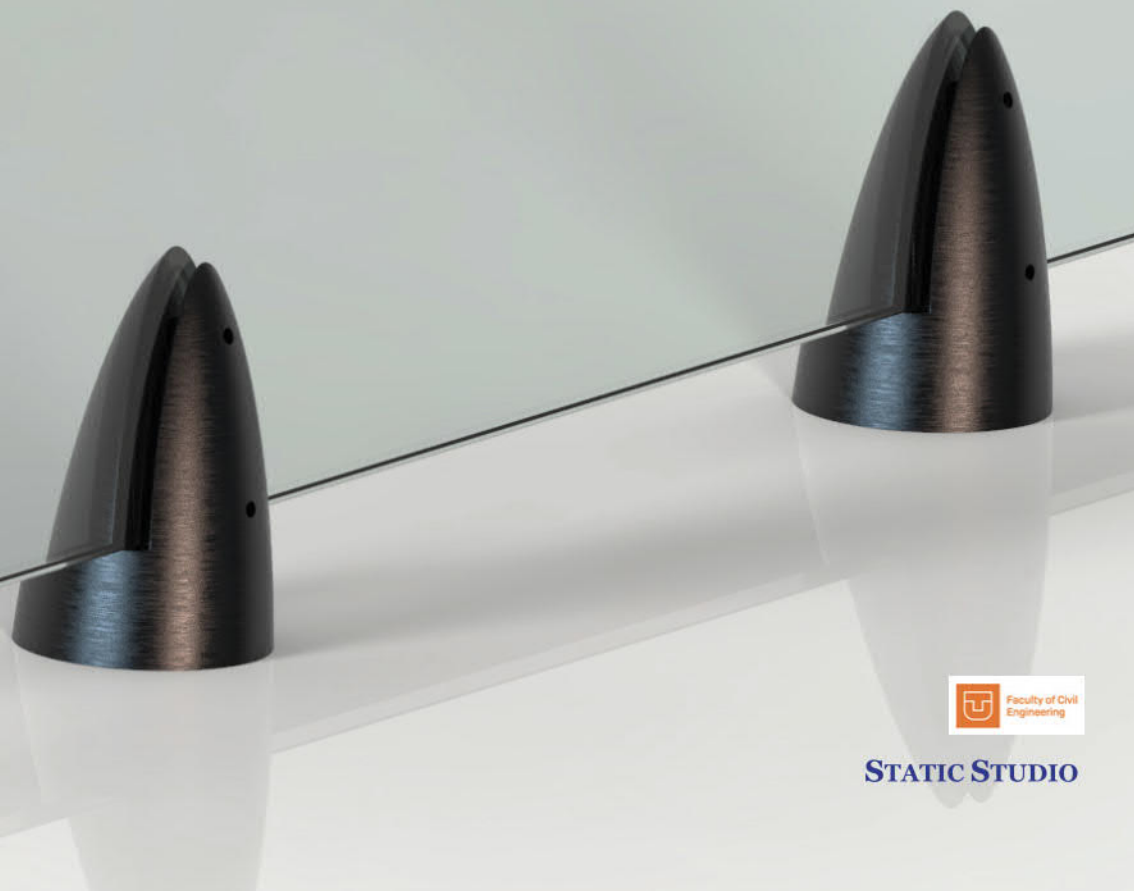


Quality	Finish	art.	glass hole
AISI316	satın	A14/3000-000	18



3

SPIGOTS





ROUND MODELS
ADJUSTABLE



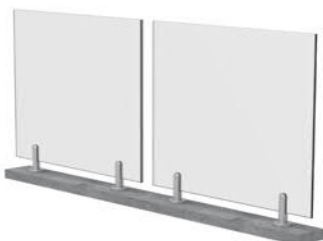
ELIPSE MODELS
FLEX



SQUARE MODELS
FLEX
FIX
ADJUSTABLE



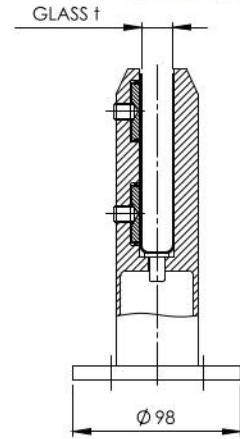
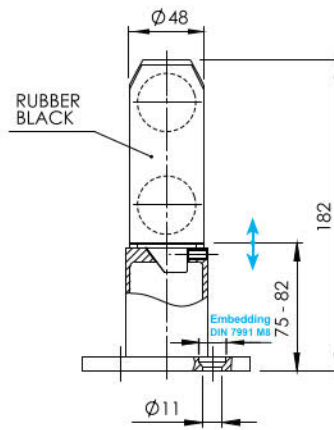
POST MODELS
FIX



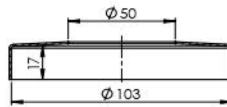
GLASSES + SETS

MODEL 6100

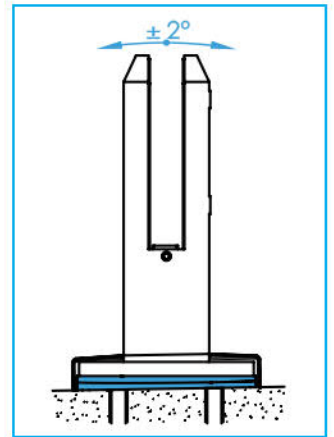
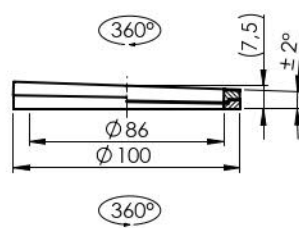
STATIC STUDIO



Quality	Finish	art.	G/h	pcs/m	Glass t
AISI304	satin	A/6100-000-B	0,5kN	3	12-17,52
AISI316		A14/6100-000-B			
AISI316	polish	A14/6100-000-B-L			



Quality	Finish	art.
AISI304	satin	A/0512-050
AISI316		A14/0512-050



Quality	Finish	art.
AISI304	natural	Q10/ANGLE-0-2-100

new

MODEL 6500

Faculty of Civil Engineering

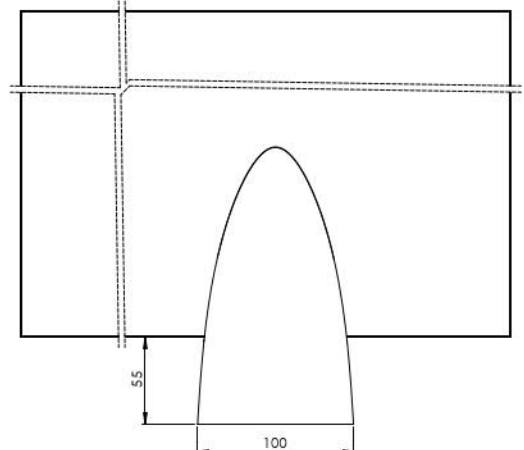
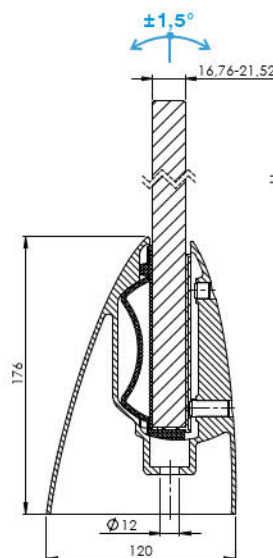


A/6500-000

A-BLACK/6500-000

Quality	Finish	art.	G/h	pcs/m
AISI304	satin	A/6500-000	1kN	3
	BLACK RAL9005	A-BL/6500-000		

new



MODEL 6200

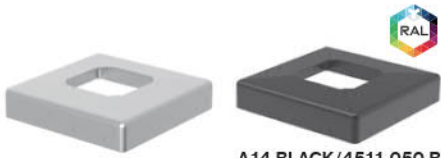
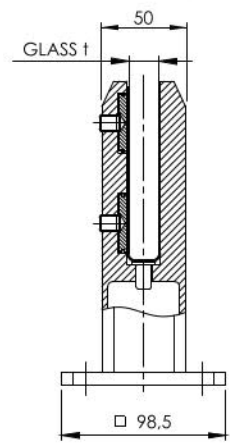
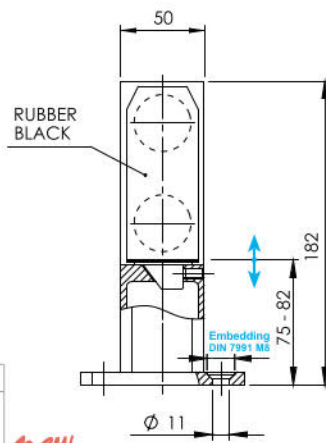


A14/6210-000 .../6200-000-C A-BLACK/6200-000-C

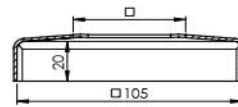
Quality	Finish	art.	G/h	pcs/m	Glass t
AISI304	satin	A/6200-000-C			
	BLACK RAL9004	A-BLACK/6200-000-C			
AISI316	satin	A14/6200-000-C	0,5kN	3	12-17,52
	polish	A14/6200-000-C-L			
S.S.2205	satin	A14/6210-000			
	satin	A22/6200-000-C	0,5kN 1kN	2 3	

new

new

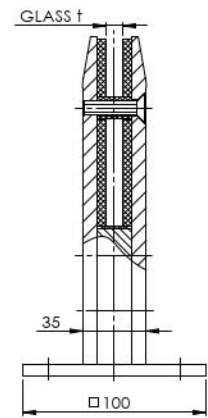
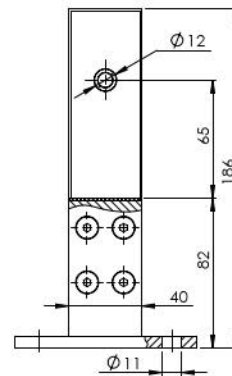


A14-BLACK/4511-050-B



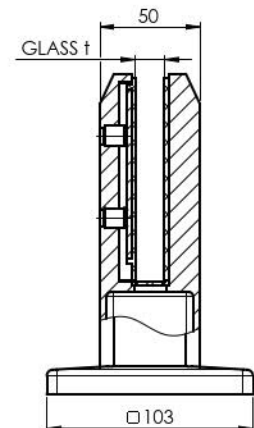
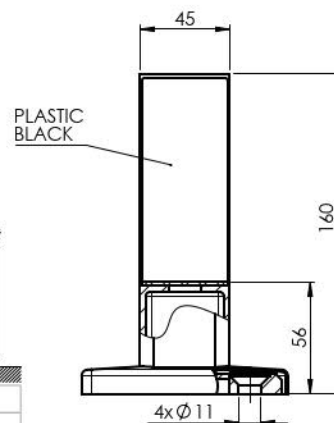
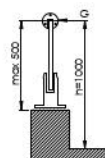
Quality	Finish	art.	☑
AISI316	satin	A14/4511-050-B	
	polish	A14/4511-050-B-L	51,5
	BLACK RAL9004	A14-BLACK/4511-050-B	

new



Quality	Finish	art.	G/h	pcs/m	Glass t	glass hole
AISI304	satin	A/6200-000-B	0,5kN	3	12-17,52	15

MODEL 6220



Quality	Finish	art.	G/h	pcs/m	Glass t
AISI316	satin	A14/6220-014			12,0-13,5
		A14/6220-018	0,25kN*	3	16,0-17,5

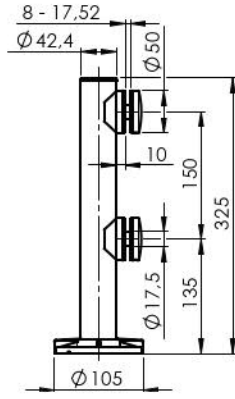
* for use only with anchored cap rail

GLASS 12,76/16,76



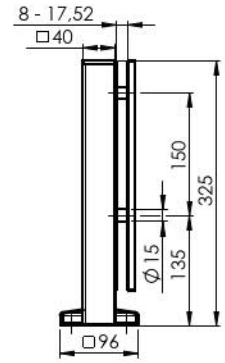
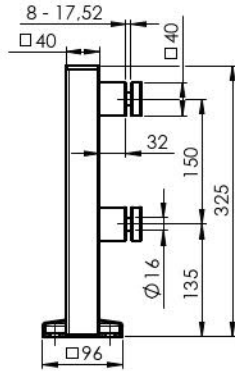
63

MODEL 6300



Quality	Finish	art.	Glass	Glass hole
AISI316	satın	A14/6300-000	GS/16,76-...	20

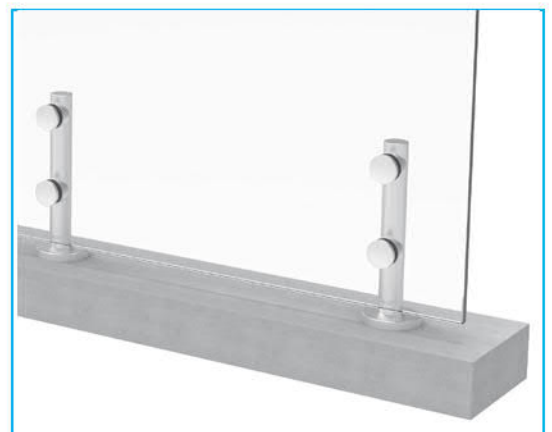
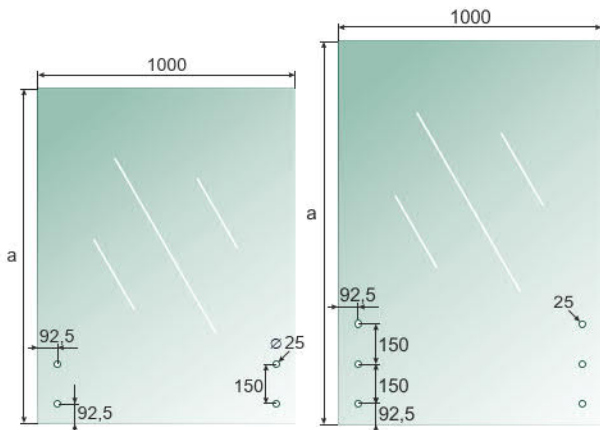
MODEL 6400



Quality	Finish	art.	Glass	Glass hole
AISI304	satın	A/6400-040	GS/16,76-...	20

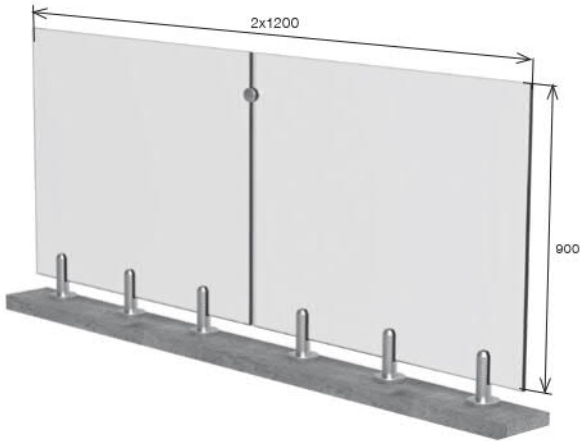
Quality	Finish	art.	Glass	Glass hole
AISI304	satın	A/6400-040-plate	GS/16,76-...	20

GLASS... VSG ESG 16,76



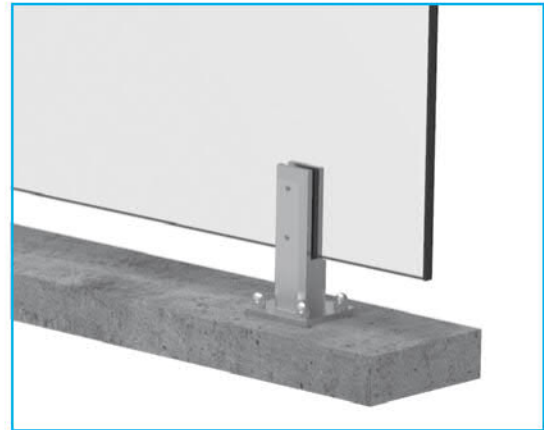
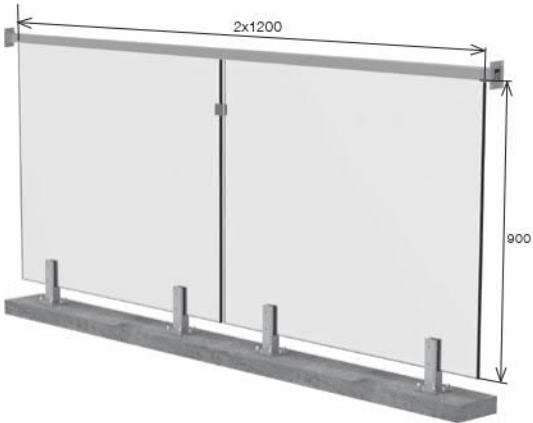
Quality	art.	a	glass t	holes
VSG/ESG	GS/16,76-98x100-VSG/ESG	980	16,76	4
	GS/16,76-133x100-VSG/ESG	1330		
	GS/16,76-108x100-VSG/ESG	1080		
	GS/16,76-143x100-VSG/ESG	1430		

MODEL 6100 SET



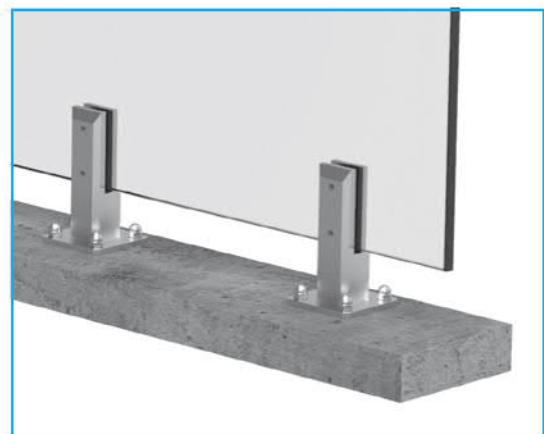
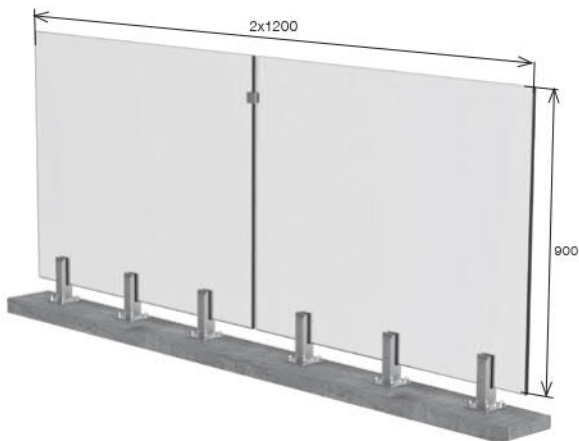
	art.	G/h	glass t
	GS/FRB8-120x100-6100-6	0,5kN	16,76 VSG/ESG

MODEL 6200 SET



	art.	G/h	glass t
	GS/FRB-103x120-6200	0,5kN	16,76 VSG/ESG

• handrail is not included, but it is recommended in this SET.



	art.	G/h	glass t
	GS/FRB8-120x100-6200-6	0,5kN	16,76 VSG/ESG



4

GLASS CONNECTORS
HANDRAIL HOLDERS
FOR GLASS



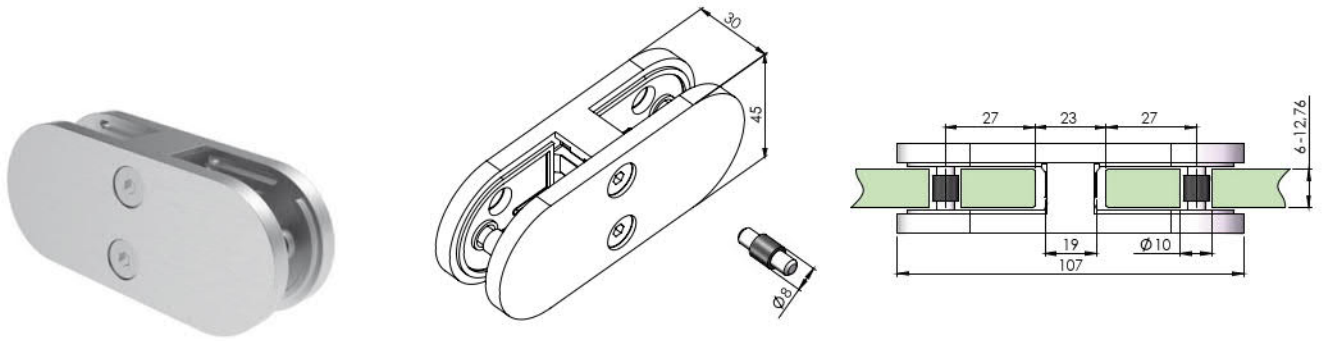
**GLASS CONNECTORS
ROUND MODELS**




**GLASS CONNECTORS
SQUARE MODELS**

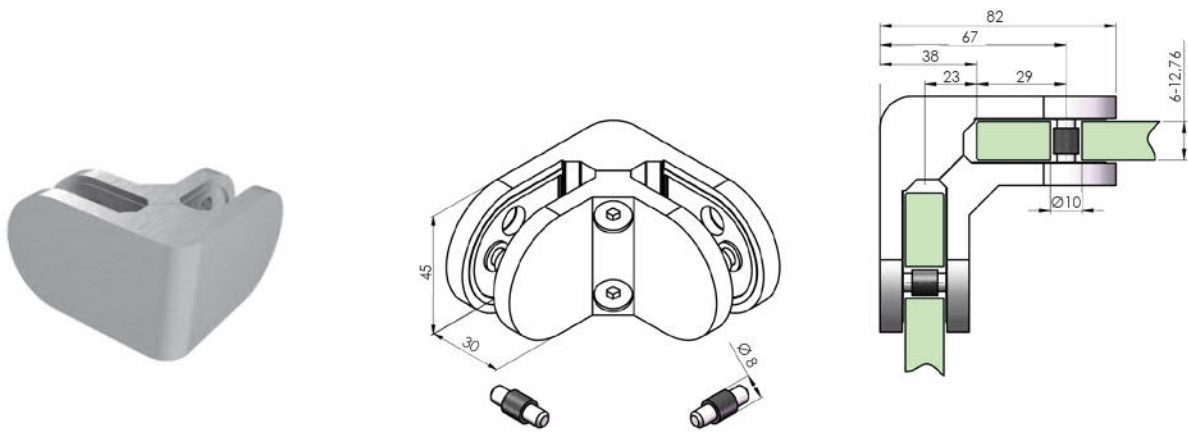


**HANDRAIL HOLDERS
FOR GLASS**




Quality	Finish	art.			Test
AISI316	satın	A14/2500-700	1x	A19/04-PVC	GAMIN

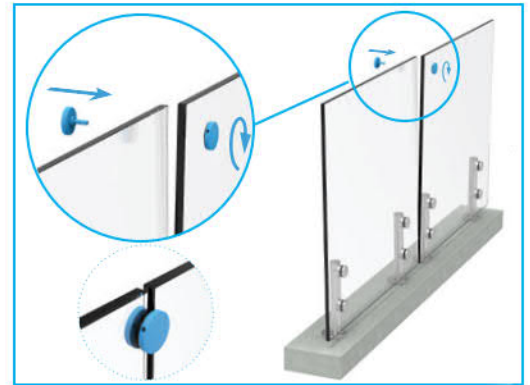
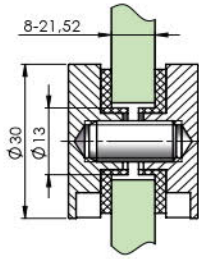
	glass t						
	6	8	8,76	10	10,76	12	12,76
A19/25-006	A19/25-008	A19/25-009	A19/25-010	A19/25-011	A19/25-012	A19/25-013	



Quality	Finish	art.			Test
AISI316	satın	A14/2500-900	1x	A19/04-PVC	GAMIN

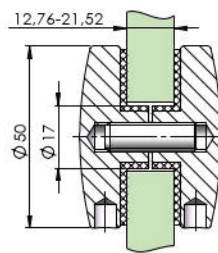
	glass t						
	6	8	8,76	10	10,76	12	12,76
A19/25-006	A19/25-008	A19/25-009	A19/25-010	A19/25-011	A19/25-012	A19/25-013	

MODEL 0746



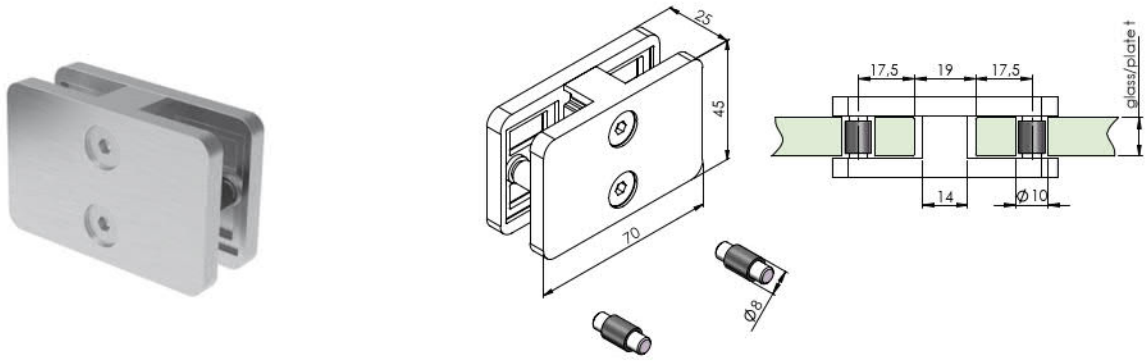
Quality	Finish	art.	glass hole	included	glass t
AISI304	satın	A/0746-SET	15	A-DIN 913-A2 M8x16 A-DIN 913-A2 M8x20 A-DIN 913-A2 M8x25 A-DIN 913-A2 M8x30	8-8,76 10-12,76 13,52-17,52 20,76-21,52

MODEL 0747





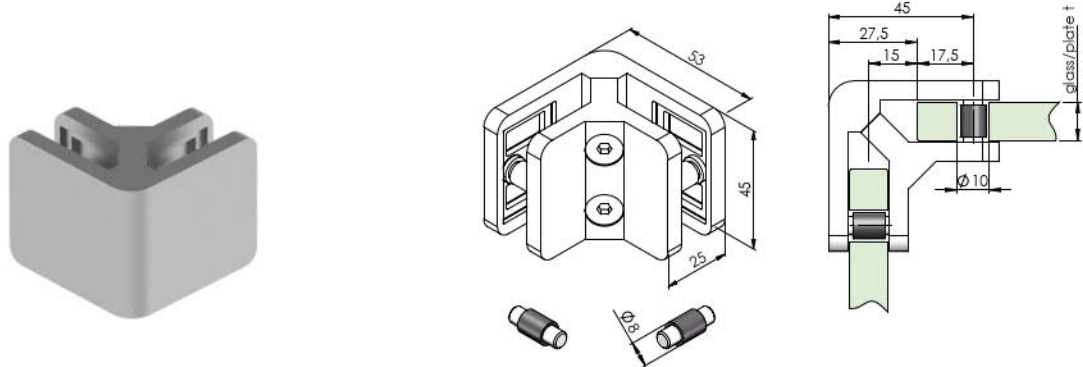
Quality	Finish	art.	glass hole
AISI304	satın	A/0747-S-SET	20

MODEL 230P





Quality	Finish	art.			Test
AISI316	satın	A14/230P-700	1x	A19/04-PVC	GAMIN

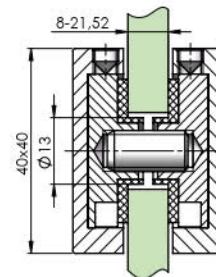
	glass t							
	6	6,76	8	8,76	10	10,76	12	12,76
	A19/23-P06/K08	A19/23-P07/K09	A19/23-P08/K10	A19/23-P09/K11	A19/23-P10/K12	A19/23-P11/K13	A19/23-P12	A19/23-P13
	plate t							
	1,5	2	3	4	5			
	A19/23-P1,5/K3,5	A19/23-P02/K04	A19/23-P03/K05	A19/23-P04/K06	A19/23-P05/K07			



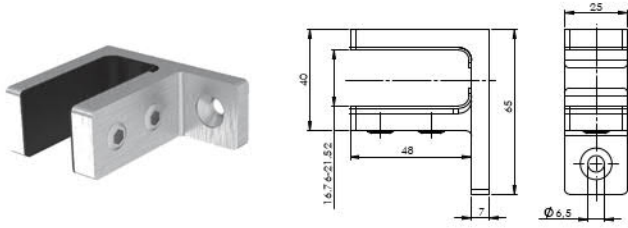
Quality	Finish	art.			Test
AISI316	satın	A14/230P-900	1x	A19/04-PVC	GAMIN

	glass t							
	6	6,76	8	8,76	10	10,76	12	12,76
	A19/23-P06/K08	A19/23-P07/K09	A19/23-P08/K10	A19/23-P09/K11	A19/23-P10/K12	A19/23-P11/K13	A19/23-P12	A19/23-P13
	plate t							
	1,5	2	3	4	5			
	A19/23-P1,5/K3,5	A19/23-P02/K04	A19/23-P03/K05	A19/23-P04/K06	A19/23-P05/K07			

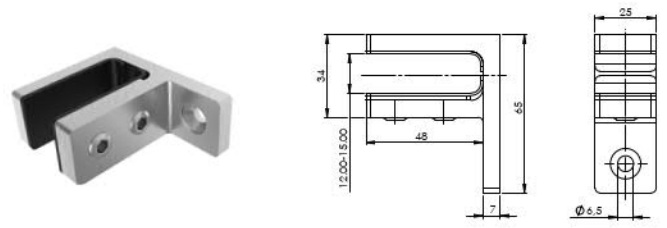
MODEL 0745



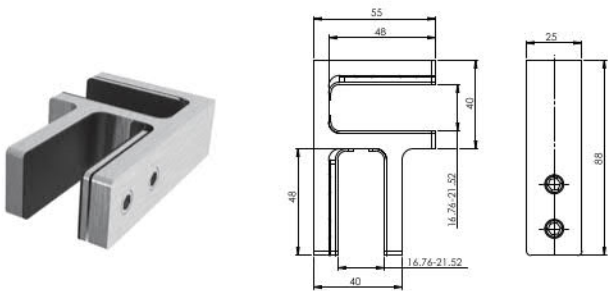
Quality	Finish	art.	glass hole	included 	glass t
AISI304	satın	A/0745-SET	15	A-DIN 913-A2 M8x16 A-DIN 913-A2 M8x20 A-DIN 913-A2 M8x25 A-DIN 913-A2 M8x30	8-8,76 10-12,76 13,52-17,52 20,76-21,52



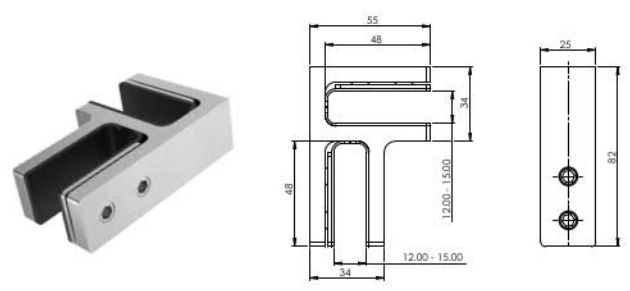
Quality	Finish	art.	glass t
AISI316	satın	A14/0771-000	16,76 - 21,52



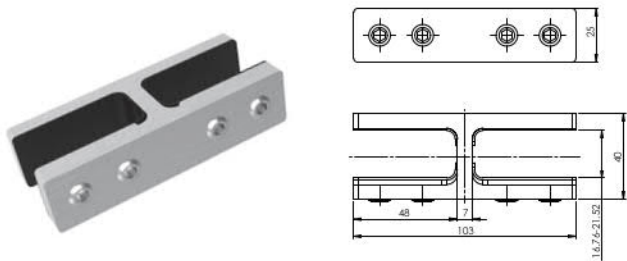
Quality	Finish	art.	glass t
AISI316	satın	A14/0771-015	12 - 15



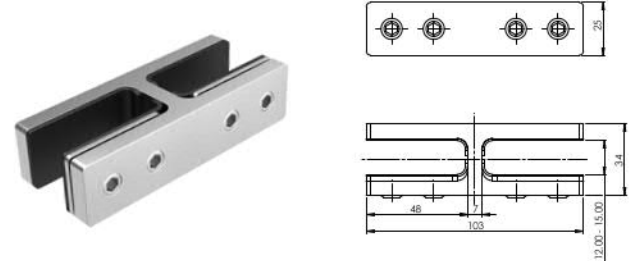
Quality	Finish	art.	glass t
AISI316	satın	A14/0773-000	16,76 - 21,52



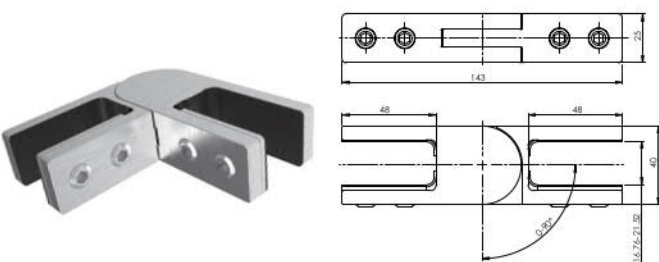
Quality	Finish	art.	glass t
AISI316	satın	A14/0773-015	12 - 15



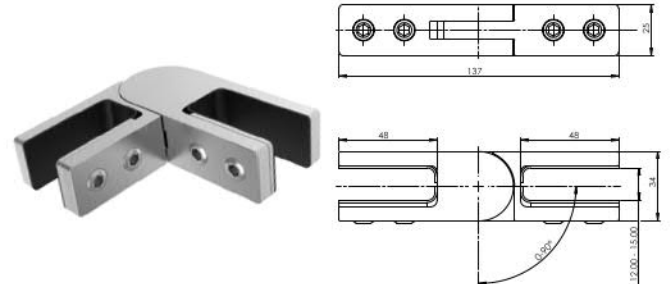
Quality	Finish	art.	glass t
AISI316	satın	A14/0772-000	16,76 - 21,52



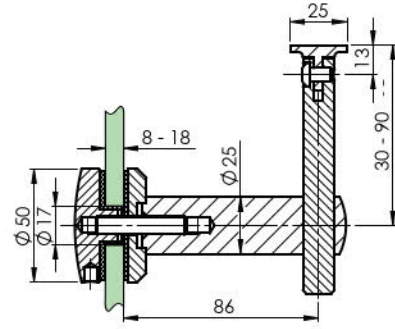
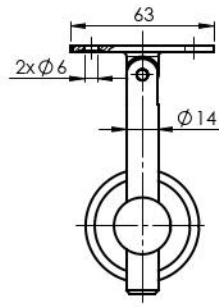
Quality	Finish	art.	glass t
AISI316	satın	A14/0772-015	12 - 15



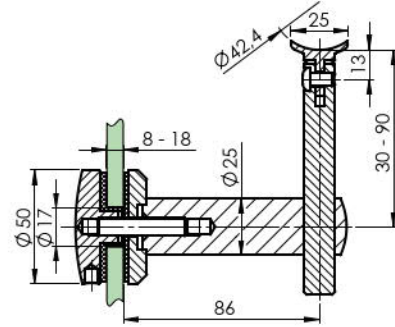
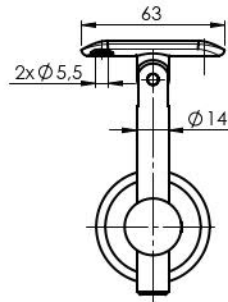
Quality	Finish	art.	glass t
AISI316	satın	A14/0774-000	16,76 - 21,52



Quality	Finish	art.	glass t
AISI316	satın	A14/0774-015	12 - 15

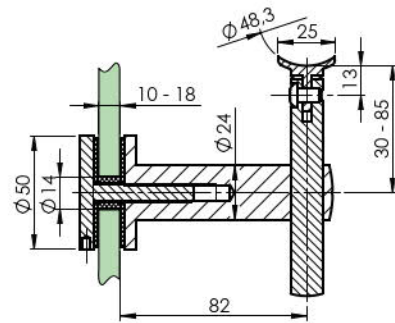
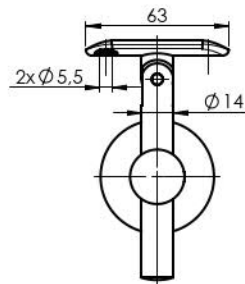


Quality	Finish	art.	Glass hole
AISI304	satın	A/0155-000	20

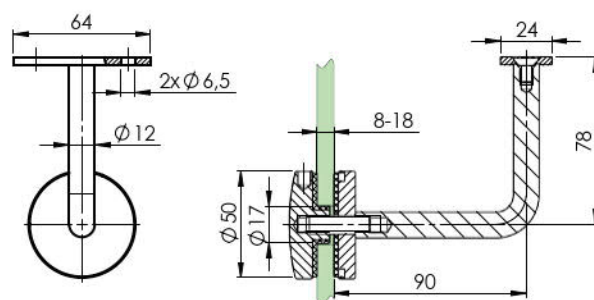


Quality	Finish	art.	Glass hole
AISI304	satın	A/0155-042-B	20
AISI316		A14/0155-042	

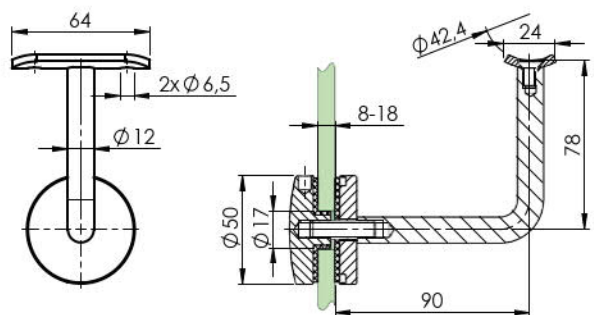
top



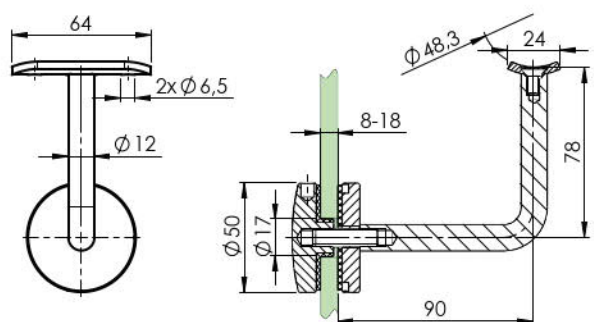
Quality	Finish	art.	Glass hole
AISI316	satın	A14/0155-048	20



Quality	Finish	art.	Glass hole
AISI304	satın	A/0156-000	20



Quality	Finish	art.	Glass hole
AISI304	satın	A/0156-042	20



Quality	Finish	art.	Glass hole
AISI304	satın	A/0156-048	20

5

CAP RAILS





**ROUND MODELS
LED**



SQUARE MODELS

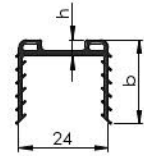
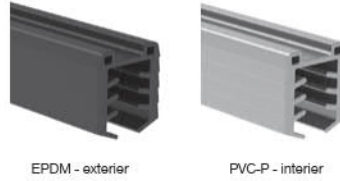
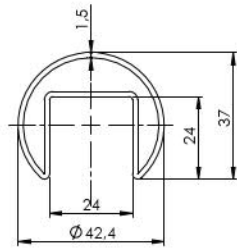


CAP RAIL RUBBERS



**CAP RAIL FITTINGS
END CAPS**

MODEL 42,4x1,5



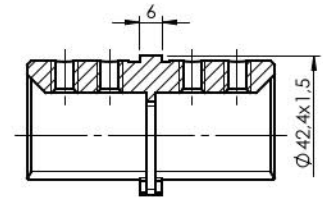
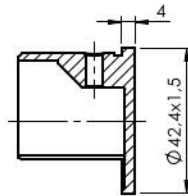
EPDM - exterior

PVC-P - interior

Quality	Finish	art.	L
AISI304	satin	A/6925-042-1250	1250
		A/6925-042	2500
		A/6920-042	5000
		A/6921-042	6000
		A/6921-042	6000
AISI316	polish	A14/6920-042-L	5000

top

Quality	Finish	art.	Glass t	b	h	L
Rubber	black (exterior)	A19/5042-08-2500	8,0-11,0	22	5	2500
		A19/5042-08-5000				5000
		A19/5042-08-6000				6000
		A19/5042-11-2500	11,5-13,5	25	4,5	2500
		A19/5042-11-5000				5000
		A19/5042-11-6000				6000
		A19/5042-16-2500				2500
		A19/5042-16-5000	16,0-17,5	21,5	4,2	5000
		A19/5042-16-6000				6000
		A19/5042-16-30000				30000
A19/5042-21-2500	20,76-21,52	24	3,5	2500		
A19/5042-21-5000				5000		
A19/5042-21-6000				6000		
Rubber interior	gray (interior)	A19/5042-G-16-2500	16,0-17,5	21,5	4,2	2500
		A19/5042-G-16-5000				5000

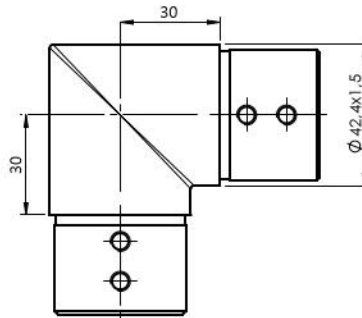


Quality	Finish	art.
AISI304	satin	A/6732-042
AISI316		A14/6732-042

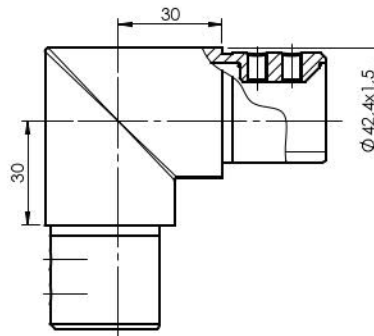
top

Quality	Finish	art.
AISI304	satin	A/6790-042
AISI316		A14/6790-042

top

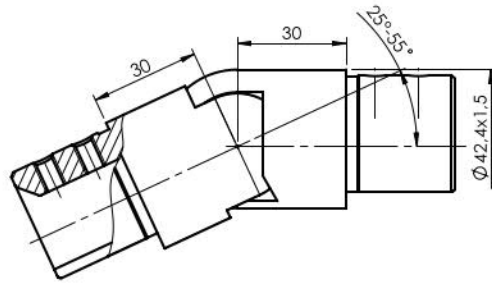


Quality	Finish	art.
AISI304	satin	A/6313-042
AISI316		A14/6313-042

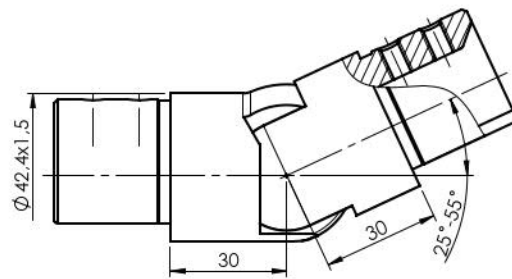


Quality	Finish	art.
AISI316	satin	A14/6303-042

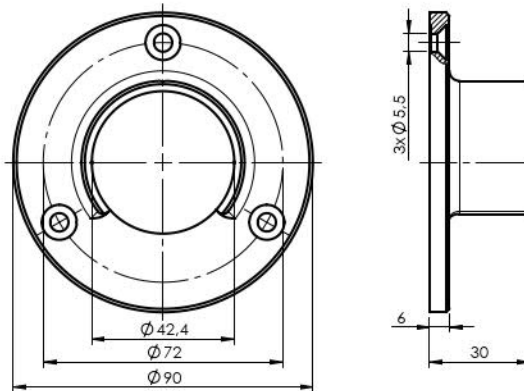
MODEL 42,4x1,5



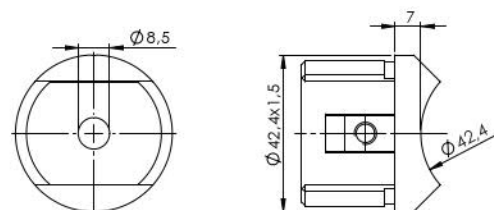
Quality	Finish	art.
AISI304	satin	A/6302-042
AISI316		A14/6302-042



Quality	Finish	art.
AISI304	satin	A/6312-042
AISI316		A14/6312-042

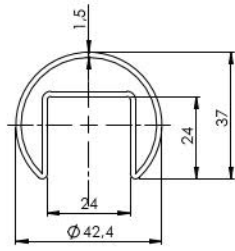
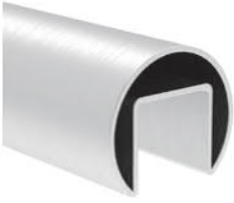


Quality	Finish	art.
AISI316	satin	A14/6505-042



Quality	Finish	art.
AISI316	satin	A14/6727-042

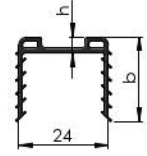
MODEL 42,4x1,5/AL



EPDM - exterior

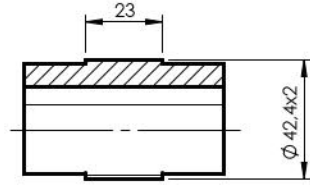
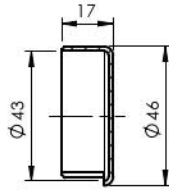


PVC-P - interior



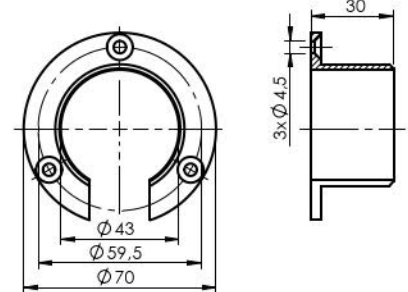
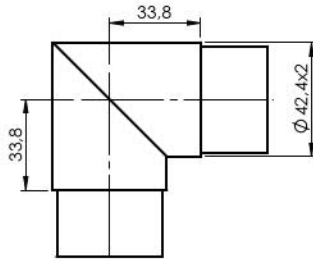
Quality	Finish	Effect	art.	L
ALUMINIUM	satin	silver	AL/6925-042-S-E	3000
		black	AL/6925-042-S-EB	
		silver	AL/6920-042-S-E	6000
		black	AL/6920-042-S-EB	

Quality	Finish	art.	Glass t	b	h	L
Rubber	black (exterior)	A19/5042-08-2500	8,0-11,0	22	5	2500
		A19/5042-08-5000				5000
		A19/5042-08-6000				6000
		A19/5042-11-2500	11,5-13,5	25	4,5	2500
		A19/5042-11-5000				5000
		A19/5042-11-6000				6000
		A19/5042-16-2500	16,0-17,5	21,5	4,2	2500
		A19/5042-16-5000				5000
		A19/5042-16-6000				6000
		A19/5042-16-30000				30000
		A19/5042-21-2500	20,76-21,52	24	3,5	2500
		A19/5042-21-5000				5000
A19/5042-21-6000	6000					
Rubber interior	gray (interior)	A19/5042-G-16-2500	16,0-17,5	21,5	4,2	2500
		A19/5042-G-16-5000				5000



Quality	Finish	art.
ALUMINIUM	satin	AL/6732-042

Quality	Finish	art.
ALUMINIUM	satin	AL/6790-042

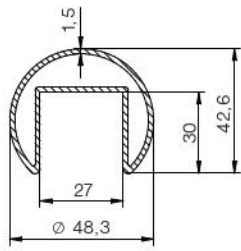


Quality	Finish	art.
ALUMINIUM	satin	AL/6313-042

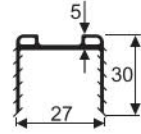
Quality	Finish	art.
ALUMINIUM	satin	AL/6505-042



MODEL 48x1,5

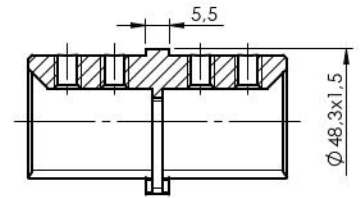
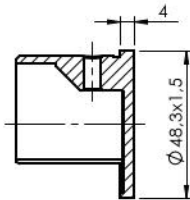


EPDM - exterior



Quality	Finish	art.	L
AISI304	satin	A/6920-048	5000
		A/6925-048	2500
AISI316	satin	A14/6920-048	5000
		A14/6925-048	2500

Quality	Finish	art.	Glass t	L
Rubber	black (exterior)	A19/5048-15-5000	15,0-17,5	5000
		A19/5048-22-2500	20,0-20,5	2500
		A19/5048-26-5000	24,76-25,52	5000

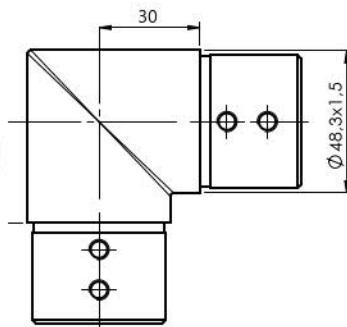


Quality	Finish	art.
AISI304	satin	A/6732-048

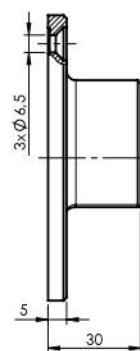
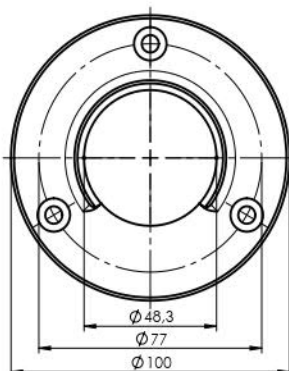
Quality	Finish	art.
AISI304	satin	A/6790-048

5

CAP RAILS

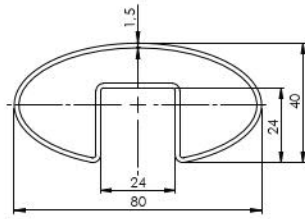
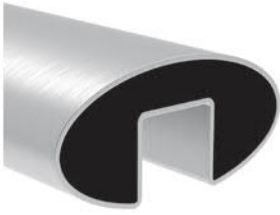


Quality	Finish	art.
AISI304	satin	A/6313-048



Quality	Finish	art.
AISI304	satin	A/6505-048

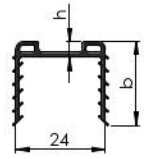
MODEL 80x40x1,5



EPDM - exterior



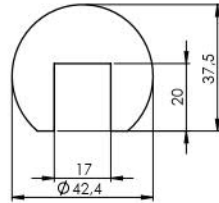
PVC-P - interior



Quality	Finish	art.	L
AISI304	satın	A/6920-080	5000

Quality	Finish	art.	Glass t	b	h	L
Rubber	black (exterior)	A19/5042-08-2500	8,0-11,0	22	5	2500
		A19/5042-08-5000				5000
		A19/5042-08-6000				6000
		A19/5042-11-2500	11,5-13,5	25	4,5	2500
		A19/5042-11-5000				5000
		A19/5042-11-6000				6000
		A19/5042-16-2500	16,0-17,5	21,5	4,2	2500
		A19/5042-16-5000				5000
		A19/5042-16-6000				6000
		A19/5042-16-30000				30000
		A19/5042-21-2500	20,76-21,52	24	3,5	2500
		A19/5042-21-5000				5000
A19/5042-21-6000	6000					
Rubber interior	gray (interior)	A19/5042-G-16-2500	16,0-17,5	21,5	4,2	2500
		A19/5042-G-16-5000				5000

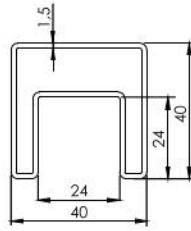
MODEL 42,4



Quality	Finish	art.	L
Beech	natural	WB/6925-042-17	2500
		WB/6925-042-17-CINK	
Oak	natural	WD/6925-042-17	
		WD/6925-042-17-CINK	



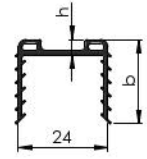
MODEL 40x40x1,5



EPDM - exterior

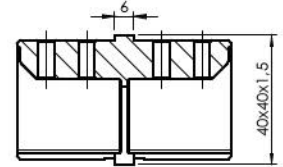
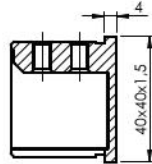


PVC-P - interior



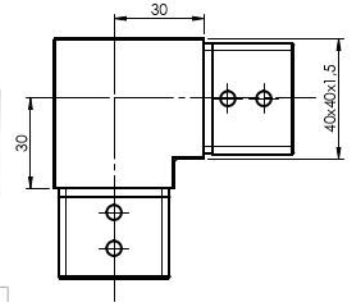
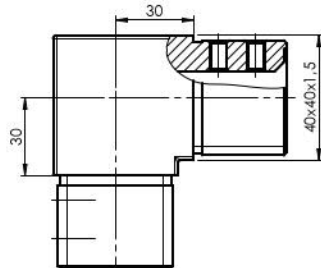
Quality	Finish	art.	L
AISI304	satin	A/6925-040	2500
		A/6920-040	5000
		A/6921-040	6000
AISI316		A14/6920-040	5000

Quality	Finish	art.	Glass t	b	h	L
Rubber	black (exterior)	A19/5042-08-2500	8,0-11,0	22	5	2500
		A19/5042-08-5000				5000
		A19/5042-08-6000				6000
		A19/5042-11-2500	11,5-13,5	25	4,5	2500
		A19/5042-11-5000				5000
		A19/5042-11-6000				6000
		A19/5042-16-2500	16,0-17,5	21,5	4,2	2500
		A19/5042-16-5000				5000
		A19/5042-16-6000				6000
		A19/5042-16-30000				30000
		A19/5042-21-2500	20,76-21,52	24	3,5	2500
		A19/5042-21-5000				5000
A19/5042-21-6000	6000					
Rubber interior	gray (interior)	A19/5042-G-16-2500	16,0-17,5	21,5	4,2	2500
		A19/5042-G-16-5000				5000



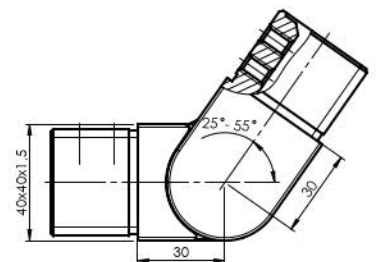
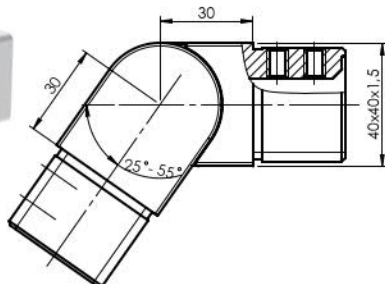
Quality	Finish	art.
AISI304	satin	A/6732-040
AISI316		A14/6732-040

Quality	Finish	art.
AISI304	satin	A/6790-040
AISI316		A14/6790-040



Material	Finish	art.
AISI316	satin	A14/6303-040

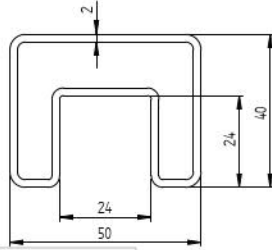
Quality	Finish	art.
AISI304	satin	A/6313-040
AISI316		A14/6313-040



Material	Finish	art.
AISI316	satin	A14/6302-040

Material	Finish	art.
AISI316	satin	A14/6312-040

MODEL 50x40x2/AL



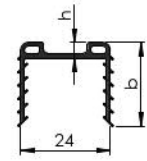
Quality	Finish	Effect	art.	L
ALUMINIUM	satin	silver	AL/6925-540-S-E	3000
			AL/6920-540-S-E	6000
		black	AL/6925-540-S-EB	3000
			AL/6920-540-S-EB	6000



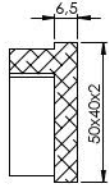
EPDM - exterior



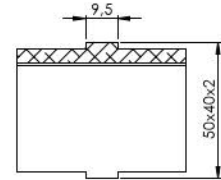
PVC-P - interior



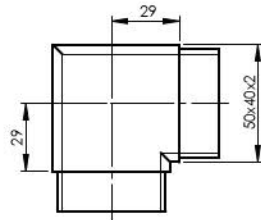
Quality	Finish	art.	Glass t	b	h	L
Rubber	black (exterior)	A19/5042-08-2500	8,0-11,0	22	5	2500
		A19/5042-08-5000				5000
		A19/5042-08-6000				6000
		A19/5042-11-2500	11,5-13,5	25	4,5	2500
		A19/5042-11-5000				5000
		A19/5042-11-6000				6000
		A19/5042-16-2500	16,0-17,5	21,5	4,2	2500
		A19/5042-16-5000				5000
		A19/5042-16-6000				6000
		A19/5042-16-30000				30000
		A19/5042-21-2500	20,76-21,52	24	3,5	2500
		A19/5042-21-5000				5000
A19/5042-21-6000	6000					
Rubber interior	gray (interior)	A19/5042-G-16-2500	16,0-17,5	21,5	4,2	2500
		A19/5042-G-16-5000				5000



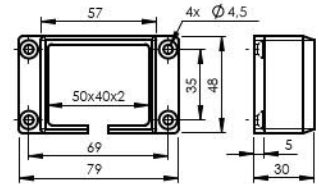
Quality	Finish	art.	☒
ALUMINIUM	satin	AL/6732-540	50x40x2



Quality	Finish	art.	☒
ALUMINIUM	satin	AL/6790-540	50x40x2

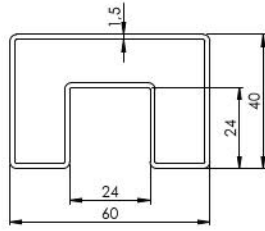


Quality	Finish	art.	☒
ALUMINIUM	satin	AL/6313-540	50x40x2



Quality	Finish	art.	☒
ALUMINIUM	satin	AL/6505-540	50x40x2

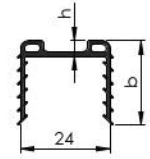
MODEL 60x40x1,5



EPDM - exterior

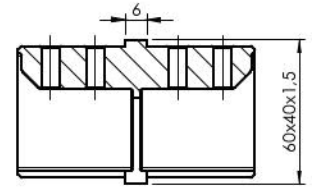
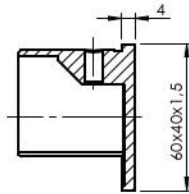


PVC-P - interior



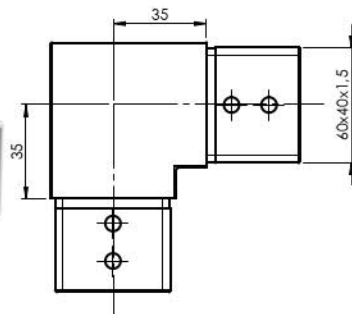
Quality	Finish	art.	L
AISI304	satin	A/6920-640	5000
		A/6925-640	2500
AISI316	satin	A14/6920-640	5000
		A14/6925-640	2500

Quality	Finish	art.	Glass t	b	h	L
Rubber	black (exterior)	A19/5042-08-2500	8,0-11,0	22	5	2500
		A19/5042-08-5000				5000
		A19/5042-08-6000				6000
		A19/5042-11-2500	11,5-13,5	25	4,5	2500
		A19/5042-11-5000				5000
		A19/5042-11-6000				6000
		A19/5042-16-2500	16,0-17,5	21,5	4,2	2500
		A19/5042-16-5000				5000
		A19/5042-16-6000				6000
		A19/5042-16-30000				30000
		A19/5042-21-2500	20,76-21,52	24	3,5	2500
		A19/5042-21-5000				5000
A19/5042-21-6000	6000					
Rubber interior	gray (interior)	A19/5042-G-16-2500	16,0-17,5	21,5	4,2	2500
		A19/5042-G-16-5000				5000



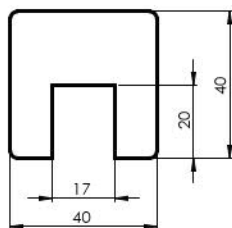
Quality	Finish	art.
AISI316	satin	A14/6732-640

Quality	Finish	art.
AISI316	satin	A14/6790-640



Quality	Finish	art.
AISI316	satin	A14/6313-640

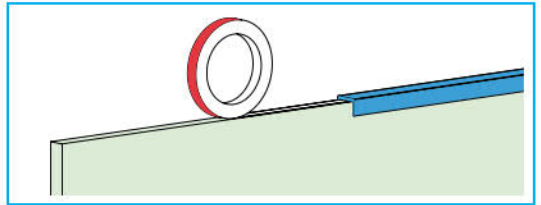
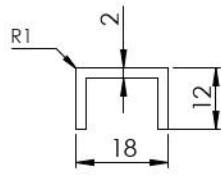
MODEL 40x40/WOOD



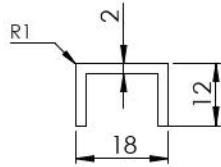
Quality	Finish	art.	L
Beech	natural	WB/6925-040-17	2500
		WB/6925-040-17-CINK	
Oak	natural	WD/6925-040-17	2500
		WD/6925-040-17-CINK	



MODEL 18x12x2



Material	Finish	Effect	art.	L	glass t
ALUMINIUM	satin	ELOX	AL/6901-014-3000-S-E	3000	12-13,52
			AL/6901-014-6000-S-E	6000	
		Black Elox	AL/6901-014-6000-S-EB		



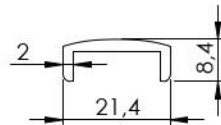
Material	Finish	Effect	art.	L	glass t
ALUMINIUM	satin	ELOX	AL/6901-014-G90-S-E	200	12-13,52
		Black Elox	AL/6901-014-G90-S-EB		

new

5

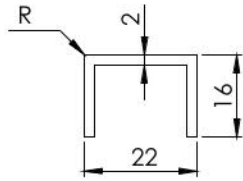
CAP RAILS

MODEL 22x9x2

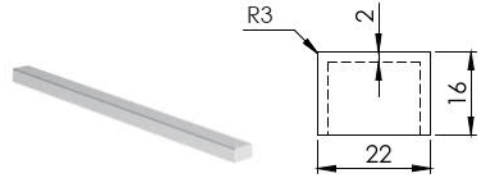
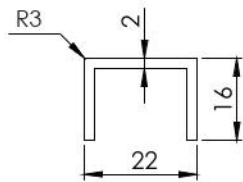


Material	Finish	Effect	art.	L	glass t
ALUMINIUM	satin	ELOX	AL/6901-017-3000-S-E	3000	16,76
			AL/6901-017-6000-S-E	6000	

MODEL 22x16x2



Material	Finish	Effect	art.	L	glass t	R
AISI304	satin	silver	A/6901-018-2500	2500	16-17,52	3
			A/6901-018-5000	5000		
		silver	A/6901-A-018-2500	2500		5
			A/6901-A-018-5000	5000		
ALUMINIUM		ELOX	AL/6901-018-3000-S-E	3000	1	<i>top</i>
			AL/6901-018-6000-S-E	6000		
		black elox	AL/6901-018-6000-S-EB	6000		



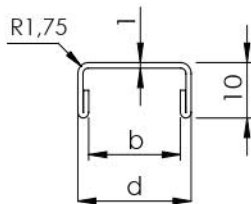
Material	Finish	Effect	art.	L	glass t
AISI304	satin	silver	A/6901-018-G90	200	16-17,52
ALUMINIUM		ELOX	AL/6901-018-G90-S-E		
		Black Elox	AL/6901-018-G90-S-EB		

Material	Finish	art.	L	glass t
AISI304	satin	A/6901-018-CAP	200	16-17,52

new

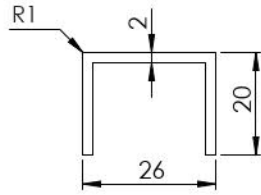
new

MODEL dx10x1

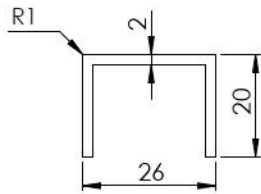


Material	Finish	Effect	art.	L	b	d	glass t
AISI304	satin	silver	A/6902-014-2500	2500	13,5	17,5	13,52
			A/6902-018-2500		17,5	21,5	17,52
			A/6902-022-2500		21,5	25,5	21,52
			A/6902-014-5000		13,5	17,5	13,52
			A/6902-018-5000		17,5	21,5	17,52
			A/6902-022-5000		21,5	25,5	21,52

MODEL 26x20x2



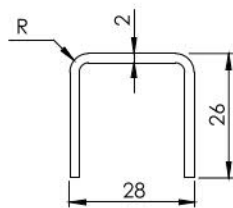
Material	Finish	Effect	art.	L	glass t
ALUMINIUM	satin	ELOX	AL/6901-022-3000-S-E	3000	20-21,52
			AL/6901-022-6000-S-E	6000	
		black elox	AL/6901-022-6000-S-EB		



Material	Finish	Effect	art.	L	glass t
ALUMINIUM	satin	ELOX	AL/6901-022-G90-S-E	200	20-21,52
		Black Elox	AL/6901-022-G90-S-EB		

new

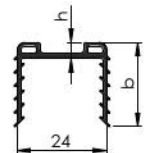
MODEL 28x26x2



EPDM - exterior

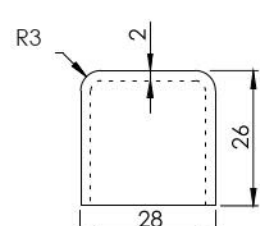
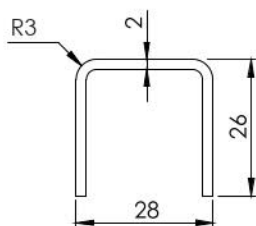


PVC-P - interior



Quality	Finish	art.	L	glass t	R
AISI304	satin	A/6900-024-2500	2500	8-24	3
		A/6900-024-2500-EXCLUSIVE			3,5
		A/6900-A-024-2500			5
		A/6900-024-5000	5000		3
		A/6900-024-5000-EXCLUSIVE			3,5
		A/6900-A-024-5000			5

Quality	Finish	art.	Glass t	b	h	L
Rubber	black (exterior)	A19/5042-08-2500	8,0-11,0	22	5	2500
		A19/5042-08-5000				5000
		A19/5042-08-6000				6000
		A19/5042-11-2500	11,5-13,5	25	4,5	2500
		A19/5042-11-5000				5000
		A19/5042-11-6000				6000
		A19/5042-16-2500	16,0-17,5	21,5	4,2	2500
		A19/5042-16-5000				5000
		A19/5042-16-6000				6000
		A19/5042-16-30000	20,76-21,52	24	3,5	30000
		A19/5042-21-2500				2500
		A19/5042-21-5000				5000
A19/5042-21-6000	16,0-17,5	21,5	4,2	6000		
Rubber interior				gray (interier)	A19/5042-G-16-2500	2500
A19/5042-G-16-5000				5000		

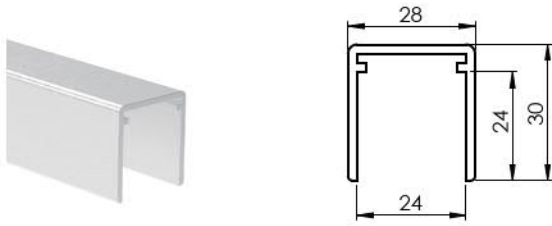


Material	Finish	art.	L	glass t	R
AISI304	satin	A/6900-024-G90	200	8-24	3

new

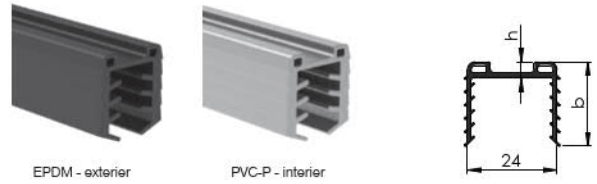
Material	Finish	art.	L	glass t
AISI304	satin	A/6900-024-CAP	200	8-24

MODEL 28x30x2



Material	Finish	Effect	art.	L	glass t
ALUMINIUM	satin	ELOX	AL/6902-024-3000-S-E	3000	8-21,52
			AL/6902-024-6000-S-E	6000	

new



Quality	Finish	art.	Glass t	b	h	L
Rubber	black (exterior)	A19/5042-08-2500	8,0-11,0	22	5	2500
		A19/5042-08-5000				5000
		A19/5042-08-6000				6000
		A19/5042-11-2500	11,5-13,5	25	4,5	2500
		A19/5042-11-5000				5000
		A19/5042-11-6000				6000
		A19/5042-16-2500	16,0-17,5	21,5	4,2	2500
		A19/5042-16-5000				5000
		A19/5042-16-6000				6000
		A19/5042-16-30000				30000
		A19/5042-21-2500	20,76-21,52	24	3,5	2500
		A19/5042-21-5000				5000
A19/5042-21-6000	6000					
Rubber interior	gray (interior)	A19/5042-G-16-2500	16,0-17,5	21,5	4,2	2500
		A19/5042-G-16-5000				5000



Material	Finish	art.	compatibility
AISI304	satin	A/6902-024-G90	AL/6902-024...

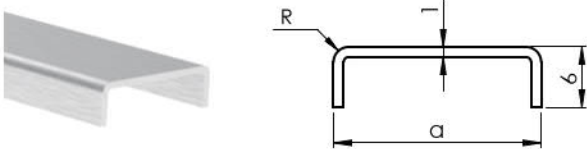
new



Material	Finish	art.	compatibility
AISI304	satin	A/6902-024-G00	AL/6902-024...

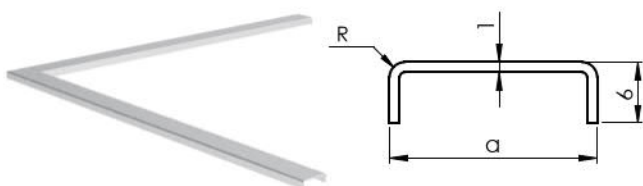
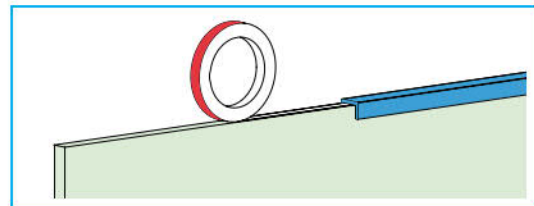
new

MODEL ax6x1



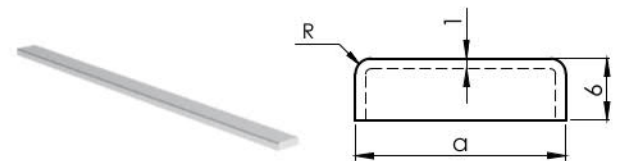
Material	Finish	art.	L	a	glass t	R
AISI304	satin	A/6903-014-6000	6000	16,5	12-13,52	1,75
		A/6903-018-6000		20,5	16-17,52	2
		A/6903-022-6000		24,5	20-21,52	
		A/6903-025-6000		28,5	24,76-25,52	

new



Material	Finish	art.	L	a	glass t	R
AISI304	satin	A/6903-014-G90	200	16,5	12-13,52	1,75
		A/6903-018-G90		20,5	16-17,52	2
		A/6903-022-G90		24,5	20-21,52	
		A/6903-025-G90		28,5	24,76-25,52	

new



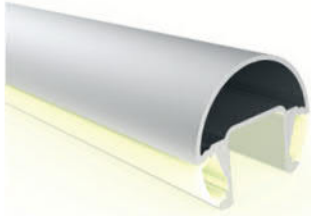
Material	Finish	art.	L	a	glass t	R
AISI304	satin	A/6903-014-CAP	200	16,5	12-13,52	1,75
		A/6903-018-CAP		20,5	16-17,52	2
		A/6903-022-CAP		24,5	20-21,52	
		A/6903-025-CAP		28,5	24,76-25,52	

new

6

LED
HANDRAILS





**LED HANDRAILS -
ROUND**

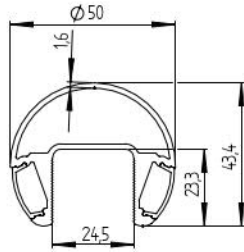
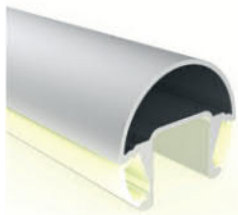


**LED HANDRAIL SETS -
ROUND**



**LED HANDRAIL SETS -
SQUARE**

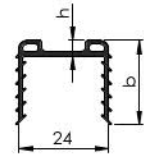
MODEL 50/AL/LED



EPDM - exterior

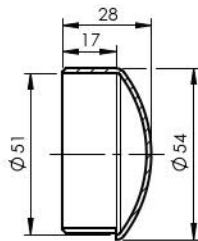


PVC-P - interior

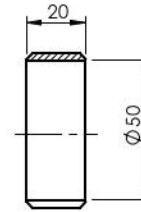


Quality	Finish	Effect	art.	L	
ALUMINIUM	satin	silver	AL/6920-050-LED-S-E	6000	✓
		black	AL/6920-050-LED-S-EB		

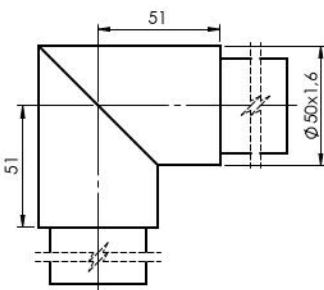
Quality	Finish	art.	Glass t	b	h	L
Rubber	black (exterior)	A19/5042-08-2500	8,0-11,0	22	5	2500
		A19/5042-08-5000				5000
		A19/5042-08-6000				6000
		A19/5042-11-2500	11,5-13,5	25	4,5	2500
		A19/5042-11-5000				5000
		A19/5042-11-6000				6000
		A19/5042-16-2500	16,0-17,5	21,5	4,2	2500
		A19/5042-16-5000				5000
		A19/5042-16-6000				6000
		A19/5042-16-30000				30000
		A19/5042-21-2500	20,76-21,52	24	3,5	2500
		A19/5042-21-5000				5000
A19/5042-21-6000	6000					
Rubber interior	gray (interior)	A19/5042-G-16-2500	16,0-17,5	21,5	4,2	2500
		A19/5042-G-16-5000				5000



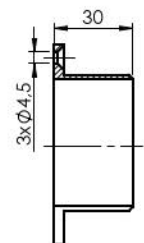
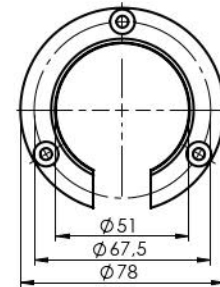
Quality	Finish	art.
ALUMINIUM	satin	AL/6732-050-LED





Quality	Finish	art.
ALUMINIUM	satin	AL/6790-050-LED



Quality	Finish	art.
ALUMINIUM	satin	AL/6313-050-LED



Quality	Finish	art.
ALUMINIUM	satin	AL/6505-050-LED

									
	Quality	Finish	Ø	art.	A/6925-042	LED/24x24-24V	YEM/2x0,75-SET	A14/4114-042-LED	A/6732-042
	AISI304	satín	42,4x1,5	A/6920-042-iLED-2500	1x (2500mm)	1x (2500mm)	1x	3x	2x



Quality	Finish	Color	art.	L	a x b	IP	Lumen	Power	Voltage	
PVC + SILICONE	white	5000K	LED/24x24-24V	25m	24 x 24	IP40/IP65*	120lm/m	8W/m	24VDC	✓

art.	L(m)
YEM/2x0,75-SET	0,75

* IP65 using silicone end



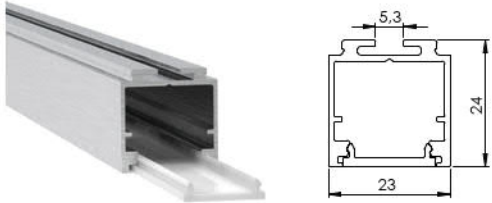
art.	t	b	L
Q9/03-0,2x9	0,2	9	50
Q9/03-0,5x9	0,5	9	33

art.	g
A/GLUE-50g-C	50 <i>top</i>

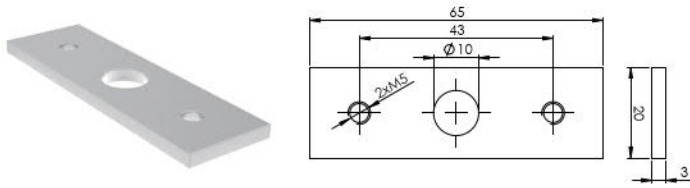


MODEL **ROUND**

	Quality	Finish	Ø	art.	A/6920-042	AL/23x24-5000-LED-SET	A14/PD-LED-23x24	A14/0112-000-LED-B	A/0112-000	A/6732-042
	AISI304	satın	42,4x1,5	A/6920-042-LED-5000-S1	1x (5000mm)	1x (5000mm)	5x	1x	4x	2x
	+									

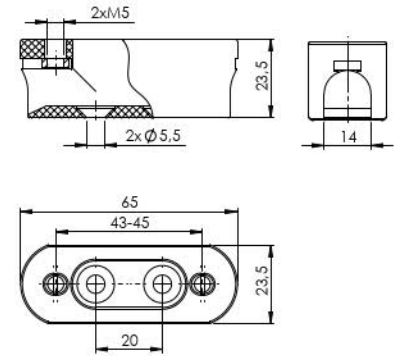


Material	Effect	art.	L
ALUMINIUM	raw	AL/23x24-5000-LED-SET	5000



Material	Effect	art.
AISI316	raw	A14/PD-LED-23x24

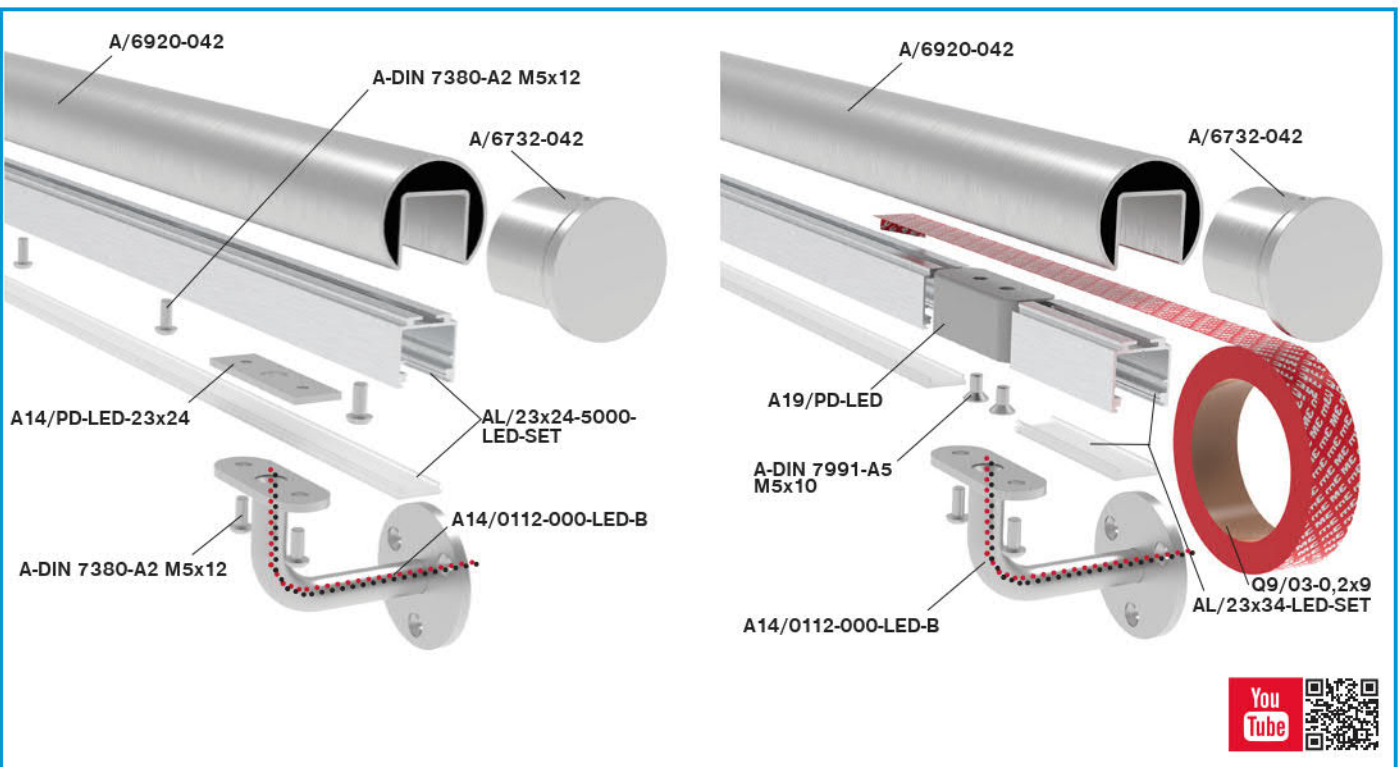
art.	A-DIN 7380-A2 M5x12	A-DRILL-M5	A/GLUE-20g
Quantity	20x	1x	1x



Quality	Finish	art.
PVC	Black	A19/PD-LED

6

LED HANDRAILS

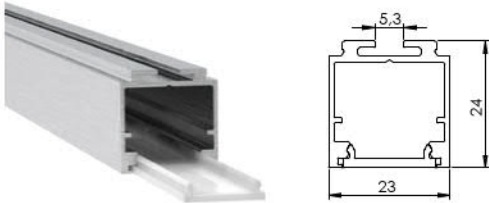


MODEL SQUARE

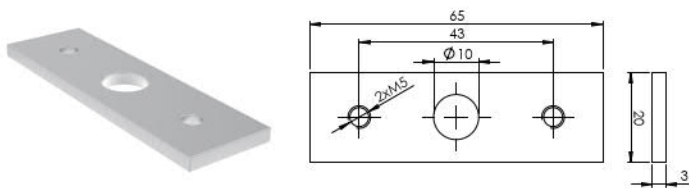
	Quality	Finish	art.			A/6920-040	AL/23x24-5000-LED-SET	A14/PD-LED-23x24	A/4111-000-LED	A/4732-040
	AISI304	satın	40x40	A/6920-040-LED-5000-S1			1x (5000mm)	1x (5000mm)	5x	5x

+

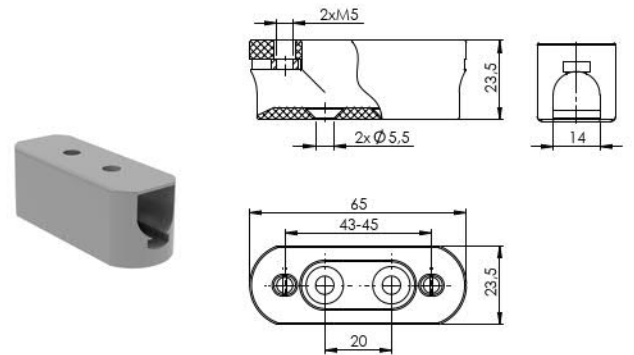
	art.	A-DIN 7380-A2 M5x12	A-DRILL-M5	A/GLUE-20g
Quantity	20x	1x	1x	



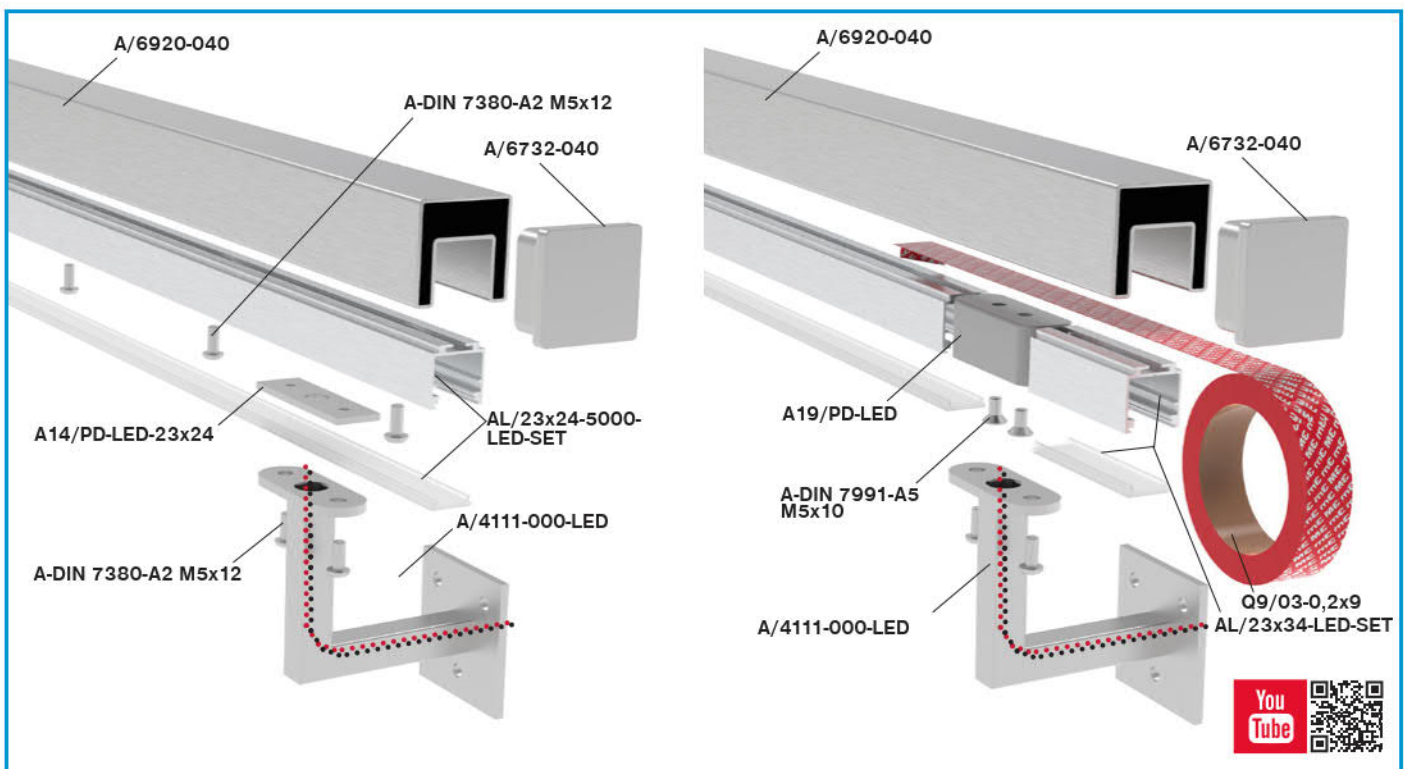
Material	Effect	art.		L
ALUMINIUM	raw	AL/23x24-5000-LED-SET		5000



Material	Effect	art.	
AISI316	raw	A14/PD-LED-23x24	

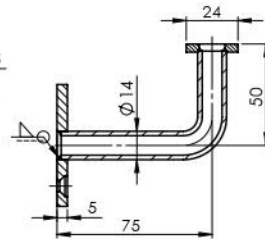
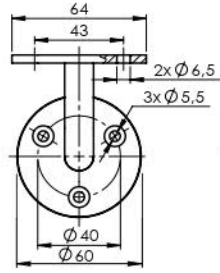


Quality	Finish	art.	
PVC	Black	A19/PD-LED	

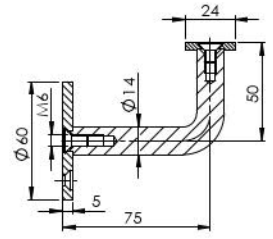




A14/0112-000-LED-B

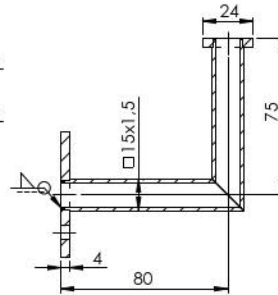
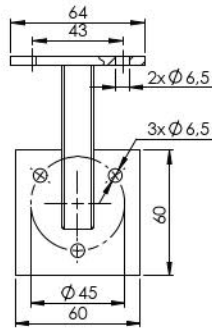


A14/0112-000-LED-B



...0112-000

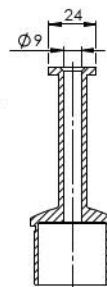
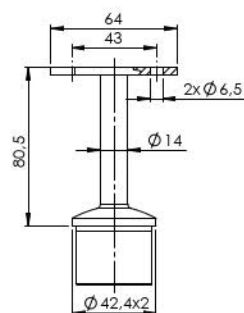
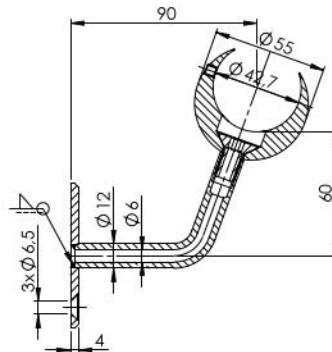
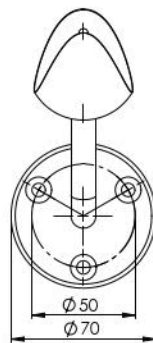
Quality	Finish	art.
AISI316		A14/0112-000-LED-B
AISI304	satın	A/0112-000
AISI316		A14/0112-000



Quality	Finish	art.
AISI304	satın	A/4111-000-LED



Quality	Finish	art.
AISI316	satın	A14/4114-042-LED

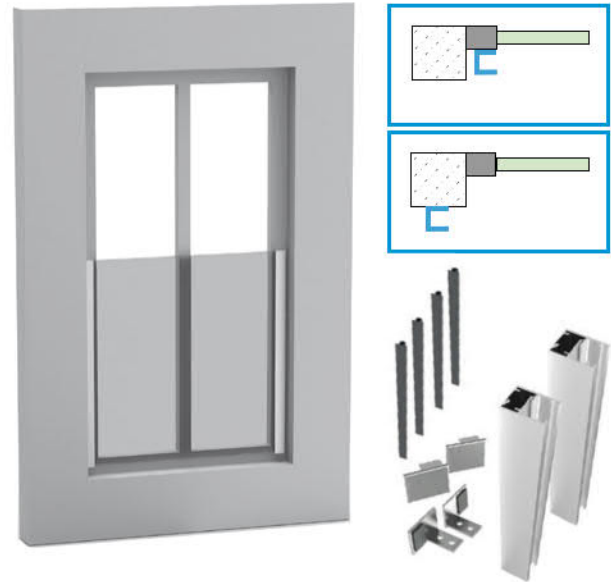
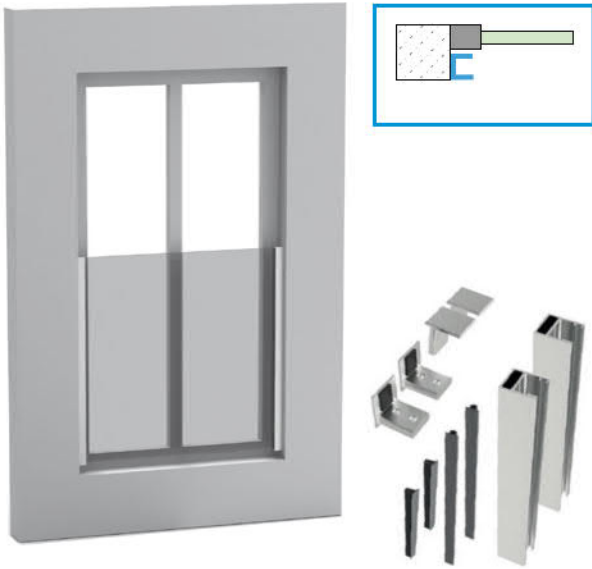


Quality	Finish	art.
AISI304	satın	A/0710-242-LED



7

JULIET BALCONY



Quality	Finish	Effect	art.	Glass t	L
ALUMINIUM	natural	silver	GS/FRB10-100-BK-N-E	10,76- 21,52	1000
			GS/FRB10-110-BK-N-E		1100
		RAL 7021	GS/FRB10-110-BK-ANTHRACIT		1200
		silver	GS/FRB10-100-BK-N-EB		1000
			GS/FRB10-110-BK-N-EB		1100
		black elox	GS/FRB10-120-BK-N-EB		1200

Quality	Finish	Effect	art.	Glass t	L
ALUMINIUM	natural	silver	GS/FRB10-100-ZK-N-E	10,76- 21,52	1000
			GS/FRB10-110-ZK-N-E		1100
		RAL 7021	GS/FRB10-110-ZK-ANTHRACIT		1200
		silver	GS/FRB10-100-ZK-N-EB		1000
			GS/FRB10-110-ZK-N-EB		1100
		black elox	GS/FRB10-120-ZK-N-EB		1200

*new
new
new
new
new
new*

*new
new
new
new
new
new*

Accessories

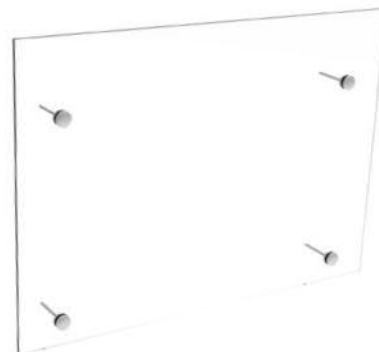
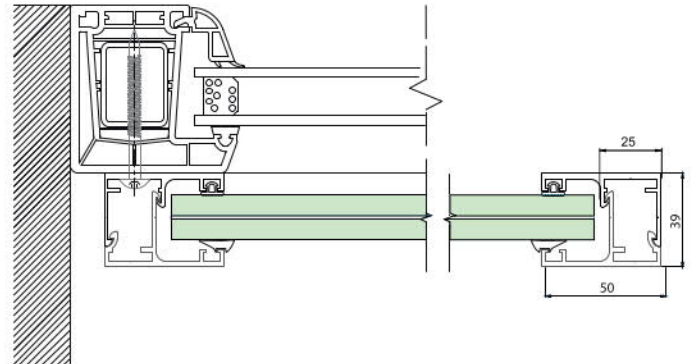
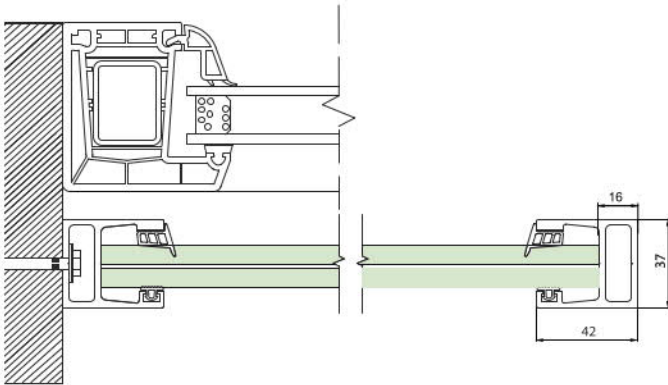


Quantity	1x pair	1x pair	1x pair	3x pair
----------	---------	---------	---------	---------

Accessories



Quantity	1x pair	1x pair	1x pair	3x pair
----------	---------	---------	---------	---------

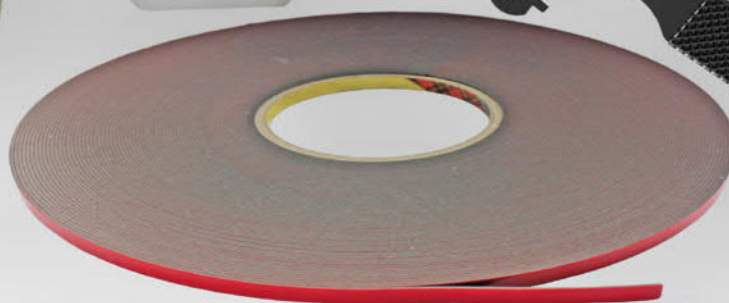


Quality	Finish	art.	Glass t	L
AISI304	satin	GS-304/FRB2-800x2500-040	8,76	2500
		GS-304/FRB2-800x2500-042		

Quality	Finish	art.	Glass t	Dimensions
AISI304	satin	GS/FRB1-140x100-12,76	12,76	1400x1000

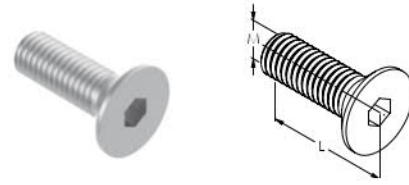
8

ACCESSORIES





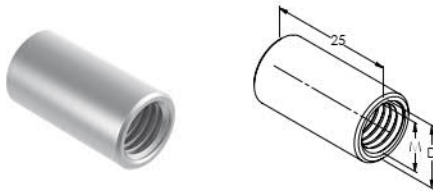
Quality	Finish	art.	M	L
AISI304	raw	A-DIN 914-A2 M5x5	5	5
		A-DIN 914-A2 M5x6	5	6
		A-DIN 914-A2 M5x8	5	8
		A-DIN 914-A2 M6x6	6	6
AISI316		A4-DIN 914 M5x5	5	5



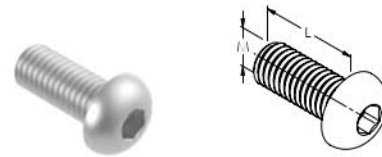
Quality	Finish	art.	M	L
steel 8.8	Zn	DIN 7991 M8x20-Zn	8	20
		DIN 7991 M12x30-Zn	12	30
AISI304	raw	A-DIN 7991-A2 M5x12	5	12
		A-DIN 7991-A2 M5x16	5	16
		A-DIN 7991-A2 M5x20	5	20
		A-DIN 7991-A2 M6x8	6	8
		A-DIN 7991-A2 M6x14	6	14
		A-DIN 7991-A2 M6x16	6	16
		A-DIN 7991-A2 M6x20	6	20
		A-DIN 7991-A2 M6x40	6	40
		A-DIN 7991-A2 M6x60	6	60
		A-DIN 7991-A2 M8x12	8	12
		A-DIN 7991-A2 M8x16	8	16
		A-DIN 7991-A2 M8x30	8	30
		A-DIN 7991-A2 M8x35	8	35
		A-DIN 7991-A2 M8x50	8	50
		A-DIN 7991-A2 M8x70	8	70
		A-DIN 7991-A2 M8x80	8	80
AISI316	raw	A4-DIN 7991 M5x16	5	16
		A4-DIN 7991 M6x14	6	14
		A4-DIN 7991 M6x40	6	40
		A4-DIN 7991 M8x20	8	20
		A4-DIN 7991 M8x30	8	30
		A4-DIN 7991 M8x70	8	70
		A4-DIN 7991 M8x100	8	100
		A4-DIN 7991 M10x20	10	20
		A4-DIN 7991 M12x30	12	30



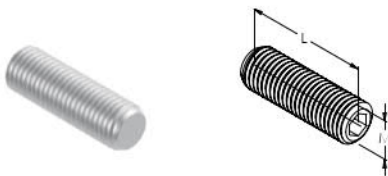
Quality	Finish	art.
AISI304	raw	A-DIN 916-A2 M10x14
AISI316		A4-DIN 916 M10x14



Quality	Finish	art.	M	D
AISI304	raw	A-DIN 6334V M8x25-A2	8	11
		A-DIN 6334V M10x25-A2	10	13



Quality	Finish	art.	M	L
steel 8.8	Zn	DIN 7380 M10x20 8.8-Zn	10	20
AISI304	raw	A-DIN 7380-A2 M5x12	5	12
		A-DIN 7380-A2 M6x12	6	12
		A-DIN 7380-A2 M8x10	8	10
		A-DIN 7380-A2 M8x12	8	12
		A-DIN 7380-A2 M8x20	8	20
		A-DIN 7380-A2 M10x20	10	20
AISI316	raw	A4-DIN 7380 M5x12	5	12
		A4-DIN 7380 M5x16	5	16
		A4-DIN 7380 M6x12	6	12
		A4-DIN 7380 M8x20	8	20
		A4-DIN 7380 M10x20	10	20



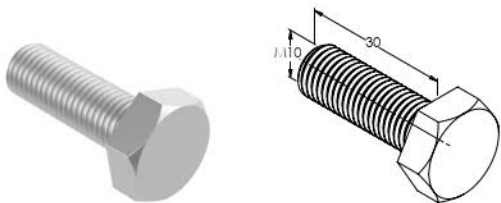
Quality	Finish	art.	M	L
AISI304	raw	A-DIN 913-A2 M5x10	5	10
		A-DIN 913-A2 M6x10	6	10
		A-DIN 913-A2 M6x12	6	12
		A-DIN 913-A2 M8x16	8	16
		A-DIN 913-A2 M8x20	8	20
		A-DIN 913-A2 M8x25	8	25
		A-DIN 913-A2 M8x30	8	30
		A-DIN 913-A2 M8x40	8	40
		A-DIN 913-A2 M8x80	8	80
		A-DIN 913-A2 M10x12	10	12
AISI316	raw	A4-DIN 913 M5x5	5	5
		A4-DIN 913 M5x10	5	10
		A4-DIN 913 M6x10	6	10
		A4-DIN 913 M10x12	10	12
		A4-DIN 913 M10x16	10	16
A4-DIN 913 M10x55	10	55		



Quality	Finish	art.	M	L	k
AISI304	raw	A-DIN 912-A2 M5x20	5	20	5
		A-DIN 912-A2 M8x20	8	20	8
		A-DIN 912-A2 M10x45	10	45	10
		A-DIN 912-A2 M12x25	12	25	12
AISI316	raw	A4-DIN 912-A2 M12x35	12	35	12
		A4-DIN 912-A2 M8x12	8	12	5

new
new
new

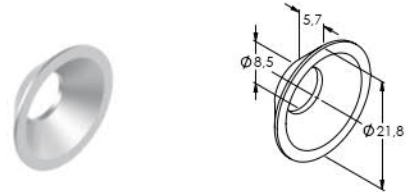
new
new



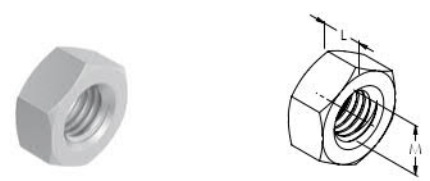
Quality	Finish	art.
steel 8.8	Zn	DIN 933 M10x30 8.8-Zn
AISI316	raw	A4-DIN 933 M10x30



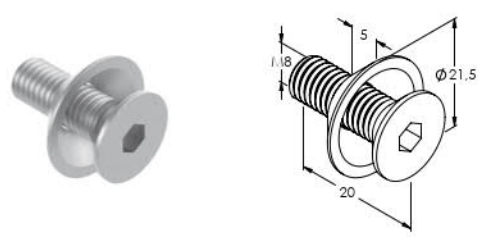
Quality	Finish	art.	M	L
AISI304	raw	A-DIN 917 M8	8	10
		A-DIN 917 M10	10	12



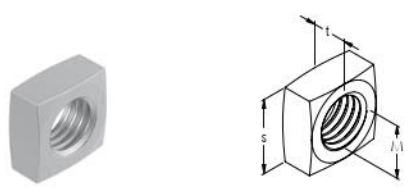
Quality	Finish	art.
AISI316	raw	A14/08-WASHER



Quality	Finish	art.	M	L
AISI304	raw	A-DIN 439B-A2 M8	8	4
		A-DIN 934 M8	8	6,5
		A-DIN 934 M10	10	8
		A-DIN 934 M12	12	10
		A-DIN 934 M16	16	13
AISI316		A4-DIN 439B M8	8	4
		A4-DIN 934 M10	10	8



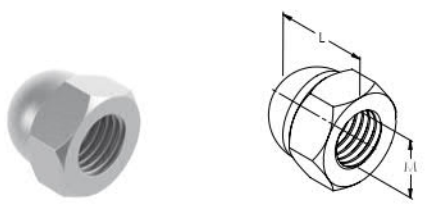
Quality	Finish	art.
steel 8.8	Zn	W-DIN 7991 M8x20-P
AISI316	raw	W-DIN 7991-A4 M8x20-P



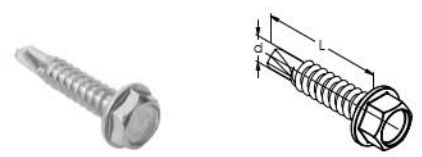
Quality	Finish	art.	M	s	t
AISI304	raw	A-DIN 562 M6	6	10	3,2
		A-DIN 562 M8	8	13	4
		A-DIN 562 M10	10	17	5



Quality	Finish	art.	D	d	t
steel	Zn	DIN 125 10-Zn	20		2
		DIN 9021 10-Zn	30	10	2,5
		WIT-SHB M8-Zn	23	9	
		WIT-SHB M10-Zn	26	12	5
		WIT-SHB M12-Zn	28	14	
AISI304	raw	A-DIN 125-A2 M5	10	5	1
		A-DIN 9021-A2 M8	30	8	2,5
		A-DIN 125-A2 M8	16	8	1,6
		A-DIN 125-A2 M10	20	10	2
		A-DIN 125-A2 M12	24	12	2,5
		A-DIN 433-A2 M12	20	12	
		A4-DIN 9021 M8	24	8,4	2
		A4-DIN 9021 M16	50	17	2,5
		A4-WIT-SHB M8	23	9	
		A4-WIT-SHB M10	26	12	5
A4-WIT-SHB M12	28	14			



Quality	Finish	art.	M	L
AISI304	raw	A-DIN 1587-A2 M6	6	12
		A-DIN 1587-A2 M8	8	15
		A-DIN 1587-A2 M10	10	18
		A-DIN 1587-A2 M12	12	22
AISI316		A4-DIN 1587 M10	10	18



Quality	Finish	art.	d	L
AISI304	raw	A-DIN 7504K 5,5x25	5,5	25

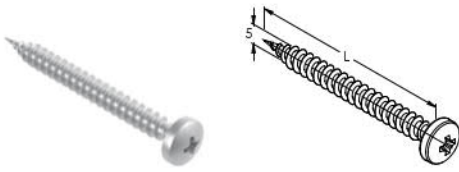
8
ACCESSORIES

new

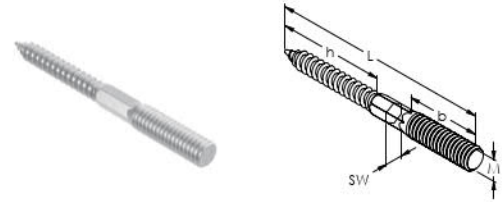
new new

new

new



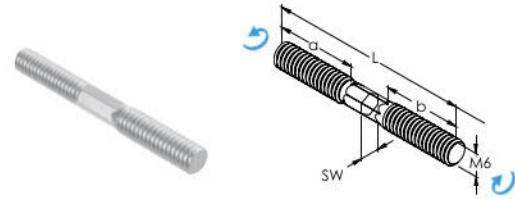
Quality	Finish	art.9	L
AISI304	raw	A-PH 5x20	20
		A-PH 5x35	35



Quality	Finish	art.	M	L	b	h	SW
AISI304	raw	A-DIN 9210 M6x60-A2	6	60	20	37	-
		A-DIN 9210 M8x60-A2	8	100	42	48	✓
		A-DIN 9210 M10x100-A2	10	100	30	57	✓
AISI316	raw	A4-DIN 9210 M6x100	6	100	-	-	✓
		A4-DIN 9210 M8x60	8	60	20	37	-
		A4-DIN 9210 M8x100	8	100	42	48	✓



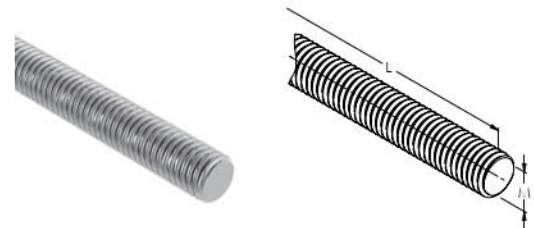
Quality	Finish	art.	L
AISI304	raw	A-DIN 7505A 5x20	20
		A-DIN 7505A 5x35	35



Quality	Finish	art.	M	L	a	b	SW
AISI316	raw	A4-DUAL M6/M6	6	65	30	30	✓
		A4-DUAL M10/M10	10	-	-	-	✓



Quality	Finish	art.
AISI304	raw	A-DIN 7337-A2 4,8x20



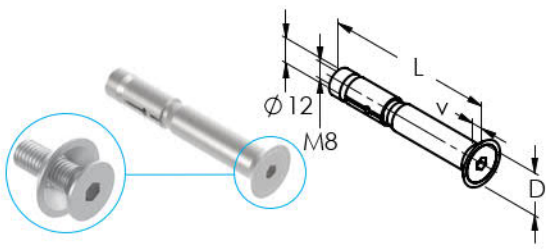
Quality	Finish	art.	M	L	ETA opt.1
steel 8.8	Zn	Q5/08-VM250-M10-...	10	-	✓
		Q5/08-VM250-M12-...	12	-	✓
AISI304	raw	A-DIN 975 M6	6	-	-
		A-DIN 975 M8	8	-	-
		A-DIN 975 M10	10	1000	-
		A-DIN 975 M12	12	-	-
		A-DIN 975 M16	16	-	-
AISI316	raw	A4-DIN 975 M10	10	-	-
		A5/08-VM250-M10-...-A4	10	-	✓
AISI304	raw	A5/08-VM250-M12-...-A4	12	-	✓
		A-DIN 975 M8-100	-	100	-
		A-DIN 975 M8-120	8	120	-
		A-DIN 975 M8-150	-	150	-
		A-DIN 975 M8-200	-	200	-
		A-DIN 975 M10-100	-	100	-
		A-DIN 975 M10-120	-	120	-
		A-DIN 975 M10-150	10	150	-
		A-DIN 975 M10-200	-	200	-
		A-DIN 975 M12-100	-	100	-
		A-DIN 975 M12-120	-	120	-
A-DIN 975 M12-150	12	150	-		
A-DIN 975 M12-200	-	200	-		



Quality	Finish	art.	M	L
AISI304	raw	A-FTT-M5	5	12
		A-FTT-M6	6	14
		A-FTT-M8	8	16,5
		A-FTT-M10	10	19

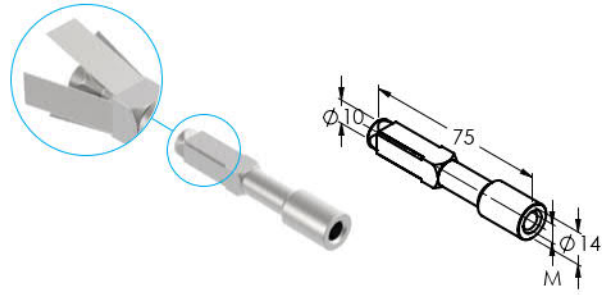


Quality	Finish	art.	M
steel	Zn	WOOD/M8-D	8
		WOOD/M10-D	10

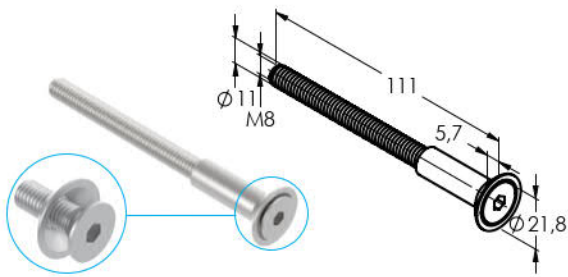


Quality	Finish	art.	L	D/v
steel	Zn	Q5/08-HAZ-M8-80SK/S	80	20,5/5
		Q5/08-FH12-50	125	22/5,8
		Q5/08-12-125		
AISI316	raw	A5/08-HAZ-M8-80SK/A4	80	20,5/5
		A5/08-12-125	125	22/5,8

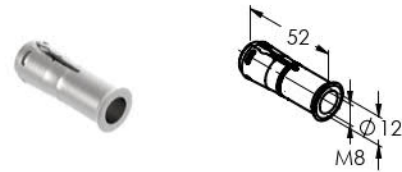
top new
new



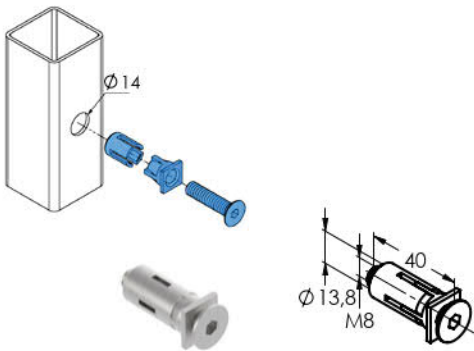
Quality	Finish	art.	M
steel	raw	Q11/FPX-M8	8
		Q11/FPX-M10	10



Quality	Finish	art.
AISI304	raw	A5/08-105x11xM8
AISI316		A14/08-105x11xM8



Quality	Finish	art.
steel	Zn	Q5/08-TNTR08-8x52



Quality	Finish	art.
steel	Zn	Q5/09-Quick-Fix QF5



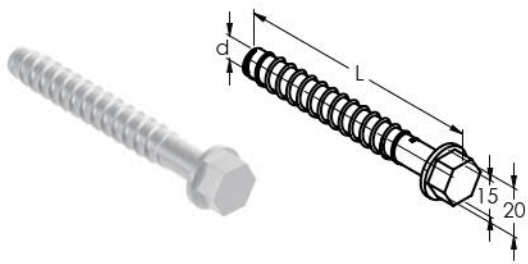
Quality	Finish	art.
steel	Zn	Q5/08-FAZ-IG-M10-70/S
AISI316	raw	A5/08-FAZ-IG-M10-70/A4



Quality	Finish	art.
PVC	raw	A19/04-PVC
	polish	A19/04-PVC-L
	black	A19/04-PVC-BLACK

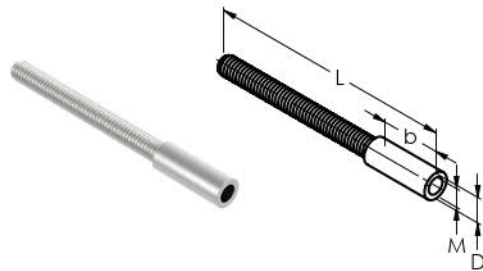


Quality	Finish	art.	D	d	L
NYLON	gray	Q5/07-8 NYLON	8	2,5-4	40
		Q5/07-10 NYLON	10	3-6	50
		Q5/07-12 NYLON	12	4-8	60



Quality	Finish	art.	d	L
steel 5.8	Zn	Q5/08-BS-S-10-90/S	10	90
AISI316	raw	A5/08-BS-S-10-90/A4		
steel 5.8	Zn	Q5/08-BS-S-12-110/S	12	110
AISI316	raw	A5/08-BS-S-12-110/A4		

new



Quality	Finish	art.	M	L	D	b
AISI304	raw	A19/27-M8	8	140	11	15
		A19/27-M10	10		13	
		A19/27-M12	12	130	15	25



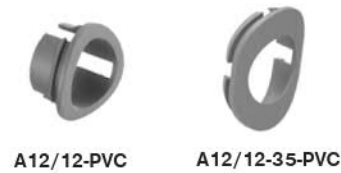
Quality	Finish	art.	M	L
steel	Zn	Q5/06-8x100CE	8	92
		Q5/06-10x120CE	10	120
	raw	Q5/08-FBN12-30	12	126
	Zn	Q5/06-16x123CE	16	123
		Q5/06-16x138CE	16	138
AISI304	raw	A-Q5/06-10x120CE	10	120



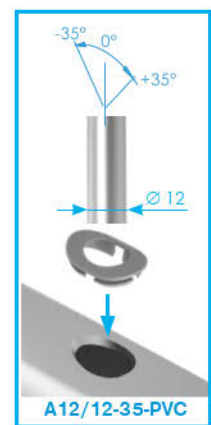
Quality	Finish	art.	M	L	d	D/v
steel	Zn	Q5/08-HAZ-M8-85S/S	8	85	12	20/7,5
	raw	Q5/08-FH15/25 S	10	89	15	25/9,5
	Zn	Q5/08-HAZ-M10-106S/S	10	106	15	25/9,5
AISI316	raw	A5/08-HAZ-M8-85S/A4	8	85	12	20/7,5
		A5/08-HAZ-M10-106S/A4	10	106	15	25/9,5

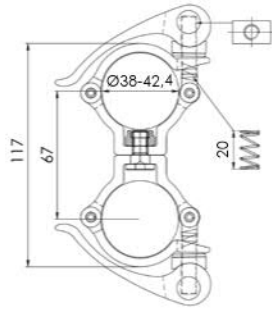


Quality	Finish	art.	M	L	D
steel 5.8	Zn	Q5/08-VHG-M8-100/S	8	100	12
		Q5/08-VHG-M10-80/S	10	80	16
		Q5/08-VHG-M12-125/S	12	125	20
AISI316	raw	A5/08-VHG-M8-100/A4	8	100	12
		A5/08-VHG-M10-80/A4	10	80	16
		A5/08-VHG-M12-125/A4	12	125	20

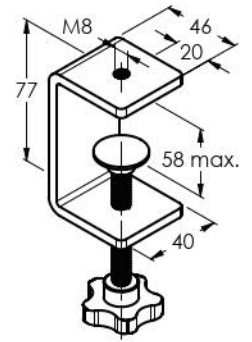


Quality	Finish	art.
PVC	raw	A12/12-PVC
		A12/12-35-PVC

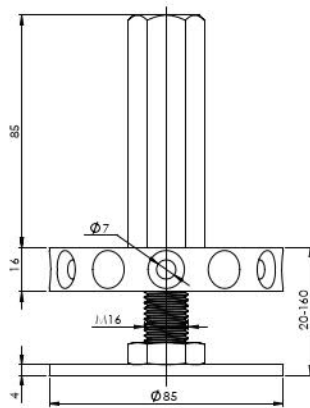




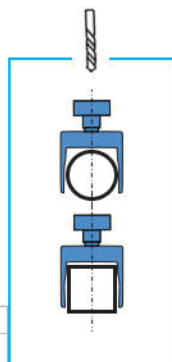
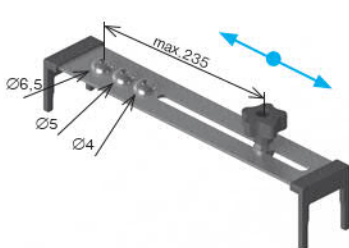
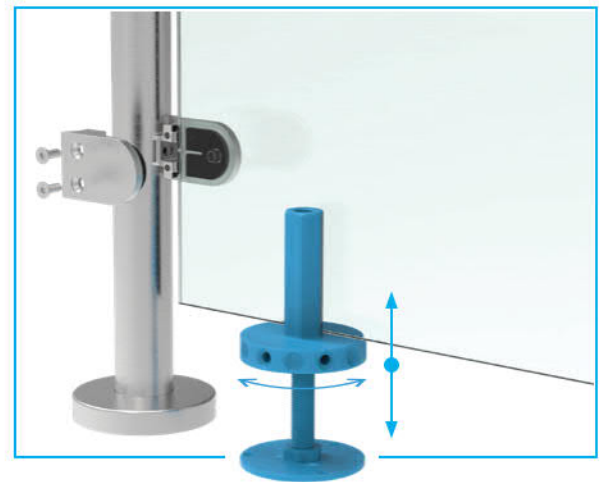
Quality	Finish	art.
ALUMINIUM	satın	AL/0792-3842



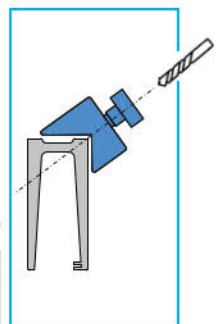
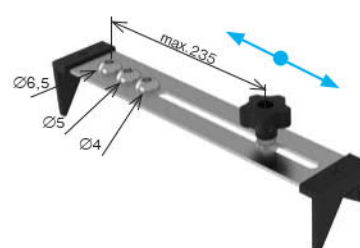
Quality	Finish	art.
AISI304	satın	A6/2xM8-77x40



Quality	Finish	art.	description
Fe	Zinc	MP/GLASS-01	glass mount on post railings



Quality	art.	Ø	∇
AISI304	A/40580-PLASTIC	42,4	40



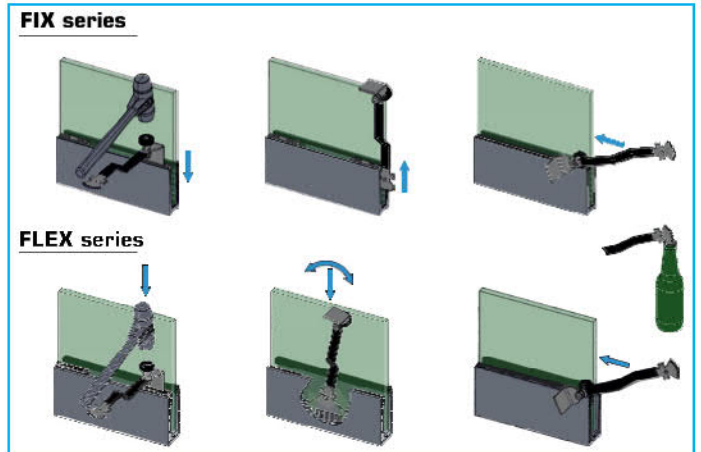
Quality	art.	compatibility
AISI304	A/40580-PLASTIC-V2	AL/0004... AL/0004-eco... AL/0004-PRO...

new



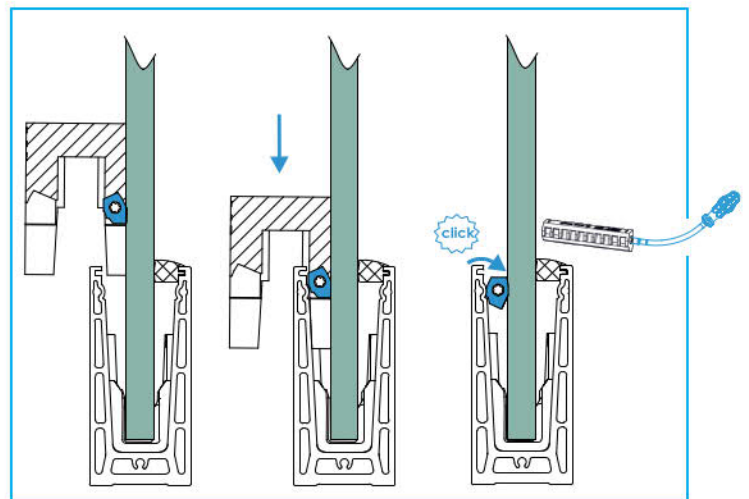
	art.
AL/glass-mont-PRO	

new



Quality	Finish	art.
PETG	gray	MP/excenter-mount

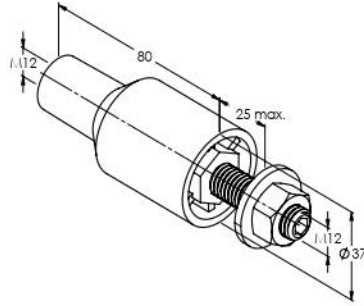
new



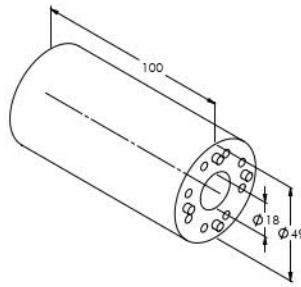
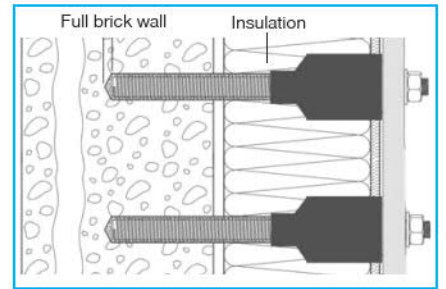
	art.	glass t
AL/GLASS-HOLDER		1-70mm



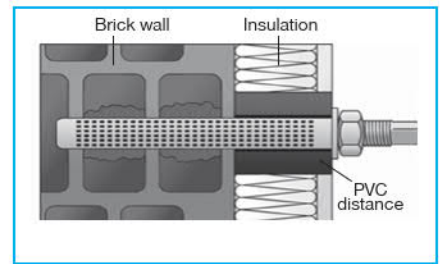
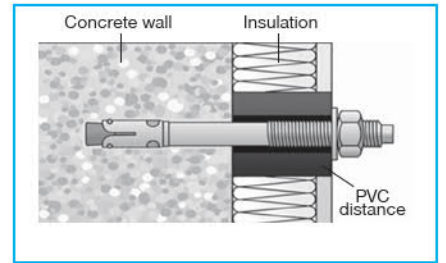
	art.	total length	ext. square
Q8/70-275-PRO		275mm	1/4"



Quality	Finish	art.	M
AISI304	raw	Q10/Therm-M12/M12	12-12
		Q10/Therm-mini-M10/M8	10-8

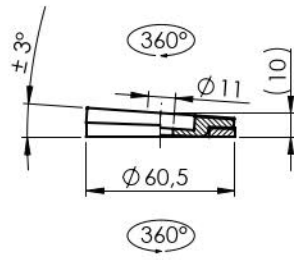


Quality	Finish	art.
PVC	black	A19/05-100



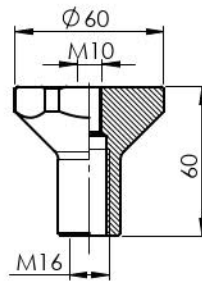
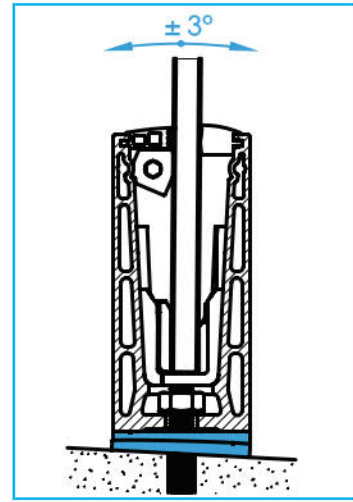
Quality	Finish	art.
PVC	black	MP/water-level

new



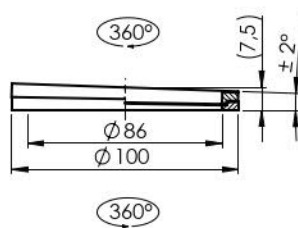
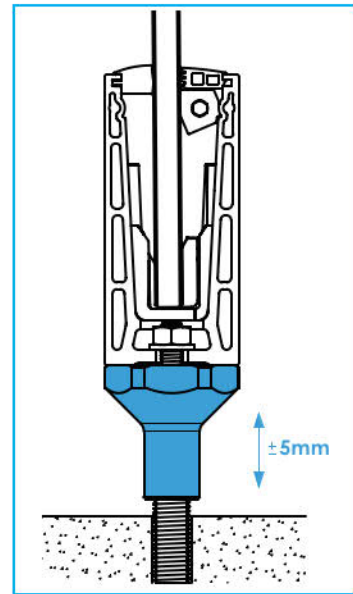
Quality	Finish	art.
AISI304	natural	Q10/ANGLE-0-3-60

new



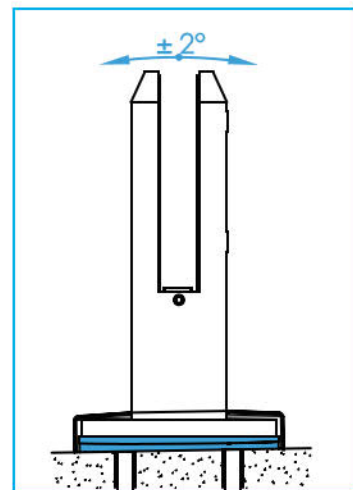
Quality	Finish	art.
AISI304	natural	Q10/60-M16/M10

new



Quality	Finish	art.
AISI304	natural	Q10/ANGLE-0-2-100

new





art.	ml	quality	description
Q5/01GF-300 Nordic			-20°C +10°C
Q5/01GF-400 Nordic		vinylester	
Q5/01GF-300			-10°C +30°C
Q5/01GF-400			

top



art.	ml	quality	description
Q5/01B-300			-10°C +40°C
Q5/01B-400		vinylester	-10°C +40°C
Q5/01B-400 Winter			-20°C +20°C

new



art.	ml	quality	description
Q5/01GFP-300			
Q5/01GFP-400		Polyester	-5°C +30°C



art.	ml	quality	description
Q5/05TR-310		Silicone	-5°C +40°C



art.	ml	quality	description
Q5/01-WIT-UH300...	320	uretan vinylester	-5°C +40°C
Q5/01-WIT-VM250...	300	vinylester	-10°C +40°C



Q5/04-250

art.	M	L
Q5/04	17	215
Q5/04-250	8	250

new



art.	description
Q5/03-300	300ml, hobby



art.	description
Q5/03-400	400ml, profi



art.	description
Q5/01-16x130	mesh



art.	description
Q5/02	blow pump



art.	t	b	L
Q9/03-3x12	3	12	16,5



art.	t	b	L
Q9/03-0,2x9	0,2	9	50
Q9/03-0,5x9	0,5	9	33
Q9/03-2x6	2	6	16,5

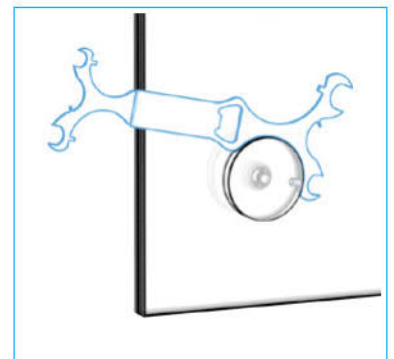
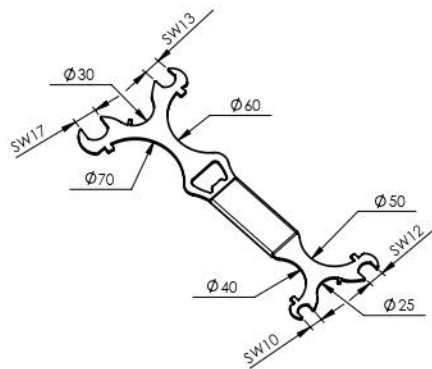
new



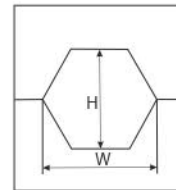
art.	∅	description
Q1/B02-INOX	3-45	Pipe cutting



art.	compatibility
Q1/B02-INOX-RK	Q1/B02-INOX



Quality	Finish	art.
AISI304	raw	A19/model741-8



art.	Mould size	W	H
Q8/95	4	4	3
	6	5	3,5
	8	6	4,5
	10	6,5	5,4
	16	7,3	6,4
	25	9	7,4
	35	11	9,2
	50	13	10,8
70	15	12,6	



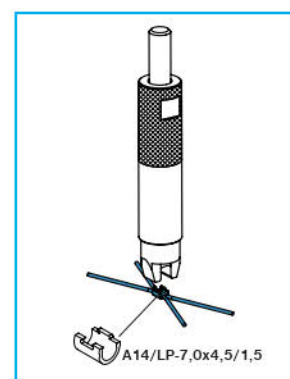
art.	description	operation
Q8/LP-7x4,5	riveting punch	2 steps

new



art.	description	operation
Q8/LP-7x4,5-B	riveting punch	1 step

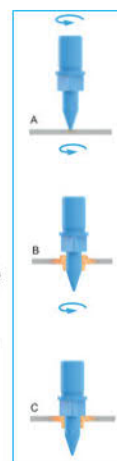
new



Quality	art.	M	Ø
HSS-CO5	A-DRILL-M5	5	4
	A-DRILL-M6	6	4,8
	A-DRILL-M8	8	6,4



Quality	art.	M
HSSE	A/FDRILL-M5C	5
	A/FDRILL-M6C	6
	A/FDRILL-M8C	8
	A/FDRILL-M10C	10



art.	description	ml
J08/08	cutting/drilling oil	400

new



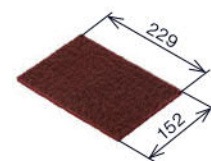
art.	description
Q1/RN01-125x1	cutting disc
Q1/RN01-150x1,6	
Q1/RN01-230x2	

top new



art.	description
Q1/L01-125-40	flap disc
Q1/L01-125-60	
Q1/L01-125-80	
Q1/L01-125-120	

new



art.	granularity
Q1/G01	360



Q/INOX-INSTALL-SET



Q/INOX-INSTALL-SET-B

new

art.								
Q/INOX-INSTALL-SET	1x	-	-	1x	1x	1x	1x	1x
Q/INOX-INSTALL-SET-B	-	1x	1x	2x	2x	1x	1x	2x



art.	g	gap	description
A/Glue-10g-C	10	0,2	INOX



art.	g	gap	description
A/Glue-20g	20	0,2	all purpose superfast



art.	g	gap	description
A/GLUE-50g-C	50	0,2	INOX
A/GLUE-50g-D		0,4	INOX



new

art.	ml	description
Q5/05-MAMUT	290	instant fix



new

art.	ml
GS/Cleaner-Glass	200



new

art.	ml
GS/Cleaner-Metal	200



A/ACTIVATOR



CA/ACTIVATOR



CA/LAK

art.	g	description
A/ACTIVATOR-50g	50	for A/Glue..
CA/ACTIVATOR	1000	corten effect
CA/LAK		lacquer for corten

*new
new
new*



art.	ml	description
A/spray-WS	400	INOX

top



art.	ml	description
A/Cleaner-500ml	500	INOX



Art.
PNL/G04-23x15-BOX

new



Art.
PNL/G04-23x15

new



Art.
PNL/G03-30x42



Art.
REK-CASE-ALU



Art.
REK-CASE-INOX3



Art.
GS/SAMPLE...



Art.
kat-Forged-2024/25



Art.
kat-Gates-2024/25



Art.
kat-Automations-2023/24



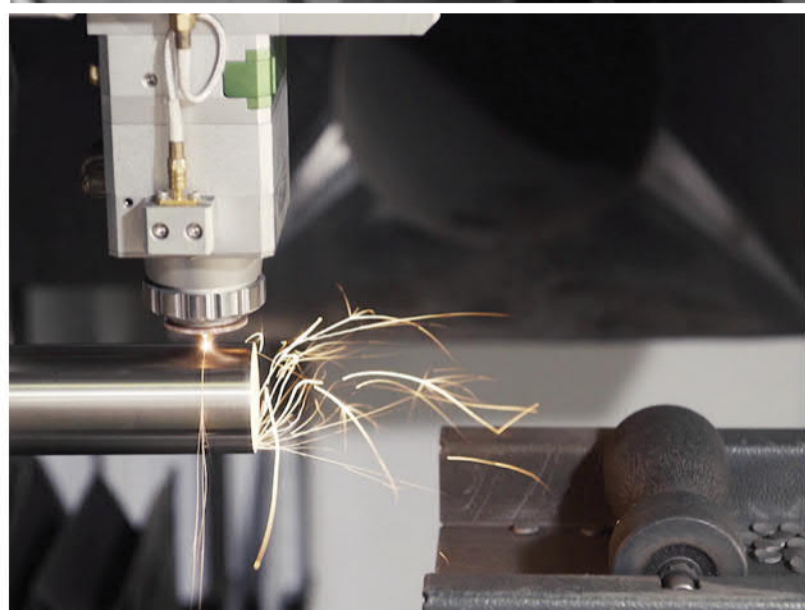
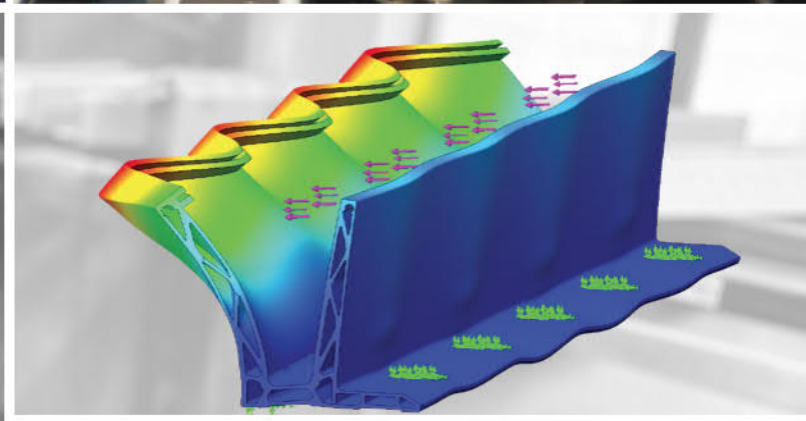
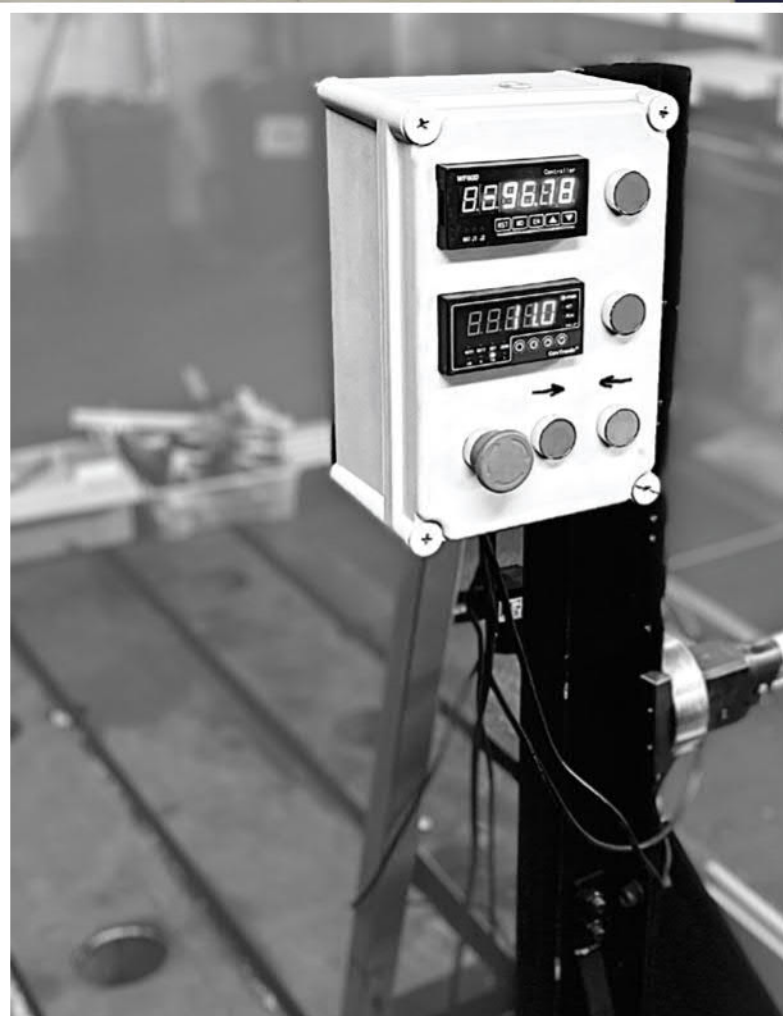
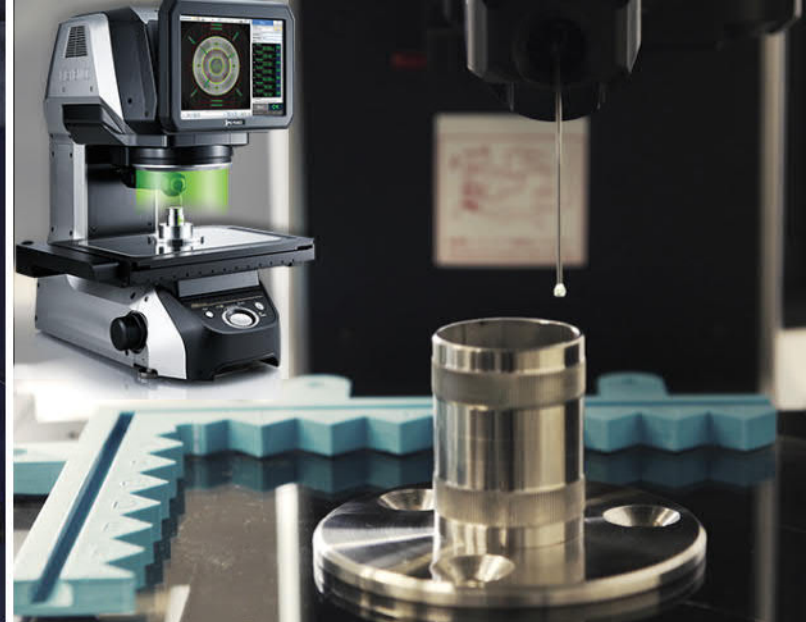
Art.
KAT-GLASS RAILINGS-2024/25



Art.
KAT-POST RAILINGS-2024/25



Art.
KAT-GLASS SYSTEMS-2024/25



INOX AISI304 ✓ AISI316 ✓ S.S. 2205 ✓ ALUMINIUM ✓ ZAMAK ✓	INOX AISI304 ✓ AISI316 ✓ S.S. 2205 ✓ ALUMINIUM ✓ ZAMAK ✗	INOX AISI304 ✗ AISI316 ✓ S.S. 2205 ✓ ALUMINIUM ✓ ZAMAK ✗
INOX AISI304 ✗ AISI316 ✓ S.S. 2205 ✓ ALUMINIUM ✓ ZAMAK ✗	INOX AISI304 ✗ AISI316* ✓ S.S. 2205 ✓ ALUMINIUM ✓ ZAMAK ✗	INOX AISI304 ✗ AISI316 ✗ S.S. 2205 ✓ ALUMINIUM ✗ ZAMAK ✗

* only mirror finish (polished)

AISI304	nerezová oceľ	stal nierdzewna	rozsdamentes acél	stainless steel	Edelstahl	INOX
AISI316						
S.S. 2205						
CORTEN	corten oceľ	corten stal	corten acél	corten steel	Cortenstahl	corten
ALUMINIUM	hliník	aluminium	aluminium	aluminium	Aluminium	aluminium
ZAMAK	zliatina Zn+Al	stop cynku i aluminium	Zn+Al ötvözet	ZAMAC	Zinkdruckguss	alliage Zn+Al
Fe	železo	želazo	vas	iron	Eisen	fer
Zn	zinok	cynk	cink	zinc	Zink	zinc
Brass	mosadz	miedź	sárgaréz	brass	Messing	laiton
PVC	polyvinyl chloride					
PETG	polyethylene terephthalate glycol					
Rubber	guma	guma	gumi	rubber	Gummi	gomme
Beech	buk	buk	bükk	beech	Buche	hêtre
Oak	dub	dąb	tölgy	oak	Eiche	chêne
Spruce	smrek	świerk	lucfenyő	spruce	Fichte	épicéa
VSG/ESG	sklo	szklo	üveg	glass	Glas	verre
satin	brus K320	szlif K320	szálciszolt K320	brushed K320	geschliffen K320	brossé K320
silver	strieborný	srebro	ezüst	silver	Silber	argent
polish	lesk	polerowany	tükör polírozott	polished	poliert	poli
raw	surový	surowy	nyers	raw	roh	brossé
natural	nebrúsený	neszlifovaný	natúr	rough	ungeschliffen	non-brossé
INOX	nerez	nierdzewny	rozsdamentes	inox	Edelstahl	inox
ELOX	eloxovaný	anodowany	eloxált	elox	Eloxiert	anodisé
	potrebné úpravy	niezbędne przystosowanie	szükséges módosítás	necessary modification	Anpassung ist notwendig	modification nécessaire
	nezmontované	niezłożone	nem összeszerelt	not assembled	unmontiert	non assemblé
\approx	približný rozmer	przybliżone wymiary	közeliítő méretek	approximate dimension	die Abmessungen sind ungefähr	dimensions approximatives
	bestseller	bestseller	legjobban eladott	best seller	Bestseller	best-seller
	novinka	nowość	új	new	Neuheit	nouveau
	RAL color					
	PVD = (physical vapor deposition) coating PVD-L = polished surface finish					
	LED					

- INOX AISI 304**
- vhodný do prostredia bez chlóru a oxidu siričitého
INOX AISI 316
- vhodný do prostredia s vysokým obsahom chlóru, oxidu siričitého, vysokej vlhkosti, do prímorských regiónov
INOX S.S. 2205- vhodný do prostredia s vysokým obsahom chlóru, oxidu siričitého, vysokej vlhkosti s prítomnosťou soli na pobreží a na voľnom mori.
- INOX AISI 304**
- suitable for the environment without chlorine and sulphur dioxide load
INOX AISI 316
- suitable for the environment with a high content of chlorine, sulphur dioxide load, high humidity, coastal regions
INOX S.S. 2205
- Suitable for environments with a high content of chlorine, sulfur dioxide, high humidity with salt on the coast and on the high seas.
- INOX AISI 304**
- przeznaczone dla środowiska bez dwutlenku siarki oraz chloru
INOX AISI 316
- przeznaczone dla środowiska o wysokiej zawartości dwutlenku siarki oraz chloru, wysokiej wilgotności oraz w regionach nadmorskie
INOX S.S. 2205
- Nadaje się do środowisk o wysokiej zawartości chloru, dwutlenku siarki, o wysokiej wilgotności, o dużym zasoleniu, w strefach nadmorskich, lub w bezpośrednim kontakcie z wodą morską.
- INOX AISI 304**
- alkalmazható olyan környezetben, ahol nincs klór és kén-dioxid terhelés
INOX AISI 316
- alkalmazható olyan környezetben, ahol magas a klór-, vagy kén-dioxid terhelés, magas a páratartalom, tengerparti régiókban
INOX S.S. 2205
- „Alkalmazható magas klór-, kén-dioxid-, sós nedvességtartalmú környezetben, valamint tengerparton és a nyílt tengeren”.
- INOX AISI 304**
- geeignet in Umgebung ohne Chlor und Schwefeldioxid
INOX AISI 316
- geeignet in Umgebung mit einem hohen Gehalt an Chlor, Schwefeldioxid oder in Umgebung mit hoher Luftfeuchtigkeit, in Küstenregionen
INOX S.S. 2205
- geeignet für Umgebungen mit hohem Gehalt an Chlor, Schwefeldioxid und hoher Luftfeuchtigkeit mit Salz an der Küste und auf hoher See
- INOX AISI 304**
- Convenable pour les environnements sans chlore et/ ou bioxyde de soufre
INOX AISI 316
- Convenable pour les environnements avec un contenu élevé de chlore et/ ou de bioxyde de soufre, une grande humidité, régions maritimes
INOX S.S. 2205
- Convenable au milieu avec un contenu élevé du dioxyde de soufre, ainsi qu'au milieu humide contenant du sel, tel que le bord de mer ou la mer ouverte.

TEST / CERTIFICATE						